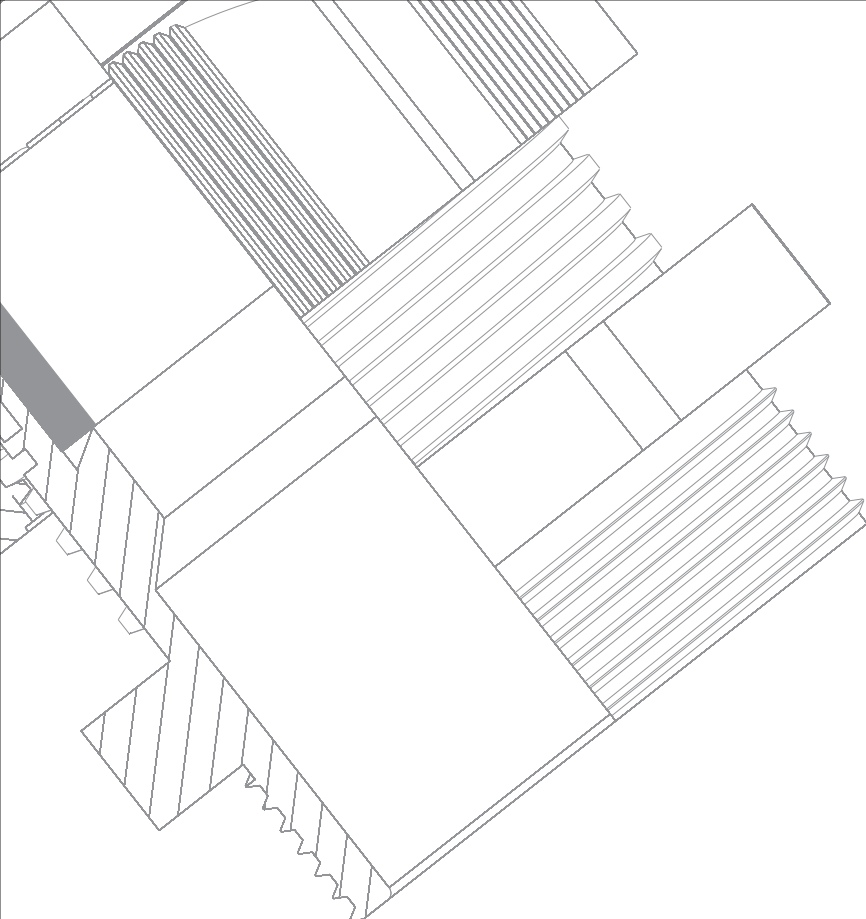


# 2016-2017 CATALOGUE



*Establish Safety Connection...*

**POLTECHNIK**

ELEKTROTECHNIKA PRZEMYSŁOWA



**ORTAC<sup>®</sup>**

*since 1969*



**Plastic Cable Glands & Accessories**



**Metal Cable Glands & Accessories**



**Industrial & Ex-proof Glands & Accs.**



**Protective Plastic & Metal  
Spiral Conduits & Accs.**

## Company Profile

The company was founded in 1969 by Mr. ORTAC who is the first industrially produced injection machine tools in Turkey.

Today Ortac produces plastic & metal cable glands and protective spiral conduits with accessories for different industries and markets: mechanical and system engineering, the automotive industry, railways, electrical and installations engineering, hazardous areas, lighting industry and more.

Ortac products are primarily designed, moulding and produced in the Ortac's own production plants in Istanbul.

We currently supply hundreds of standard items from stock. We also develop and produce customer oriented products as based on special requirements.

Ortac has more than 50 representatives companies in different part of the world, 15 injection machines, 8 cnc and other metal processing machines, tooling R&D and quality department employ over 80 people.



**Firma kurucumuz Mehmet Ortac  
1980'den bir kare...**

*Mehmet Ortac who is the founder of Ortac Cable Glands & Accessories.  
The picture was taken in 1980...*



**CNC torna tezgahı**

*CNC Lathe*

## Firma Profili

Firmamız 1969 yılında Türkiye de ilk endüstriyel enjeksiyon makine kalıplarını üretenlerden biri olan Mehmet Ortac tarafından kurulmuştur.

Bugün Ortaç farklı endüstriler ve pazarlar için plastik, metal kablo rakorları ve spiral boru ve aksesuarları üretip mekanik, sistem mühendisliği, otomotiv sanayi, raylı sistemler, elektrik ve tesisat mühendisliği, tehlikeli alanlar, aydınlatma endüstrisi ve daha fazla alanlara hizmet eder..

Tüm Ortaç ürünleri firmanın İstanbuldaki kendi üretim tesislerinde dizayn edilir, kalıplanır ve üretimi yapılır.

Ortaç firması ve ürünleri şuan itibariyle dünyanın farklı noktalarında 50'den fazla firma tarafından temsil edilmektedir. 15 enjeksiyon makinesi, 8 cnc ve diğer metal işleme makineleri, kalıphane, arge ve kalite departmanları ile 80'den fazla kişiye istihdam sağlamaktadır..



**Enjeksiyon Makineleri**

*Injection Machines*



**Corrugated boru makinesi**

*Corrugated conduits machines*

# INDEX

## Contents

## Page

### Plastic Cable Glands & Accessories

Standard type Metric - PG	4-5
Standard type PA V0 - UL94	6
Standard type with closed seal	7
Standard type with multihole or flat seal	8-9
Eurometric & reduced glands	10
Bending resistance glands	11-12
Din type glands	13
Din type with closed seal	14
Blind stops	15
Hexagonal locknuts	16
Hexagonal locknuts with collar	17
Protection accessories	18

### Plastic & Metal Ventilation Elements

Plastic & Metal Ventilation plugs	20
-----------------------------------	----

### Metal Cable Glands & Accessories

Standard type Metric - PG	22-23
Special long type	24
Stainless steel glands	25
Mini glands	26
EMC type glands	27
Standard type silicone seal&o-ring	28
Standard type with multihole or flat seal	29-30
XL type glands	31
Bending resistance glands	32
Flat type glands	33
Marine type armoured glands	34
Strain relief type glands	35
Blind stops	36
Hexagonal locknuts	37
Stainless steel locknuts	38
EMC locknuts	39
Reducers	40
Enlargers	41
Adapters	42

## Contents

## Page

### Ex-proof & Industrial Type Glands & Accessories

Ex-proof & Industrial glands part numbering	44
DCG Double Seal Armoured Glands	45
ACG Single Seal Armoured Glands	46
UAG Ex-proof Unarmoured Glands	47
UG Ex-proof Unarmoured Glands	48
AG Armoured Glands	49
Ex-proof Accessories Numbering	50
Stopper Plugs	51-53
Reducer & Adapters	54-57
Shrouds & Earth Tags	58-59
Liquid Tight Conduit Fitting	60

### Protective Plastic & Metal Spiral Conduits & Accessories

PA6-V2 Corrugated Conduits	62
PA6-V0 Corrugated Conduits	63
PA6 V2-V0 Slit Type Corrugated Conduits	64
PP Corrugated Conduits	65
PP Slit Type Corrugated Conduits	66
PVC Spiral Conduits	67
Plastic Metric conduit Glands	68
Plastic PG conduit Glands	69
Metric & PG 90° Elbow Conduit Glands	70
Conduit Glands with Cable Holder	71
Conduit Clips	72
Spiral Conduit Glands	73
Galvanised Steel Spiral Conduits	74
PVC Coated Galvanised Steel Conduits	75
Liquid Tight Conduits	76
Halogen Free Galvanised Steel Conduits	77
Steel Wire Overbraid Galvanised Conduits	78
Steel Wire Overbraid PVC Coated Galvanised Conduits	79
Steel Wire Overbraid Polyamide Conduits	80
Fixed & Swivel Liquid Tight Conduit Glands	81
Liquid Tight Conduit Glands with Cable Holder	82
Brass nickel plated Fixed Conduit Glands	83
Brass nickel plated Swivel Conduit Glands	84
Customized Solutions	85
Led Waterproof Connectors	86
Tubeglands	87
RJ-45 Glands	88
Socket Terminals	89

### Other Products

Screw Terminals & Wire Connector	91
Electrical Motor Accessories	92
DIN Rails	93
Protection Class Table	94

# INDEX

## Contents

## Page

### Plastic Cable Glands & Accessories

Standard type Metric - PG	4-5
Standard type PA V0 - UL94	6
Standard type with closed seal	7
Standard type with multihole or flat seal	8-9
Eurometric & reduced glands	10
Bending resistance glands	11-12
Din type glands	13
Din type with closed seal	14
Blind stops	15
Hexagonal locknuts	16
Hexagonal locknuts with collar	17
Protection accessories	18

### Plastic & Metal Ventilation Elements

Plastic & Metal Ventilation plugs	20
-----------------------------------	----

### Metal Cable Glands & Accessories

Standard type Metric - PG	22-23
Special long type	24
Stainless steel glands	25
Mini glands	26
EMC type glands	27
Standard type silicone seal&o-ring	28
Standard type with multihole or flat seal	29-30
XL type glands	31
Bending resistance glands	32
Flat type glands	33
Marine type armoured glands	34
Strain relief type glands	35
Blind stops	36
Hexagonal locknuts	37
Stainless steel locknuts	38
EMC locknuts	39
Reducers	40
Enlargers	41
Adapters	42

## Contents

## Page

### Ex-proof & Industrial Type Glands & Accessories

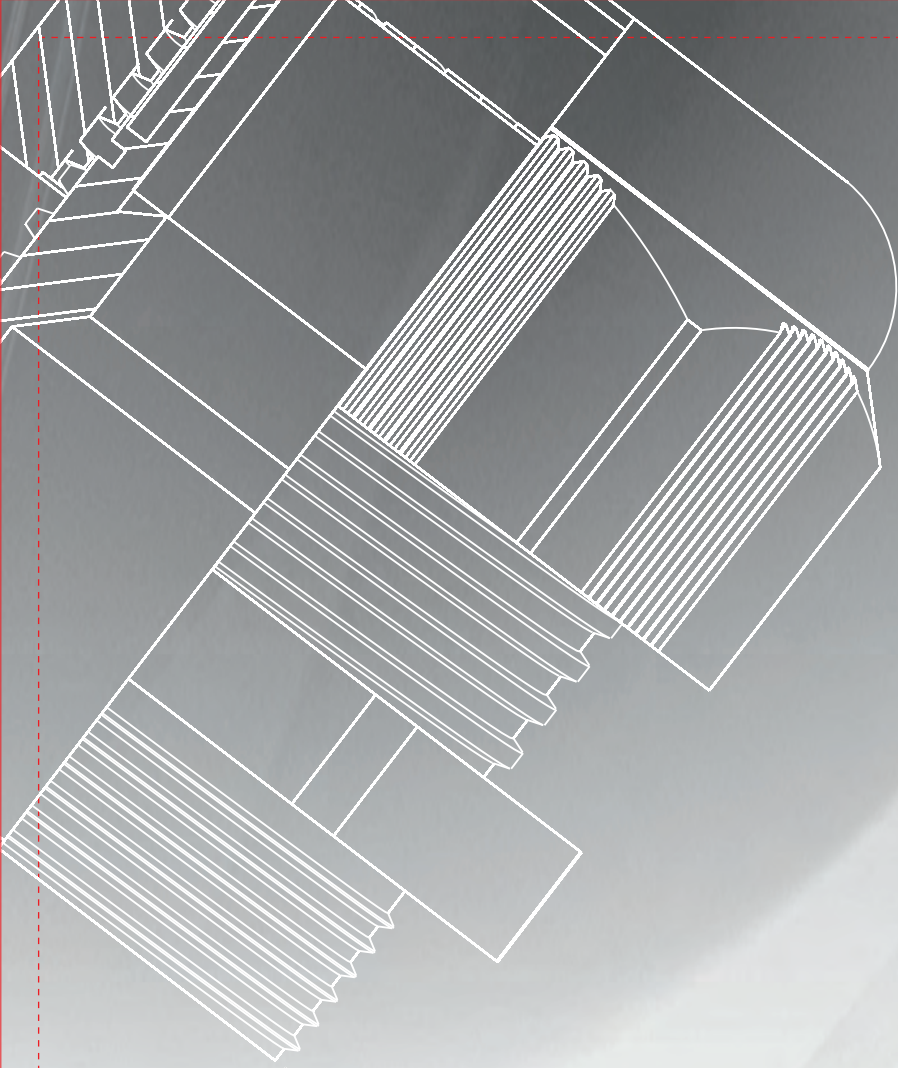
Ex-proof & Industrial glands part numbering	44
DCG Double Seal Armoured Glands	45
ACG Single Seal Armoured Glands	46
UAG Ex-proof Unarmoured Glands	47
UG Ex-proof Unarmoured Glands	48
AG Armoured Glands	49
Ex-proof Accessories Numbering	50
Stopper Plugs	51-53
Reducer & Adapters	54-57
Shrouds & Earth Tags	58-59
Liquid Tight Conduit Fitting	60

### Protective Plastic & Metal Spiral Conduits & Accessories

PA6-V2 Corrugated Conduits	62
PA6-V0 Corrugated Conduits	63
PA6 V2-V0 Slit Type Corrugated Conduits	64
PP Corrugated Conduits	65
PP Slit Type Corrugated Conduits	66
PVC Spiral Conduits	67
Plastic Metric conduit Glands	68
Plastic PG conduit Glands	69
Metric & PG 90° Elbow Conduit Glands	70
Conduit Glands with Cable Holder	71
Conduit Clips	72
Spiral Conduit Glands	73
Galvanised Steel Spiral Conduits	74
PVC Coated Galvanised Steel Conduits	75
Liquid Tight Conduits	76
Halogen Free Galvanised Steel Conduits	77
Steel Wire Overbraid Galvanised Conduits	78
Steel Wire Overbraid PVC Coated Galvanised Conduits	79
Steel Wire Overbraid Polyamide Conduits	80
Fixed & Swivel Liquid Tight Conduit Glands	81
Liquid Tight Conduit Glands with Cable Holder	82
Brass nickel plated Fixed Conduit Glands	83
Brass nickel plated Swivel Conduit Glands	84
Customized Solutions	85
Led Waterproof Connectors	86
Tubeglands	87
RJ-45 Glands	88
Socket Terminals	89

### Other Products

Screw Terminals & Wire Connector	91
Electrical Motor Accessories	92
DIN Rails	93
Protection Class Table	94



**PLASTIC CABLE GLANDS & ACCESSORIES**


**ORTAC PLASTIC CABLE GLANDS SERIES**

**TECHNICAL DETAILS**
**Material**

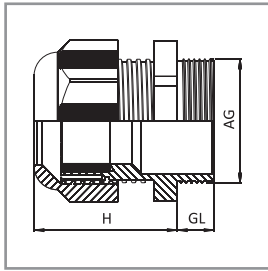
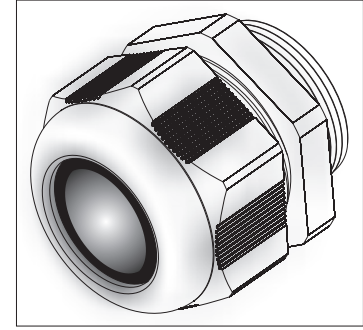
Cap nut	: Polyamide PA6 V2
Sealing ring	: TPV
Gland body	: Polyamide PA6 V2
Connection thread	: Metric (EN 60423)
Protection class	: IP68 - 5 bar
Temperature range	: -30 °C +80 °C +150 °C (short term)

**Properties**

Antivibration protection  
 UV resistance  
 Easy to assemble  
 EN 50262 VDE approval (40030037)  
 Halogen free

# POLYAMIDE CABLE GLANDS

## STANDARD TYPE METRIC




**ETANJ RAKOR**

Hammaddesi	: Polyamid PA6 V2
Renk	: RAL 7001 (Gri) RAL 7035 (Açık Gri) RAL 9005 (Siyah)
Bağlantı Dişi M	: EN 60423
Koruma sınıfı	: IP 68 5 bar
Sürekli ısıya direnci	: - 30 °C + 80 °C
Kısa süreli ısıya direnci	: +150 °C
Conta	: Termoplastik vulkanize TPV



\* Red (RAL 3020) and White (RAL 9010) colours are available

**METRIC THREAD CABLE GLANDS**

AG Thread	Gray Code ■ RAL 7001	L. Gray Code ■ RAL 7035	Black Code ■ RAL 9005	H mm	GL mm	 mm	 mm
M 12 x 1,5	OMRG 01	OMRL 01	OMRB 01	24	8	15	3 - 6,5
M 16 x 1,5	OMRG 02	OMRL 02	OMRB 02	28	8	19	4 - 8
M 16 x 1,5	OMRG 03	OMRL 03	OMRB 03	29	10	22	5 - 10
M 20 x 1,5	OMRG 04RS	OMRL 04RS	OMRB 04RS	29	10	24	4 - 10
M 20 x 1,5	OMRG 04	OMRL 04	OMRB 04	29	10	24	6 - 12
M 20 x 1,5	OMRG 05	OMRL 05	OMRB 05	33	10	27	10 - 14
M 25 x 1,5	OMRG 06	OMRL 06	OMRB 06	38	10	33	13 - 18
M 32 x 1,5	OMRG 07	OMRL 07	OMRB 07	41	10	42	18 - 25
M 40 x 1,5	OMRG 08	OMRL 08	OMRB 08	51	10	53	22 - 32
M 50 x 1,5	OMRG 09	OMRL 09	OMRB 09	53	18	60	30 - 38
M 63 x 1,5	OMRG 10	OMRL 10	OMRB 10	55	18	70	34 - 44

**LONG METRIC CABLE GLANDS**

M 12 x 1,5	OMRG 01L	OMRL 01L	OMRB 01L	24	15	15	3 - 6,5
M 16 x 1,5	OMRG 11S	OMRL 11S	OMRB 11S	28	15	19	4 - 8
M 16 x 1,5	OMRG 11	OMRL 11	OMRB 11	29	15	22	5 - 10
M 20 x 1,5	OMRG 12RS	OMRL 12RS	OMRB 12RS	29	15	24	4 - 10
M 20 x 1,5	OMRG 12	OMRL 12	OMRB 12	29	15	24	6 - 12
M 20 x 1,5	OMRG 13	OMRL 13	OMRB 13	33	15	27	10 - 14
M 25 x 1,5	OMRG 14	OMRL 14	OMRB 14	38	15	33	13 - 18
M 32 x 1,5	OMRG 15	OMRL 15	OMRB 15	41	18	42	18 - 25
M 40 x 1,5	OMRG 16	OMRL 16	OMRB 16	51	18	53	22 - 32

PRODUCT RANGE OVERVIEW

IP 68

Halogen free

## ORTAC PLASTIC CABLE GLANDS SERIES

### TECHNICAL DETAILS

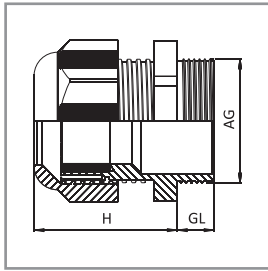
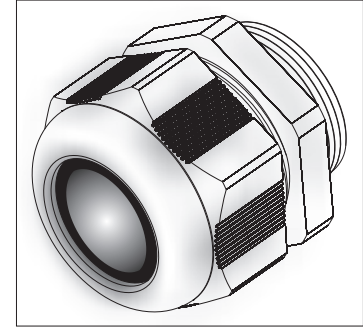
#### Material

Cap nut	: Polyamide PA6 V2
Sealing ring	: TPV
Gland body	: Polyamide PA6 V2
Connection thread	: PG (DIN 40430)
Protection class	: IP68 - 5 bar
Temperature range	: -30 °C +80 °C +150 °C (short term)

#### Properties

Antivibration protection
UV resistance
Easy to assemble
Halogen free

## POLYAMIDE CABLE GLANDS STANDARD TYPE PG



### ETANJ RAKOR

Hammaddesi	: Polyamid PA6 V2
Renk	: RAL 7001 (Gri) RAL 7035 (Açık Gri) RAL 9005 (Siyah)
Bağlantı Dişi PG	: DIN 40430
Koruma sınıfı	: IP 68 5 bar
Sürekli ısıya direnci	: -30 °C + 80 °C
Kısa süreli ısıya direnci	: +150 °C
Conta	: Termoplastik vulkanize TPV



■ RAL 7001 ■ RAL 7035 ■ RAL 9005

\* Red (RAL 3020) and White (RAL 9010) colours are available

### PG THREAD CABLE GLANDS

AG Thread	Gray Code ■ RAL 7001	L. Gray Code ■ RAL 7035	Black Code ■ RAL 9005	H mm	GL mm	mm	mm
PG 7	ORG 01	ORL 01	ORB 01	24	8	15	3 - 6,5
PG 9	ORG 02	ORL 02	ORB 02	28	8	19	4 - 8
PG 11	ORG 03	ORL 03	ORB 03	29	8	22	5 - 10
PG 13.5	ORG 04RS	ORL 04RS	ORB 04RS	29	9	24	4 - 10
PG 13.5	ORG 04	ORL 04	ORB 04	29	9	24	6 - 12
PG 16	ORG 05	ORL 05	ORB 05	33	9	27	10 - 14
PG 21	ORG 06	ORL 06	ORB 06	38	11	33	13 - 18
PG 29	ORG 07	ORL 07	ORB 07	41	11	42	18 - 25
PG 36	ORG 08	ORL 08	ORB 08	51	13	53	22 - 32
PG 42	ORG 09	ORL 09	ORB 09	53	13	60	30 - 38
PG 48	ORG 10	ORL 10	ORB 10	55	14	65	34 - 44

### LONG PG CABLE GLANDS

PG 7	ORGL 01	ORLL 01	ORBL 01	24	15	15	3 - 6,5
PG 9	ORGL 02	ORLL 02	ORBL 02	28	15	19	4 - 8
PG 11	ORGL 03A	ORLL 03A	ORBL 03A	29	11	22	5 - 10
PG 11	ORGL 03	ORLL 03	ORBL 03	29	15	22	5 - 10
PG 13.5	ORGL 04RS	ORLL 04RS	ORBL 04RS	29	15	24	4 - 10
PG 13.5	ORGL 04	ORLL 04	ORBL 04	29	15	24	6 - 12
PG 16	ORGL 05	ORLL 05	ORBL 05	33	15	27	10 - 14
PG 21	ORGL 06	ORLL 06	ORBL 06	38	15	33	13 - 18




**ORTAC PLASTIC CABLE GLANDS SERIES**

**TECHNICAL DETAILS**
**Material**

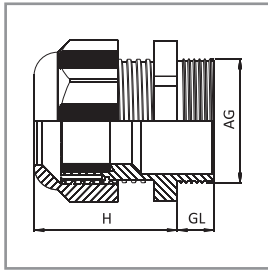
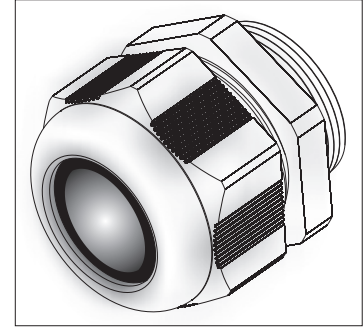
Cap nut	: Polyamide PA6 V0
Sealing ring	: TPV
Gland body	: Polyamide PA6 V0
Connection thread	: Metric (EN60423)/PG (DIN 40430)
Protection class	: IP68 - 5 bar
Temperature range	: -40 °C +100 °C +150 °C (short term)

**Properties**

Fire protection class V0 as per UL94  
 Antivibration protection  
 UV resistance  
 Easy to assemble  
 Halogen free

# POLYAMIDE CABLE GLANDS

V0 - UL94


**ETANJ RAKOR V0 - UL94**

Hammaddesi	: Polyamid V0 - UL94
Renk	: RAL 7001 (Gri) RAL 7035 (Açık Gri) RAL 9005 (Siyah)
Bağlantı Dişi M	: EN 60423
Bağlantı Dişi PG	: DIN 40430
Koruma sınıfı	: IP 68 5 bar
Sürekli ısıya direnci	: - 40 °C + 100 °C
Kısa süreli ısıya direnci	: +150 °C
Conta	: Termoplastik vulkanize TPV


**METRIC/PG THREAD CABLE GLANDS**

AG Thread	Gray Code		Black Code	H mm	GL mm	mm	mm
	■ RAL 7001	■ RAL 7035	■ RAL 9005				
M 12 x 1,5	OMRGV 01	OMRLV 01	OMRBV 01	24	8	15	3 - 6,5
M 16 x 1,5	OMRGV 02	OMRLV 02	OMRBV 02	28	8	19	4 - 8
M 16 x 1,5	OMRGV 03	OMRLV 03	OMRBV 03	29	10	22	5 - 10
M 20 x 1,5	OMRGV 04RS	OMRLV 04RS	OMRBV 04RS	29	10	24	4 - 10
M 20 x 1,5	OMRGV 04	OMRLV 04	OMRBV 04	29	10	24	6 - 12
M 20 x 1,5	OMRGV 05	OMRLV 05	OMRBV 05	33	10	27	10 - 14
M 25 x 1,5	OMRGV 06	OMRLV 06	OMRBV 06	38	10	33	13 - 18
M 32 x 1,5	OMRGV 07	OMRLV 07	OMRBV 07	41	10	42	18 - 25
M 40 x 1,5	OMRGV 08	OMRLV 08	OMRBV 08	51	10	53	22 - 32
M 50 x 1,5	OMRGV 09	OMRLV 09	OMRBV 09	53	18	60	30 - 38
M 63 x 1,5	OMRGV 10	OMRLV 10	OMRBV 10	55	18	70	34 - 44
PG 7	ORGV 01	ORLV 01	ORBV 01	24	8	15	3 - 6,5
PG 9	ORGV 02	ORLV 02	ORBV 02	28	8	19	4 - 8
PG 11	ORGV 03	ORLV 03	ORBV 03	29	8	22	5 - 10
PG 13,5	ORGV 04RS	ORLV 04RS	ORBV 04RS	29	9	24	4 - 10
PG 13,5	ORGV 04	ORLV 04	ORBV 04	29	9	24	6 - 12
PG 16	ORGV 05	ORLV 05	ORBV 05	33	9	27	10 - 14
PG 21	ORGV 06	ORLV 06	ORBV 06	38	11	33	13 - 18
PG 29	ORGV 07	ORLV 07	ORBV 07	41	11	42	18 - 25
PG 36	ORGV 08	ORLV 08	ORBV 08	51	13	53	22 - 32
PG 42	ORGV 09	ORLV 09	ORBV 09	53	13	60	30 - 38
PG 48	ORGV 10	ORLV 10	ORBV 10	55	14	65	34 - 44

\* Long thread cable glands are also available.

PRODUCT RANGE OVERVIEW

IP 68

Halogen free



## ORTAC PLASTIC CABLE GLANDS SERIES

### TECHNICAL DETAILS

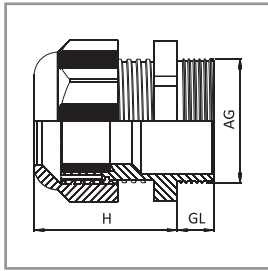
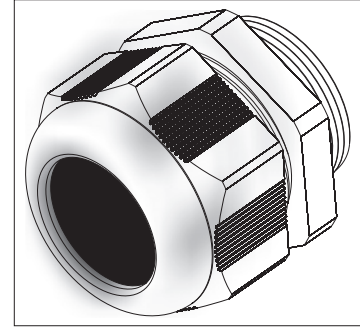
#### Material

Cap nut	: Polyamide PA6 V2
Sealing ring	: TPV special seal for dust resistance
Gland body	: Polyamide PA6 V2
Connection thread	: Metric (EN 60423)/PG (DIN 40430)
Protection class	: IP68 - 5 bar
Temperature range	: -30 °C +80 °C +150 °C (short term )

#### Properties

Dust resistance with special seal  
Antivibration protection  
UV resistance  
Easy to assemble  
Halogen free

## POLYAMIDE CABLE GLANDS CLOSED SEAL



### KAPALI CONTALI ETANJ RAKOR

Hammaddesi	: Polyamid PA6 V2
Renk	: RAL 7001 (Gri) RAL 7035 (Açık Gri) RAL 9005 (Siyah)
Bağlantı Dişi M	: EN 60423
Bağlantı Dişi PG	: DIN 40430
Koruma sınıfı	: IP 68 5 bar
Sürekli ısıya direnci	: - 30 °C + 80 °C
Kısa süreli ısıya direnci	: +150 °C
Conta	: Termoplastik vulkanize TPV



### METRIC/PG THREAD CABLE GLANDS

AG Thread	Gray Code ■ RAL 7001	L. Gray Code ■ RAL 7035	Black Code ■ RAL 9005	H mm	GL mm	mm	mm
M 12 x 1,5	KMRG 01	KMRL 01	KMRB 01	24	8	15	3 - 6,5
M 16 x 1,5	KMRG 02	KMRL 02	KMRB 02	28	8	19	4 - 8
M 16 x 1,5	KMRG 03	KMRL 03	KMRB 03	29	10	22	5 - 10
M 20 x 1,5	KMRG 04	KMRL 04	KMRB 04	29	10	24	6 - 12
M 20 x 1,5	KMRG 05	KMRL 05	KMRB 05	33	10	27	10 - 14
M 25 x 1,5	KMRG 06	KMRL 06	KMRB 06	38	10	33	13 - 18
M 32 x 1,5	KMRG 07	KMRL 07	KMRB 07	41	10	42	18 - 25
M 40 x 1,5	KMRG 08	KMRL 08	KMRB 08	51	10	53	22 - 32
M 50 x 1,5	KMRG 09	KMRL 09	KMRB 09	53	18	60	30 - 38
M 63 x 1,5	KMRG 10	KMRL 10	KMRB 10	55	18	70	34 - 44
PG 7	KRG 01	KRL 01	KRB 01	24	8	15	3 - 6,5
PG 9	KRG 02	KRL 02	KRB 02	28	8	19	4 - 8
PG 11	KRG 03	KRL 03	KRB 03	29	8	22	5 - 10
PG 13,5	KRG 04	KRL 04	KRB 04	29	9	24	6 - 12
PG 16	KRG 05	KRL 05	KRB 05	33	9	27	10 - 14
PG 21	KRG 06	KRL 06	KRB 06	38	11	33	13 - 18
PG 29	KRG 07	KRL 07	KRB 07	41	11	42	18 - 25
PG 36	KRG 08	KRL 08	KRB 08	51	13	53	22 - 32
PG 42	KRG 09	KRL 09	KRB 09	53	13	60	30 - 38
PG 48	KRG 10	KRL 10	KRB 10	55	14	65	34 - 44

PRODUCT RANGE OVERVIEW

IP 68

Halogen free

\* Long thread cable glands are also available.


**ORTAC PLASTIC CABLE GLANDS SERIES**

**TECHNICAL DETAILS**
**Material**

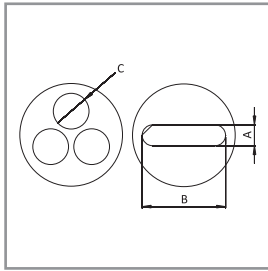
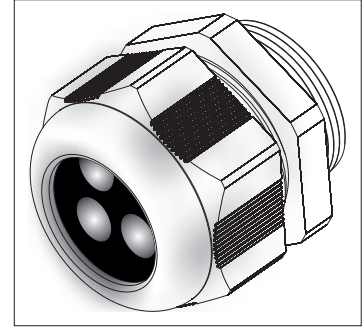
Cap nut	: Polyamide PA6 V2
Sealing ring	: TPV special seal for multi / flat cables
Gland body	: Polyamide PA6 V2
Connection thread	: Metric (EN 60423)
Protection class	: IP65
Temperature range	: -30 °C +80 °C +150 °C (short term)

**Properties**

For multi or flat cables  
 Antivibration protection  
 UV resistance  
 Easy to assemble  
 Halogen free

# POLYAMIDE CABLE GLANDS

## MULTIHOLE - FLATHOLE


**MULTİ ETANJ RAKOR**

Hammaddesi	: Polyamid PA6 V2
Renk	: RAL 7001 (Gri) RAL 7035 (Açık Gri) RAL 9005 (Siyah)
Bağlantı Dişi M	: EN 60423
Koruma sınıfı	: IP 65
Sürekli ısıya direnci	: - 30 °C + 80 °C
Kısa süreli ısıya direnci	: +150 °C
Conta	: Termoplastik vulkanize TPV


**METRIC THREAD CABLE GLANDS**
**PRODUCT RANGE OVERVIEW**

AG Thread	Gray Code ■ RAL 7001	L. Gray Code ■ RAL 7035	Black Code ■ RAL 9005	Number of holes mm	C mm
M 16 x 1,5	OMRG 02A3	OMRL 02A3	OMRB 02A3	2	3
M 16 x 1,5	OMRG 02B3	OMRL 02B3	OMRB 02B3	3	3
M 16 x 1,5	OMRG 02C3	OMRL 02C3	OMRB 02C3	4	3
M 16 x 1,5	OMRG 03A4	OMRL 03A4	OMRB 03A4	2	4
M 16 x 1,5	OMRG 03A5	OMRL 03A5	OMRB 03A5	2	5
M 16 x 1,5	OMRG 03B4	OMRL 03B4	OMRB 03B4	3	4
M 16 x 1,5	OMRG 03B5	OMRL 03B5	OMRB 03B5	3	5
M 20 x 1,5	OMRG 04A5	OMRL 04A5	OMRB 04A5	2	5
M 20 x 1,5	OMRG 04A6	OMRL 04A6	OMRB 04A6	2	6
M 20 x 1,5	OMRG 04B4	OMRL 04B4	OMRB 04B4	3	4
M 20 x 1,5	OMRG 04B5	OMRL 04B5	OMRB 04B5	3	5
M 20 x 1,5	OMRG 05A4	OMRL 05A4	OMRB 05A4	2	4
M 20 x 1,5	OMRG 05A7	OMRL 05A7	OMRB 05A7	2	7
M 20 x 1,5	OMRG 05B4	OMRL 05B4	OMRB 05B4	3	4
M 20 x 1,5	OMRG 05B6	OMRL 05B6	OMRB 05B6	3	6
M 20 x 1,5	OMRG 05C5	OMRL 05C5	OMRB 05C5	4	5
M 25 x 1,5	OMRG 06A8	OMRL 06A8	OMRB 06A8	2	8
M 25 x 1,5	OMRG 06A9	OMRL 06A9	OMRB 06A9	2	9
M 25 x 1,5	OMRG 06B5	OMRL 06B5	OMRL 06B5	5	6
M 25 x 1,5	OMRG 06B7	OMRL 06B7	OMRB 06B7	3	7
M 25 x 1,5	OMRG 06B8	OMRL 06B8	OMRB 06B8	3	8
M 25 x 1,5	OMRG 06C7	OMRL 06C7	OMRB 06C7	4	7
M 25 x 1,5	OMRG 06G3	OMRL 06G3	OMRB 06G3	8	3
M 25 x 1,5	OMRG 06G4	OMRL 06G4	OMRB 06G4	8	4
M 32 x 1,5	OMRG 07C9	OMRL 07C9	OMRB 07C9	4	9
M 32 x 1,5	OMRG 07O3	OMRL 07O3	OMRB 07O3	16	3
M 40 x 1,5	OMRG 08E8	OMRL 08E8	OMRB 08E8	6	8
FLATHOLE METRIC CABLE GLANDS				A / mm	B / mm
M 20 x 1,5	YMRG 05	YMRL 05	YMRB 05	7	13
M 25 x 1,5	YMRG 06	YMRL 06	YMRB 06	7	15
M 32 x 1,5	YMRG 07	YMRL 07	YMRB 07	8	22
M 40 x 1,5	YMRG 08	YMRL 08	YMRB 08	10	28
M 50 x 1,5	YMRG 09	YMRL 09	YMRB 09	12	33
M 63 x 1,5	YMRG 10	YMRL 10	YMRB 10	14	45

IP 65

Halogen free

## ORTAC PLASTIC CABLE GLANDS SERIES

### TECHNICAL DETAILS

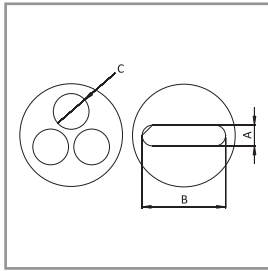
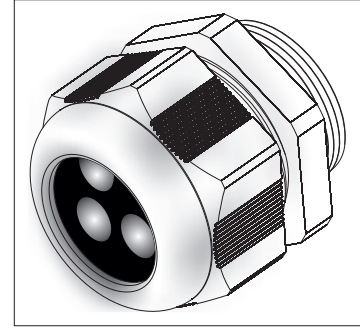
#### Material

Cap nut	: Polyamide PA6 V2
Sealing ring	: TPV special seal for multi & flat Cables
Gland body	: Polyamide PA6 V2
Connection thread	: PG (DIN 40430)
Protection class	: IP65
Temperature range	: -30 °C +80 °C +150 °C (short term)

#### Properties

For multi or flat cables  
Antivibration protection  
UV resistance  
Easy to assemble  
Halogen free

## POLYAMIDE CABLE GLANDS MULTIHOLE - FLATHOLE



### MULTİ ETANJ RAKOR

Hammaddesi	: Polyamid PA6 V2
Renk	: RAL 7001 (Gri) RAL 7035 (Açık Gri) RAL 9005 (Siyah)
Bağlantı Dişi PG	: DIN 40430
Koruma sınıfı	: IP 65
Sürekli ısıya direnci	: - 30 °C + 80 °C
Kısa süreli ısıya direnci	: +150 °C
Conta	: Termoplastik vulkanize TPV



### PG THREAD CABLE GLANDS

### PRODUCT RANGE OVERVIEW

AG Thread	Gray Code ■ RAL 7001	L. Gray Code ■ RAL 7035	Black Code ■ RAL 9005	Number of holes mm	C mm
PG 9	ORG 02A3	ORL 02A3	ORB 02A3	2	3
PG 9	ORG 02B3	ORL 02B3	ORB 02B3	3	3
PG 9	ORG 02C3	ORL 02C3	ORB 02C3	4	3
PG 11	ORG 03A4	ORL 03A4	ORB 03A4	2	4
PG 11	ORG 03A5	ORL 03A5	ORB 03A5	2	5
PG 11	ORG 03B4	ORL 03B4	ORB 03B4	3	4
PG 11	ORG 03B5	ORL 03B5	ORB 03B5	3	5
PG 13,5	ORG 04A5	ORL 04A5	ORB 04A5	2	5
PG 13,5	ORG 04A6	ORL 04A6	ORB 04A6	2	6
PG 13,5	ORG 04B4	ORL 04B4	ORB 04B4	3	4
PG 13,5	ORG 04B5	ORL 04B5	ORB 04B5	3	5
PG 16	ORG 05A4	ORL 05A4	ORB 05A4	2	4
PG 16	ORG 05A7	ORL 05A7	ORB 05A7	2	7
PG 16	ORG 05B4	ORL 05B4	ORB 05B4	3	4
PG 16	ORG 05B6	ORL 05B6	ORB 05B6	3	6
PG 16	ORG 05C5	ORL 05C5	ORB 05C5	4	5
PG 21	ORG 06A8	ORL 06A8	ORB 06A8	2	8
PG 21	ORG 06A9	ORL 06A9	ORB 06A9	2	9
PG 21	ORG 06B5	ORL 06B5	ORB 06B5	5	6
PG 21	ORG 06B7	ORL 06B7	ORB 06B7	3	7
PG 21	ORG 06B8	ORL 06B8	ORB 06B8	3	8
PG 21	ORG 06C7	ORL 06C7	ORB 06C7	4	7
PG 21	ORG 06G3	ORL 06G3	ORB 06G3	8	3
PG 21	ORG 06G4	ORL 06G4	ORB 06G4	8	4
PG 29	ORG 07C9	ORL 07C9	ORB 07C9	4	9
PG 29	ORG 07O3	ORL 07O3	ORB 07O3	16	3
PG 36	ORG 08E8	ORL 08E8	ORB 08E8	6	8
FLATHOLE PG CABLE GLANDS				A / mm	B / mm
PG 16	YRG 05	YRL 05	YRB 05	7	13
PG 21	YRG 06	YRL 06	YRB 06	7	15
PG 29	YRG 07	YRL 07	YRB 07	8	22
PG 36	YRG 08	YRL 08	YRB 08	10	28
PG 42	YRG 09	YRL 09	YRB 09	12	33
PG 48	YRG 10	YRL 10	YRB 10	14	45

IP 65

Halogen free


**ORTAC PLASTIC CABLE GLANDS SERIES**

**TECHNICAL DETAILS**
**Material**

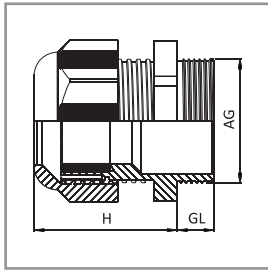
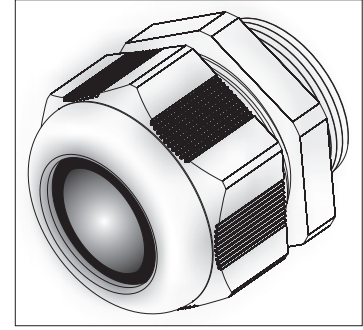
Cap nut	: Polyamide PA6 V2
Sealing ring	: TPV
Gland body	: Polyamide PA6 V2
Connection thread	: Metric (EN 60423)
Protection class	: IP68 - 5 bar
Temperature range	: -30 °C +80 °C +150 °C (short term)

**Properties**

For wide range of cables  
 Antivibration protection  
 UV resistance  
 Easy to assemble  
 Halogen free



# POLYAMIDE CABLE GLANDS

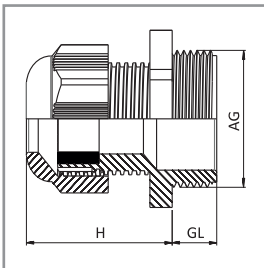
## EURO METRIC - REDUCED


**EUROMETRİK - REDÜKSİYON ETANJ RAKOR**

Hammaddesi	: Polyamid PA6 V2
Renk	: RAL 7001 (Gri) RAL 7035 (Açık Gri) RAL 9005 (Siyah)
Bağlantı Dişi M	: EN 60423
Koruma sınıfı	: IP 68 5 bar
Sürekli ısıya direnci	: - 30 °C + 80 °C
Kısa süreli ısıya direnci	: +150 °C
Conta	: Termoplastik vulkanize TPV


**EURO METRIC THREAD CABLE GLANDS**

AG Thread	Gray Code ■ RAL 7001	L. Gray Code ■ RAL 7035	Black Code ■ RAL 9005	H mm	GL mm	 mm	 mm
M 25 x 1,5	OMRG E6	OMRL E6	OMRB E6	35	10	29	11 - 17
M 25 x 1,5	OMRG E6-9	OMRL E6-9	OMRB E6-9	35	10	29	9-14
M 32 x 1,5	OMRG E7	OMRL E7	OMRB E7	40	10	36	15 - 21
M 40 x 1,5	OMRG E8	OMRL E8	OMRB E8	43	10	46	19 - 28
<b>LONG EURO METRIC CABLE GLANDS</b>							
M 25 x 1,5	OMRG E14	OMRL E14	OMRB E14	35	15	29	11 - 17
M 25 x 1,5	OMRG E14-9	OMRL E14-9	OMRB E14-9	35	15	29	9-14
M 32 x 1,5	OMRG E15	OMRL E15	OMRB E15	40	15	36	15 - 21
M 40 x 1,5	OMRG E16	OMRL E16	OMRB E16	43	15	46	19 - 28


**REDUCED METRIC CABLE GLANDS**

M 25 x 1,5	OMRG ES4	OMRL ES4	OMRB ES4	32	10	29	4 - 10
M 25 x 1,5	OMRG ES6	OMRL ES6	OMRB ES6	32	10	29	6 - 12
M 25 x 1,5	OMRG ES14	OMRL ES14	OMRB ES14	32	15	29	4-10
M 25 x 1,5	OMRG ES16	OMRL ES16	OMRB ES16	32	15	29	6-12

PRODUCT RANGE OVERVIEW

IP 68

Halogen free

## ORTAC PLASTIC CABLE GLANDS SERIES

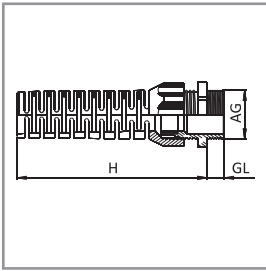
### TECHNICAL DETAILS

#### Material

Cap nut	: Polyamide PA6 V2
Sealing ring	: TPV
Gland body	: Polyamide PA6 V2
Connection thread	: Metric (EN 60423)
Protection class	: IP68 - 5 bar
Temperature range	: -30 °C +80 °C +150 °C (short term)

#### Properties

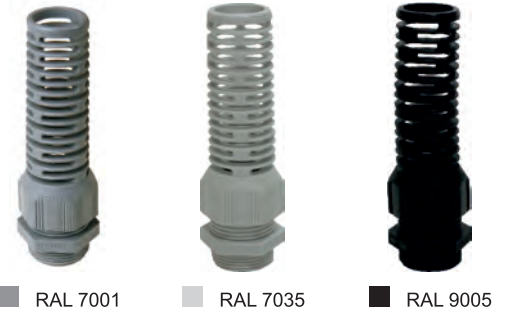
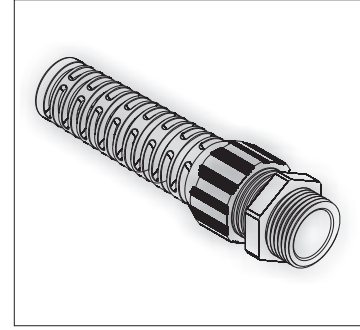
With spiral top for bend protection  
For highly movable flexible cables  
Antivibration protection  
UV resistance  
Easy to assemble  
Halogen free



### SPİRAL UÇLU ETANJ RAKOR

Hammaddesi	: Polyamid PA6 V2
Renk	: RAL 7001 (Gri) RAL 7035 (Açık Gri) RAL 9005 (Siyah)
Bağlantı Dişi M	: EN 60423
Koruma sınıfı	: IP 68 5 bar
Sürekli ısıya direnci	: - 30 °C + 80 °C
Kısa süreli ısıya direnci	: +150 °C
Conta	: Termoplastik vulkanize TPV

## POLYAMIDE CABLE GLANDS SPIRAL TYPE



### METRIC THREAD CABLE GLANDS

AG Thread	Gray Code ■ RAL 7001	L. Gray Code ■ RAL 7035	Black Code ■ RAL 9005	H mm	GL mm	mm	mm
M 12 x 1,5	OMRG 17	OMRL 17	OMRB 17	57	8	15	3 - 6,5
M 16 x 1,5	OMRG 18	OMRL 18	OMRB 18	70	8	19	4 - 8
M 16 x 1,5	OMRG 19	OMRL 19	OMRB 19	81	10	22	5 - 10
M 20 x 1,5	OMRG 20	OMRL 20	OMRB 20	89	10	24	6 - 12
M 20 x 1,5	OMRG 21	OMRL 21	OMRB 21	107	10	27	10 - 14
M 25 x 1,5	OMRG 22	OMRL 22	OMRB 22	124	10	33	13 - 18

### LONG METRIC CABLE GLANDS

M 12 x 1,5	OMRG 17L	OMRL 17L	OMRB 17L	57	15	15	3 - 6,5
M 16 x 1,5	OMRG 18L	OMRL 18L	OMRB 18L	70	15	19	4 - 8
M 16 x 1,5	OMRG 19L	OMRL 19L	OMRB 19L	81	15	22	5 - 10
M 20 x 1,5	OMRG 20L	OMRL 20L	OMRB 20L	89	15	24	6 - 12
M 20 x 1,5	OMRG 21L	OMRL 21L	OMRB 21L	107	15	27	10 - 14
M 25 x 1,5	OMRG 22L	OMRL 22L	OMRB 22L	124	15	33	13 - 18

PRODUCT RANGE OVERVIEW

IP 68

Halogen free

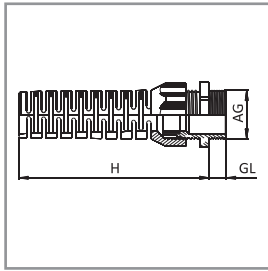

**ORTAC PLASTIC CABLE GLANDS SERIES**

**TECHNICAL DETAILS**
**Material**

Cap nut	: Polyamide PA6 V2
Sealing ring	: TPV
Gland body	: Polyamide PA6 V2
Connection thread	: PG (DIN 40430)
Protection class	: IP68 - 5 bar
Temperature range	: -30 °C +80 °C +150 °C (short term)

**Properties**

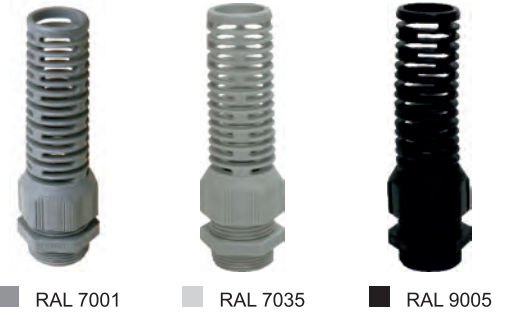
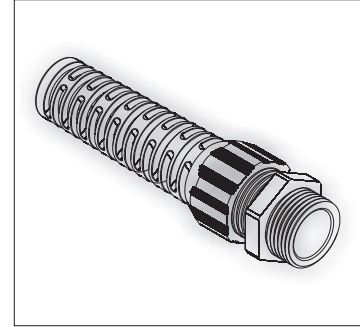
With spiral top for bend protection  
 For highly movable flexible cables  
 Antivibration protection  
 UV resistance  
 Easy to assemble  
 Halogen free


**SPİRAL UÇLU ETANJ RAKOR**

Hammaddesi	: Polyamid PA6 V2
Renk	: RAL 7001 (Gri) RAL 7035 (Açık Gri) RAL 9005 (Siyah)
Bağlantı Dişi PG	: DIN 40430
Koruma sınıfı	: IP 68 5 bar
Sürekli ısıya direnci	: - 30 °C + 80 °C
Kısa süreli ısıya direnci	: +150 °C
Conta	: Termoplastik vulkanize TPV

# POLYAMIDE CABLE GLANDS

## SPİRAL TYPE



## PG THREAD CABLE GLANDS

AG Thread	Gray Code ■ RAL 7001	L. Gray Code ■ RAL 7035	Black Code ■ RAL 9005	H mm	GL mm	mm	mm
PG 7	ORG 19	ORL 19	ORB 19	57	8	15	3 - 6,5
PG 9	ORG 20	ORL 20	ORB 20	70	8	19	4 - 8
PG 11	ORG 21	ORL 21	ORB 21	81	8	22	5 - 10
PG 13.5	ORG 22	ORL 22	ORB 22	89	9	24	6 - 12
PG 16	ORG 23	ORL 23	ORB 23	107	9	27	10 - 14
PG 21	ORG 24	ORL 24	ORB 24	124	11	33	13 - 18

IP 68

Halogen free

## LONG PG CABLE GLANDS

PG 7	ORG 19L	ORL 19L	ORB 19L	57	15	15	3 - 6,5
PG 9	ORG 20L	ORL 20L	ORB 20L	70	15	19	4 - 8
PG 11	ORG 21L	ORL 21L	ORB 21L	81	15	22	5 - 10
PG 13.5	ORG 22L	ORL 22L	ORB 22L	89	15	24	6 - 12
PG 16	ORG 23L	ORL 23L	ORB 23L	107	15	27	10 - 14
PG 21	ORG 24L	ORL 24L	ORB 24L	124	15	33	13 - 18

PRODUCT RANGE OVERVIEW

## ORTAC PLASTIC CABLE GLANDS SERIES

### TECHNICAL DETAILS

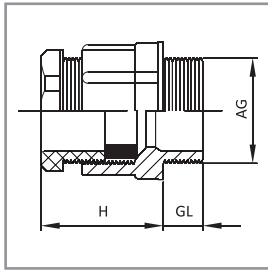
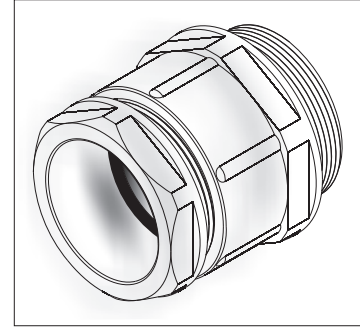
#### Material

Cap nut	: Polyamide PA6 V2 + 30% GF
Sealing ring	: TPV
Washer	: Polystyrene
Gland body	: Polyamide PA6 V2
Connection thread	: Metric (EN 60423)/PG (DIN 40430)
Protection class	: IP54
Temperature range	: -30 °C +80 °C +150 °C (short term)

#### Properties

UV resistance  
Halogen free

## POLYAMIDE CABLE GLANDS DIN TYPE



### DÜZ TİP RAKOR

Hammaddesi	: Polyamid PA6 V2
Renk	: RAL 7001 (Gri) RAL 7035 (Açık Gri) RAL 9005 (Siyah)
Bağlantı Dişi M	: EN 60423
Bağlantı Dişi PG	: DIN 40430
Koruma sınıfı	: IP 54
Sürekli ısıya direnci	: - 30 °C + 80 °C
Kısa süreli ısıya direnci	: +150 °C
Conta	: Termoplastik vulkanize TPV



### METRIC/PG THREAD CABLE GLANDS

AG Thread	Gray Code ■ RAL 7001	L. Gray Code ■ RAL 7035	Black Code ■ RAL 9005	H mm	GL mm	mm	mm
M 12 x 1,5	DMRG 01	DMRL 01	DMRB 01	21	8	15	3,5 - 6
M 16 x 1,5	DMRG 02	DMRL 02	DMRB 02	22	8	19	4,5 - 7
M 16 x 1,5	DMRG 03	DMRL 03	DMRB 03	22	8	22	6 - 9
M 20 x 1,5	DMRG 04	DMRL 04	DMRB 04	26	9	24	9 - 12
M 20 x 1,5	DMRG 05	DMRL 05	DMRB 05	28	10	27	11 - 14
M 25 x 1,5	DMRG 06	DMRL 06	DMRB 06	32	11	33	14 - 18
PG 7	ORG 11	ORL 11	ORB 11	21	8	15	3,5 - 6
PG 9	ORG 12	ORL 12	ORB 12	22	8	19	4,5 - 7
PG 11	ORG 13	ORL 13	ORB 13	22	8	22	6 - 9
PG 13.5	ORG 14	ORL 14	ORB 14	26	9	24	9 - 12
PG 16	ORG 15	ORL 15	ORB 15	28	10	27	11 - 14
PG 21	ORG 16	ORL 16	ORB 16	32	11	33	14 - 18
PG 29	ORG 17	ORL 17	ORB 17	35	11	42	18 - 25
PG 36	ORG 18	ORL 18	ORB 18	39	13	53	25 - 32

PRODUCT RANGE OVERVIEW

IP 54

Halogen free




**ORTAC PLASTIC CABLE GLANDS SERIES**

**TECHNICAL DETAILS**
**Material**

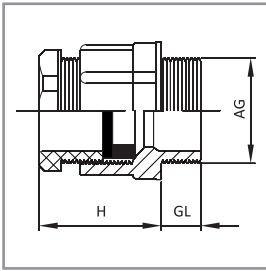
Cap nut	: Polyamide PA6 V2 + 30% GF
Sealing ring	: TPV (special seal for dust resistance)
Washer	: Polystyrene
Gland body	: Polyamide PA6 V2
Connection thread	: Metric (EN 60423)/PG (DIN 40430)
Protection class	: IP54
Temperature range	: -30 °C +80 °C +150 °C (short term)

**Properties**

Dust resistance with special seal  
UV resistance  
Halogen free

# POLYAMIDE CABLE GLANDS

## FLAT TYPE CLOSED SEAL


**DÜZ TİP RAKOR KAPALI CANTALI**

Hammaddesi	: Polyamid PA6 V2
Renk	: RAL 7001 (Gri) RAL 7035 (Açık Gri) RAL 9005 (Siyah)
Bağlantı Dişi M	: EN 60423
Bağlantı Dişi PG	: DIN 40430
Koruma sınıfı	: IP 54
Sürekli ısıya direnci	: - 30 °C + 80 °C
Kısa süreli ısıya direnci	: +150 °C
Conta	: Termoplastik vulkanize TPV



■ RAL 7001





■ RAL 7035



■ RAL 9005

**METRIC/PG THREAD CABLE GLANDS**

AG Thread	Gray Code ■ RAL 7001	L. Gray Code ■ RAL 7035	Black Code ■ RAL 9005	H mm	GL mm	 mm	 mm
M 12 x 1,5	KMRG 17	KMRL 17	KMRB 17	21	8	15	3,5 - 6
M 16 x 1,5	KMRG 18	KMRL 18	KMRB 18	22	8	19	4,5 - 7
M 16 x 1,5	KMRG 19	KMRL 19	KMRB 19	22	8	22	6 - 9
M 20 x 1,5	KMRG 20	KMRL 20	KMRB 20	26	9	24	9 - 12
M 20 x 1,5	KMRG 21	KMRL 21	KMRB 21	28	10	27	11 - 14
M 25 x 1,5	KMRG 22	KMRL 22	KMRB 22	32	11	33	14 - 18
PG 7	KRG 11	KRL 11	KRB 11	21	8	15	3,5 - 6
PG 9	KRG 12	KRL 12	KRB 12	22	8	19	4,5 - 7
PG 11	KRG 13	KRL 13	KRB 13	22	8	22	6 - 9
PG 13.5	KRG 14	KRL 14	KRB 14	26	9	24	9 - 12
PG 16	KRG 15	KRL 15	KRB 15	28	10	27	11 - 14
PG 21	KRG 16	KRL 16	KRB 16	32	11	33	14 - 18
PG 29	KRG 17	KRL 17	KRB 17	35	11	42	18 - 25
PG 36	KRG 18	KRL 18	KRB 18	39	13	53	25 - 32

IP 54

Halogen free

PRODUCT RANGE OVERVIEW

ORTAC PLASTIC ACCESSORIES SERIES



TECHNICAL DETAILS

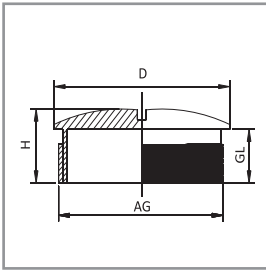
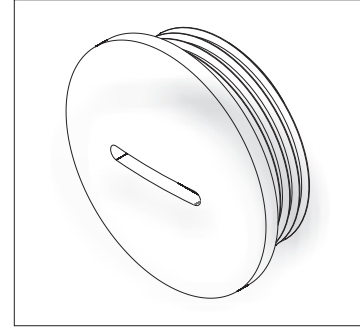
Material

Screw plug : Polyamide PA6 V2  
Sealing ring : NBR (on request)  
Connection thread : Metric (EN 60423)/PG (DIN 40430)  
Protection class : IP54  
Temperature range : -30 °C +80 °C  
+150 °C (short term)

Properties

For unused threaded holes  
UV resistance  
Halogen free

POLYAMIDE  
BLIND STOPS



KÖRTAPA

Hammaddesi : Polyamid PA6 V2  
Renk : RAL 7001 (Gri)  
RAL 7035 (Açık Gri)  
RAL 9005 (Siyah)  
Bağlantı Dişi M : EN 60423  
Bağlantı Dişi PG : DIN 40430  
Koruma sınıfı : IP 54  
Sürekli ısıya direnci : - 30 °C + 80 °C  
Kısa süreli ısıya direnci : +150 °C



METRIC/PG THREAD BLIND STOPS

AG Thread	Gray Code ■ RAL 7001	L. Gray Code ■ RAL 7035	Black Code ■ RAL 9005	H mm	GL mm	D mm
M 12 x 1,5	MOGK 01	MOLK 01	MOBK 01	8,5	6	15
M 16 x 1,5	MOGK 02	MOLK 02	MOBK 02	10	7	20
M 20 x 1,5	MOGK 03	MOLK 03	MOBK 03	10	7	24
M 25 x 1,5	MOGK 04	MOLK 04	MOBK 04	14	10	30
M 32 x 1,5	MOGK 05	MOLK 05	MOBK 05	14	10	37
M 40 x 1,5	MOGK 06	MOLK 06	MOBK 06	15	10	48
PG 7	OGK 01	OLK 01	OBK 01	8	6	15
PG 9	OGK 02	OLK 02	OBK 02	9	6	19
PG 11	OGK 03	OLK 03	OBK 03	9	6	22
PG 13,5	OGK 04	OLK 04	OBK 04	8,5	6	25
PG 16	OGK 05	OLK 05	OBK 05	8,5	6	27
PG 21	OGK 06	OLK 06	OBK 06	12	8	33
PG 29	OGK 07	OLK 07	OBK 07	12	8	44
PG 36	OGK 08	OLK 08	OBK 08	15	10	55

PRODUCT RANGE OVERVIEW

IP 54

Halogen free


**ORTAC PLASTIC ACCESSORIES SERIES**

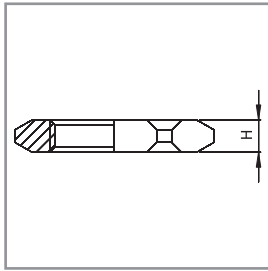
**TECHNICAL DETAILS**
**Material**

Hexagonal locknut : Polyamide PA6 V2 + 30% GF  
 Connection thread : Metric (EN 60423)/PG (DIN 40430)  
 Temperature range : -30 °C +80 °C  
 +150 °C (short term)

**Properties**


For tightening of cable glands  
 UV resistance  
 Halogen free

# POLYAMIDE LOCK NUTS STANDARD TYPE


**SOMUN**

Hammaddesi : Polyamid PA6 V2 +%30 Cam Elyaf Katkılı  
 Renk : RAL 7001 (Gri)  
 RAL 7035 (Açık Gri)  
 RAL 9005 (Siyah)  
 Bağlantı Dişi M : EN 60423  
 Bağlantı Dişi PG : DIN 40430  
 Sürekli ısıya direnci : - 30 °C + 80 °C  
 Kısa süreli ısıya direnci : +150 °C


**METRIC/PG THREAD LOCK NUTS**
**PRODUCT RANGE OVERVIEW**

AG Thread	Gray Code ■ RAL 7001	L. Gray Code ■ RAL 7035	Black Code ■ RAL 9005	H mm	 mm
M 12 x 1,5	MSG 01	MSL 01	MSB 01	5	18
M 16 x 1,5	MSG 02	MSL 02	MSB 02	5	22
M 20 x 1,5	MSG 03	MSL 03	MSB 03	6	26
M 25 x 1,5	MSG 04	MSL 04	MSB 04	6	32
M 32 x 1,5	MSG 05	MSL 05	MSB 05	7	41
M 40 x 1,5	MSG 06	MSL 06	MSB 06	7	50
M 50 x 1,5	MSG 07	MSL 07	MSB 07	8	60
M 63 x 1,5	MSG 08	MSL 08	MSB 08	8	75
PG 7	OSG 01	OSL 01	OSB 01	5	19
PG 9	OSG 02A	OSL 02A	OSB 02A	5	19
PG 9	OSG 02	OSL 02	OSB 02	5	22
PG 11	OSG 03	OSL 03	OSB 03	5	24
PG 13.5	OSG 04	OSL 04	OSB 04	6	27
PG 16	OSG 05	OSL 05	OSB 05	6	30
PG 21	OSG 06	OSL 06	OSB 06	7	36
PG 29	OSG 07	OSL 07	OSB 07	7	46
PG 36	OSG 08	OSL 08	OSB 08	8	60
PG 42	OSG 09	OSL 09	OSB 09	8	65
PG 48	OSG 10	OSL 10	OSB 10	8	70

Halogen free

## ORTAC PLASTIC ACCESSORIES SERIES

### TECHNICAL DETAILS

#### Material

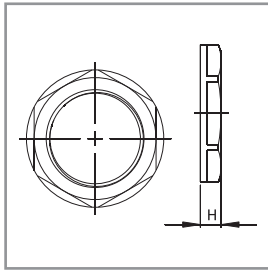
Hexagonal locknut : Polyamide PA6 V2 + 30% GF  
Connection thread : Metric (EN 60423)/PG (DIN 40430)  
Temperature range : -30 °C +80 °C  
+150 °C (short term)

#### Properties

Hexagonal with flanged  
For tightening of cable glands  
UV resistance  
Halogen free

## POLYAMIDE LOCK NUTS

### HEXAGONAL WITH COLLAR




### ŞAPKALI SOMUN

Hammaddesi : Polyamid PA6 V2 +%30 Cam Elyaf Katkılı  
Renk : RAL 7001 (Gri)  
RAL 7035 (Açık Gri)  
RAL 9005 (Siyah)  
Bağlantı Dişi M : EN 60423  
Bağlantı Dişi PG : DIN 40430  
Sürekli ısıya direnci : - 30 °C + 80 °C  
Kısa süreli ısıya direnci : +150 °C



### METRIC/PG THREAD LOCK NUTS

PRODUCT RANGE OVERVIEW

AG Thread	Gray Code ■ RAL 7001	L. Gray Code ■ RAL 7035	Black Code ■ RAL 9005	H mm	 mm
M 12 x 1,5	RMSG 01	RMSL 01	RMSB 01	5	18
M 16 x 1,5	RMSG 02	RMSL 02	RMSB 02	5	22
M 20 x 1,5	RMSG 03	RMSL 03	RMSB 03	6	26
M 20 x 1,5	RMSG 03GM	RMSL 03GM	RMSB 03GM	8,25	26
M 25 x 1,5	RMSG 04	RMSL 04	RMSB 04	6	32
M 32 x 1,5	RMSG 05	RMSL 05	RMSB 05	7	41
M 40 x 1,5	RMSG 06	RMSL 06	RMSB 06	7	50
M 50 x 1,5	RMSG 07	RMSL 07	RMSB 07	8	60
M 63 x 1,5	RMSG 08	RMSL 08	RMSB 08	8	75
PG 7	ROSG 01	ROSL 01	ROSB 01	5	19
PG 9	ROSG 02	ROSL 02	ROSB 02	5	22
PG 11	ROSG 03	ROSL 03	ROSB 03	5	24
PG 13.5	ROSG 04	ROSL 04	ROSB 04	6	27
PG 16	ROSG 05	ROSL 05	ROSB 05	6	30
PG 21	ROSG 06	ROSL 06	ROSB 06	7	36
PG 29	ROSG 07	ROSL 07	ROSB 07	7	46
PG 36	ROSG 08	ROSL 08	ROSB 08	8	60
PG 42	ROSG 09	ROSL 09	ROSB 09	8	65
PG 48	ROSG 10	ROSL 10	ROSB 10	8	70

Halogen free



# PROTECTION ACCESSORIES

## PROTECTION TAPS

EN	TR
Material Polyamide 6	Hammaddesi Polyamid 6
Temperature range - 30 °C + 80 °C	Isiya direnci - 30 °C + 80 °C



## DUST CAP

EN	TR
Material Foam	Hammaddesi Köpük
Temperature range - 20 °C + 70 °C	Isiya direnci - 20 °C + 70 °C



## KORUMA TAPASI

PG Thread	M Thread	Black Code ■ RAL 9005	Red Code ■ RAL 3020
PG 7	M 12 x 1,5	PTB 01	PTR 01
PG 9	M 16 x 1,5	PTB 02	PTR 02
PG 11	M 16 x 1,5	PTB 03	PTR 03
PG 13.5	M 20 x 1,5	PTB 04	PTR 04
PG 16	M 20 x 1,5	PTB 05	PTR 05
PG 21	M 25 x 1,5	PTB 06	PTR 06
PG 29	M 32 x 1,5	PTB 07	PTR 07
PG 36	M 40 x 1,5	PTB 08	PTR 08
PG 42	M 50 x 1,5	PTB 09	PTR 09
PG 48	M 63 x 1,5	PTB 10	PTR 10

## TOZ ÖNLEYİCİ

PG Thread	M Thread	Red Code ■ RAL 3020	Outer mm.
PG 7	M 12 x 1,5	DC 01	11
PG 9	M 16 x 1,5	DC 02	11
PG 11	M 16 x 1,5	DC 03	16
PG 13.5	M 20 x 1,5	DC 04	18
PG 16	M 20 x 1,5	DC 05	20
PG 21	M 25 x 1,5	DC 06	25
PG 29	M 32 x 1,5	DC 07	32
PG 36	M 40 x 1,5	DC 08	42
PG 42	M 50 x 1,5	DC 09	48
PG 48	M 63 x 1,5	DC 10	53

## JOINT WASHER

EN	TR
Material Polystyrol	Hammaddesi Polistirol
Temperature range - 20 °C + 70 °C	Isiya direnci - 20 °C + 70 °C



## O-RING

EN	TR
Material Nitrile rubber 70 shore A	Hammaddesi Nitril Kauçuk 70 shore A
Temperature range - 40 °C + 100 °C	Isiya direnci - 40 °C + 100 °C



## PLASTİK RONDELA

Code	H	Inner Diameter mm.	Outer Diameter mm.
WSH 01	1,3	7,9	11
WSH 02	1,3	10	13,4
WSH 03	1,4	11,9	17
WSH 04	1,3	13,8	18,3
WSH 05	1,5	15,9	20,4
WSH 06	1,5	20,9	25,9

## O-RING

Inner Diameter mm.	Thickness mm.	Gland Size	Code
8	1,5	M 12 x 1,5	80015
9	1,5	PG 7	90015
11	1,5	PG 9	11015
12	1,5	M 16 x 1,5	12015
13	1,5	PG 11	13015
16	1,5	M 20 x 1,5/PG 13,5	16015
18	1,5	PG 16	18015
19	2	M 25 x 1,5	19020
22	2	PG 21	22020
23	2	M 32 x 1,5	23020
30	2	M 40 x 1,5/PG 29	30020
40	2	PG 36	40020
42	2	M 50 x 1,5	42020
48	2	PG 42	48020
53	2	M 63 x 1,5/PG 48	53020



# ORTAC

Cable Management Systems

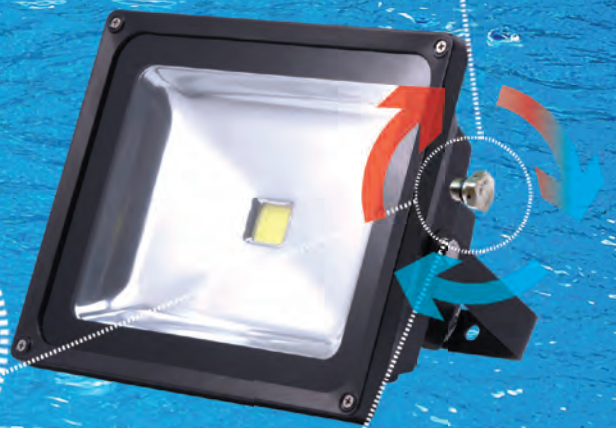
## VENTILATION PLUGS

Ventilation Plugs are IP 68 rated and reduce the adverse affects of humidity in the environment by preventing pressure increase inside the enclosure and limiting temperature increase through air circulation

IP68 / -40<sup>o</sup>C +100<sup>o</sup>C PLASTIC (PA6) / STAINLESS STEEL AISI1.4305 BRASS with NICKEL PLATED (MS58)

- Allow the passage of air for ventilation and heat dissipation, yet prevent moisture intrusion
- Pressure compensating seal prevents buildup of pressure inside of electronic enclosures due to environmental temperature cycling
- Filter membrane prevents moisture and particulate contamination in electronic enclosures
- Integral sealing ring ensures a superior seal at mounting hole location, every time; IP 65, 67 and 68 Rated

- High Degree of Protection
- Easy to Install
- IP68





**ORTAC VENTILATION ELEMENTS**



**TECHNICAL DETAILS**

**Material**

PA6 V2 with NBR/EPDM o-ring  
 MS58 Brass with nickel plated  
 Stainless steel AISI303 / 316L  
 Acrylic Co- Polimer on Nylon Support  
 Membrane: Hydrophobic-Oleophobic  
 Protection Class: IP68  
 Temperature Range: -40 °C + 105 °C  
 Available Size: M12x1,5  
 Application Area: Automation technology, wind-solar energy, industrial equipment

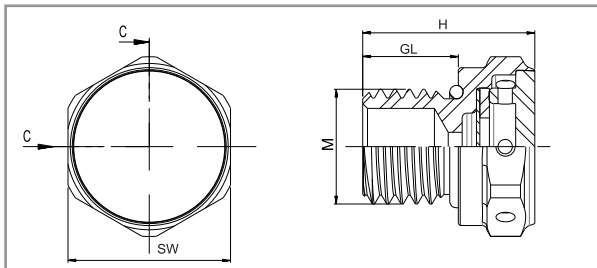
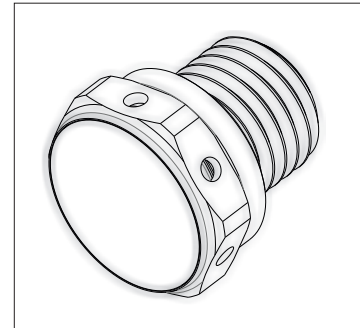
**Benefits**

Ortac ventilation plugs; (pressure balance elements) reduce the adverse effects of humidity in the environment circulation by preventing pressure increase inside the enclosure and limiting temperature increase through air.

- \* Pressure compensating seal prevents build up of pressure inside of electronic enclosures due to enviromental temperature cycling
- \* It extends the life time on complete system with it's basic feature
- \* Prevents the enclosures against corrosion

**VENTILATION PLUGS**

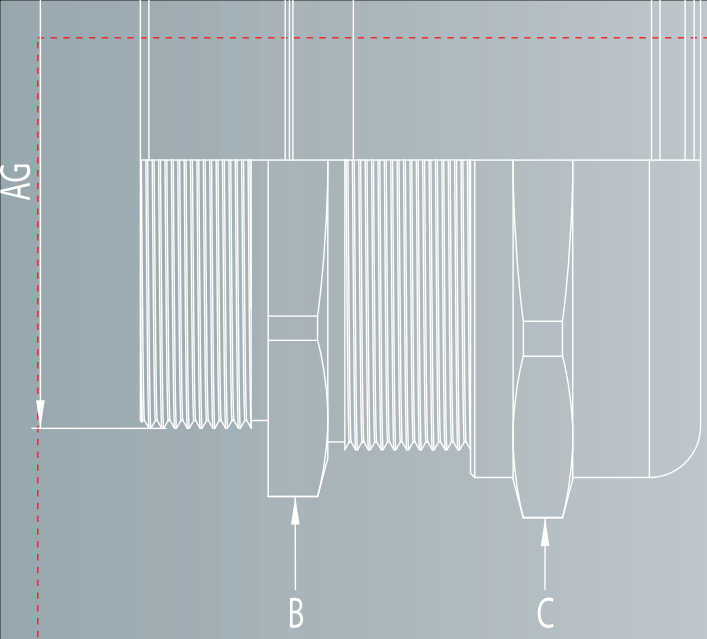
POLYAMIDE / BRASS  
 STAINLESS STEEL



**METRIC/PG THREAD VENTILATION PLUGS**

PRODUCT RANGE OVERVIEW

AG Thread	Grey Code RAL 7035	Black Code RAL 9005	H mm	GL mm	mm	Thread Diameter mm	Hole Diameter mm	Average Air Flow l/H	Water Intrusion mbar
<b>PLASTIC PA6 V2</b>									
M 12 x 1,5	OMVPL01S	OMVPB01S	15	6	18	12	12,3	16	0,8
M 12 x 1,5	OMVPL01M	OMVPB01M	15	6	18	12	12,3	25	0,5
M 12 x 1,5	OMVPL01H	OMVPB01H	15	6	18	12	12,3	133	0,2
M 12 x 1,5	OMVPL01UH	OMVPB01UH	15	6	18	12	12,3	300	0,1
M 12 x 1,5	OMVPL01SL	OMVPB01SL	19	10	18	12	12,3	16	0,8
M 12 x 1,5	OMVPL01ML	OMVPB01ML	19	10	18	12	12,3	25	0,5
M 12 x 1,5	OMVPL01HL	OMVPB01HL	19	10	18	12	12,3	133	0,2
M 12 x 1,5	OMVPL01UHL	OMVPB01UHL	19	10	18	12	12,3	300	0,1
<b>BRASS NICKEL PLATED</b>									
M 12 x 1,5	OMBVP01S		14	6	17	12	12,3	16	0,8
M 12 x 1,5	OMBVP01M		14	6	17	12	12,3	25	0,5
M 12 x 1,5	OMBVP01H		14	6	17	12	12,3	133	0,2
M 12 x 1,5	OMBVP01UH		14	6	17	12	12,3	300	0,1
M 12 x 1,5	OMBVP01SL		18	10	17	12	12,3	16	0,8
M 12 x 1,5	OMBVP01ML		18	10	17	12	12,3	25	0,5
M 12 x 1,5	OMBVP01HL		18	10	17	12	12,3	133	0,2
M 12 x 1,5	OMBVP01UHL		18	10	17	12	12,3	300	0,1
<b>STAINLESS STEEL</b>									
M 12 x 1,5	OMSVP01S		14	6	17	12	12,3	16	0,8
M 12 x 1,5	OMSVP01M		14	6	17	12	12,3	25	0,5
M 12 x 1,5	OMSVP01H		14	6	17	12	12,3	133	0,2
M 12 x 1,5	OMSVP01UH		14	6	17	12	12,3	300	0,1
M 12 x 1,5	OMSVP01SL		18	10	17	12	12,3	16	0,8
M 12 x 1,5	OMSVP01ML		18	10	17	12	12,3	25	0,5
M 12 x 1,5	OMSVP01HL		18	10	17	12	12,3	133	0,2
M 12 x 1,5	OMSVP01UHL		18	10	17	12	12,3	300	0,1



## METAL CABLE GLANDS & ACCESSORIES





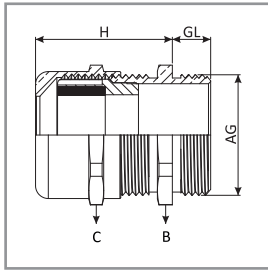

**ORTAC METAL CABLE GLANDS SERIES**
**TECHNICAL DETAILS**
**Material**

Cap nut	: Brass with nickel plated
Clamping insert	: Polyamide PA6 V2
Sealing ring	: TPV
Gland body	: Brass with nickel plated
O-Ring	: NBR
Connection thread	: Metric (EN 60423)
Protection class	: IP68 - 5 bar
Temperature range	: -40 °C +100 °C

**Properties**

Easy to assemble  
Long thread versions  
Halogen free

# METAL CABLE GLANDS STANDARD TYPE BRASS


**ETANJ PİRİNÇ RAKOR**

Hammaddesi	: Pirinç, nikel kaplı
Kablo tutucu	: Polyamid PA6 V2
Bağlantı dişi M	: EN 60423
Koruma sınıfı	: IP 68 5 bar
Isıya direnci	: - 40 °C + 100 °C
Conta	: Termoplastik vulkanize TPV
O-ring	: Nitril kauçuk


**LONG THREAD**
**METRIC THREAD CABLE GLANDS**

AG Thread	Code	H mm	GL mm	B mm	C mm	Ø mm
M 12 x 1,5	OMBG 01	22	6	14	14	3 - 6,5
M 16 x 1,5	OMBG 02	23	7	18	17	4 - 8
M 20 x 1,5	OMBG 03RS	26,5	8	22	22	4 - 10
M 20 x 1,5	OMBG 03	26,5	8	22	22	6 - 12
M 25 x 1,5	OMBG 04	28	8	27	24	10 - 14
M 32 x 1,5	OMBG 05	31,5	9	34	30	13 - 18
M 40 x 1,5	OMBG 06	38	9	43	40	18 - 25
M 50 x 1,5	OMBG 07	43	9	55	50	22 - 32
M 63 x 1,5	OMBG 08	48	14	68	64	33 - 44

**LONG METRIC CABLE GLANDS**

M 12 x 1,5	OMBG 09	22	12	14	14	3 - 6,5
M 16 x 1,5	OMBG 10	23	12	18	17	4 - 8
M 20 x 1,5	OMBG 11RS	26,5	12	22	22	4 - 10
M 20 x 1,5	OMBG 11	26,5	12	22	22	6 - 12
M 25 x 1,5	OMBG 12	28	12	27	24	10 - 14
M 32 x 1,5	OMBG 13	31,5	14	34	30	13 - 18
M 40 x 1,5	OMBG 14	38	14	43	40	18 - 25
M 50 x 1,5	OMBG 15	43	14	55	50	22 - 32
M 63 x 1,5	OMBG 16	48	18	68	64	33 - 44

**PRODUCT RANGE OVERVIEW**

IP 68

Halogen free

## ORTAC METAL CABLE GLANDS SERIES

### TECHNICAL DETAILS

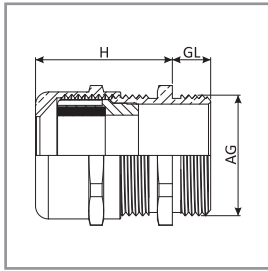
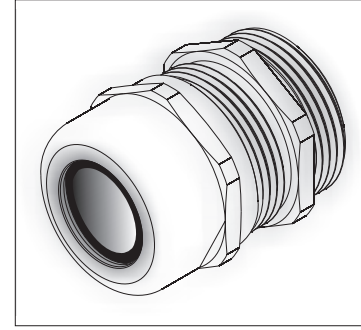
#### Material

Cap nut	: Brass with nickel plated
Clamping insert	: Polyamide PA6 V2
Sealing ring	: TPV
Gland body	: Brass with nickel plated
O-ring	: NBR
Connection thread	: PG (DIN 40430)
Protection class	: IP68 - 5 bar
Temperature range	: -40 °C +100 °C

#### Properties

Easy to assemble  
Long thread versions  
Halogen free

## METAL CABLE GLANDS STANDARD TYPE BRASS



### ETANJ PİRİNÇ RAKOR

Hammaddesi	: Pirinç, nikel kaplı
Kablo tutucu	: Polyamid PA6 V2
Bağlantı dişi PG	: DIN 40430
Koruma sınıfı	: IP 68 5 bar
Isıya direnci	: - 40 °C + 100 °C
Conta	: Termoplastik vulkanize TPV
O-ring	: Nitril kauçuk



LONG THREAD



## PG THREAD CABLE GLANDS

AG Thread	Code	H mm	GL mm	mm	mm
PG 7	OPBG 01	22	6	14	3 - 6,5
PG 9	OPBG 02	23	6	17	4 - 8
PG 11	OPBG 03	24,5	6	20	5 - 10
PG 13,5	OPBG 04RS	26,5	6,5	22	4 - 10
PG 13,5	OPBG 04	26,5	6,5	22	6 - 12
PG 16	OPBG 05	28	6,5	24	10 - 14
PG 21	OPBG 06	31,5	7	30	13 - 18
PG 29	OPBG 07	38	8	40	18 - 25
PG 36	OPBG 08	43	10	50	22 - 32
PG 42	OPBG 09	47	12	57	30 - 38
PG 48	OPBG 10	48	14	64	34 - 44

## LONG PG CABLE GLANDS

PG 7	OPBG 11	22	10	14	3 - 6,5
PG 9	OPBG 12	23	10	17	4 - 8
PG 11	OPBG 13	24,5	10	20	5 - 10
PG 13,5	OPBG 14RS	26,5	10	22	4 - 10
PG 13,5	OPBG 14	26,5	10	22	6 - 12
PG 16	OPBG 15	28	10	24	10 - 14
PG 21	OPBG 16	31,5	12	30	13 - 18
PG 29	OPBG 17	38	12	40	18 - 25
PG 36	OPBG 18	43	14	50	22 - 32
PG 42	OPBG 19	47	18	57	30 - 38
PG 48	OPBG 20	48	18	64	34 - 44

PRODUCT RANGE OVERVIEW

IP 68

Halogen free


**ORTAC METAL CABLE GLANDS SERIES**

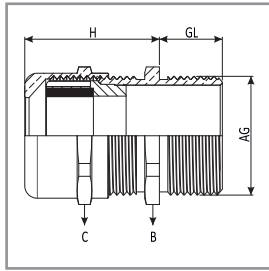
**TECHNICAL DETAILS**
**Material**

Cap nut	: Brass with nickel plated
Clamping insert	: Polyamide PA6 V2
Sealing ring	: TPV
Gland body	: Brass with nickel plated
O-ring	: NBR
Connection thread	: Metric (EN 60423)/PG (DIN 40430)
Protection class	: IP68 - 5 bar
Temperature range	: -40 °C +100 °C

**Properties**

Easy to assemble  
Special long thread versions  
Halogen free

# METAL CABLE GLANDS SPECIAL LONG TYPE BRASS


**ÖZEL UZUN DIŞ ETANJ PİRİNÇ RAKOR**

Hammaddesi	: Pirinç, nikel kaplı
Kablo tutucu	: Polyamid PA6 V2
Bağlantı dişi M	: EN 60423
Bağlantı dişi PG	: DIN 40430
Koruma sınıfı	: IP 68 5 bar
Isıya direnci	: - 40 °C + 100 °C
Conta	: Termoplastik vulkanize TPV
O-ring	: Nitril kauçuk

**SPECIAL LONG**

**METRIC/PG THREAD CABLE GLANDS**
**PRODUCT RANGE OVERVIEW**

AG Thread	Code	H mm	GL mm	B mm	C mm	Ø mm
M 12 x 1,5	OMBGL 01	22	25	14	14	3 - 6,5
M 16 x 1,5	OMBGL 02	23	25	18	17	4 - 8
M 20 x 1,5	OMBGL 03	26,5	25	22	22	6 - 12
M 25 x 1,5	OMBGL 04	28	25	27	24	10 - 14
M 32 x 1,5	OMBGL 05	31,5	25	34	30	13 - 18
M 40 x 1,5	OMBGL 06	38	25	43	40	18 - 25
PG 7	OPBGL 01	22	25	14	14	3 - 6,5
PG 9	OPBGL 02	23	25	17	17	4 - 8
PG 11	OPBGL 03	24,5	25	20	20	5 - 10
PG 13,5	OPBGL 04	26,5	25	22	22	6 - 12
PG 16	OPBGL 05	28	25	24	24	10 - 14
PG 21	OPBGL 06	31,5	25	30	30	13 - 18
PG 29	OPBGL 07	38	25	40	40	18 - 25

IP 68

Halogen free

## ORTAC STAINLESS STEEL CABLE GLANDS SERIES

### TECHNICAL DETAILS

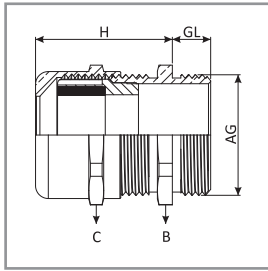
#### Material

Cap nut	: Stainless steel (1.4305/AISI303-1.4404/AISI316L)
Clamping insert	: Polyamide PA6 V2
Sealing ring	: TPV
Gland body	: Stainless steel (1.4305/AISI303-1.4404/AISI316L)
O-ring	: NBR
Connection thread	: Metric (EN 60423)/PG (DIN 40430)
Protection class	: IP68 - 5 bar
Temperature range	: -40 °C + 100 °C

#### Properties

High corrosion resistance  
Smooth surfaces  
Easy to assemble  
Food, Pharmaceutical industry and On-Off shore applications  
Halogen free

## METAL CABLE GLANDS STANDARD TYPE STAINLESS STEEL



### PASLANMAZ ÇELİK ETANJ RAKOR

Hammaddesi	: Paslanmaz Çelik (1.4305/AISI 303) (1.4404/AISI316L)
Kablo tutucu	: Polyamid PA6 V2
Bağlantı dişi M	: EN 60423
Bağlantı dişi PG	: DIN 40430
Koruma sınıfı	: IP 68 5 bar
Isıya direnci	: - 40 °C + 100 °C
Conta	: Termoplastik vulkanize TPV
O-ring	: Nitril kauçuk



### METRIC/PG THREAD CABLE GLANDS

PRODUCT RANGE OVERVIEW

AG Thread	Code	H mm	GL mm	B mm	C mm	Ø4 mm
M 12 x 1,5	OMSG 01	22	6	14	14	3 - 6,5
M 16 x 1,5	OMSG 02	23	7	18	17	4 - 8
M 20 x 1,5	OMSG 03RS	26,5	8	22	22	4 - 10
M 20 x 1,5	OMSG 03	26,5	8	22	22	6 - 12
M 25 x 1,5	OMSG 04	28	8	27	24	10 - 14
M 32 x 1,5	OMSG 05	31,5	9	36	30	13 - 18
M 40 x 1,5	OMSG 06	38	9	46	41	18 - 25
M 50 x 1,5	OMSG 07	43	9	55	50	22 - 32
M 63 x 1,5	OMSG 08	48	14	70	65	33 - 44
PG 7	OPSG 01	22	6	14	14	3 - 6,5
PG 9	OPSG 02	23	6	17	17	4 - 8
PG 11	OPSG 03	24,5	6	22	22	5 - 10
PG 13.5	OPSG 04RS	26,5	6,5	22	22	4 - 10
PG 13.5	OPSG 04	26,5	6,5	22	22	6 - 12
PG 16	OPSG 05	28	6,5	24	24	10 - 14
PG 21	OPSG 06	31,5	7	30	30	13 - 18
PG 29	OPSG 07	38	8	41	41	18 - 25
PG 36	OPSG 08	43	10	50	50	22 - 32
PG 42	OPSG 09	47	12	60	60	30 - 38
PG 48	OPSG 10	48	14	65	65	34 - 44

IP 68

Halogen free


**ORTAC METAL CABLE GLANDS SERIES**

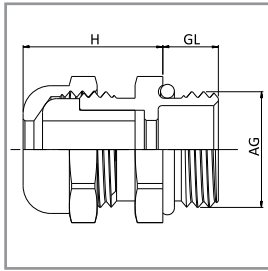
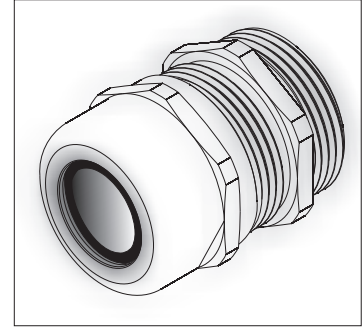
**TECHNICAL DETAILS**
**Material**

Cap nut	: Brass with nickel plated
Sealing ring	: TPV / Silicone / EPDM
Gland body	: Brass with nickel plated
O-Ring	: Nbr / Tpv / Silicone / Epdm
Connection thread	: Metric (EN 60423)/PG(DIN40430)
Protection class	: IP68 - 3 bar
Temperature range	: -40 °C +100 °C

**Properties**



Easy to assemble  
 Long thread versions  
 Halogen free  
 Appropriate to use in limited application areas  
 Lighting Industry

# METAL CABLE GLANDS MINIGLAND BRASS


**MINİ PRİNÇ ETANJ RAKOR**

Hammaddesi	: Piriç, nikel kaplı
Conta	: Tpv / Silicone / Epdm
Bağlantı dişi	: EN 60423 / DIN 40430
Koruma sınıfı	: IP 68 3 bar
Isıya direnci	: - 40 °C + 100 °C
O-ring	: Tpv / Silicone / Epdm


**METRIC / PG THREAD CABLE GLANDS**
**PRODUCT RANGE OVERVIEW**

AG Thread	Code	H mm	GL mm		 mm
M 6 x 1,0	MGM6-23	10,5	6	8	2-3
M 8 x 1,25	MGM8s-35	13,5	6	11	3-5
M 8 x 1,25	MGM8-24	15	6	14	2-4
M 10 x 1,5	MGM10s-46	14,5	6	12	4-6
M 10 x 1,5	MGM10-24	15	6	14	2-4
M 10 x 1,5	MGM10-36	15	6	14	3-6
M 12 x 1,5	MGM12-24	15	6	14	2-4
M 12 x 1,5	MGM12-36	15	6	14	3-6
PG 7	MGP7-24	15	6	14	2-4
PG 7	MGP7-36	15	6	14	3-6
PG 9	MGP9-46	16,5	6	17	4-6
PG 9	MGP9-68	16,5	6	17	6-8

IP 68

Halogen free

## ORTAC METAL CABLE GLANDS SERIES

### TECHNICAL DETAILS

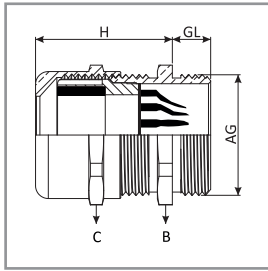
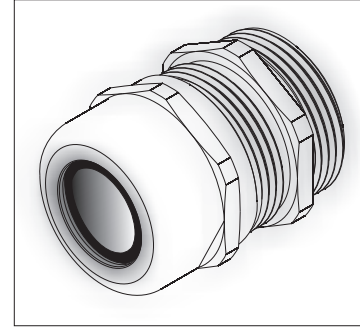
#### Material

Cap nut	: Brass with nickel plated
Clamping insert	: Polyamide PA6 V2
Sealing ring	: TPV
Emc spring	: AISI301
Gland body	: Brass with nickel plated
O-ring	: NBR
Connection thread	: Metric (EN 60423)/PG (DIN 40430)
Protection class	: IP68 - 5 bar
Temperature range	: -40 °C +100 °C

#### Properties

Easy to assemble  
For cables with shielding  
Suitable for cables with and without inner sheath  
Highly conductive

## METAL CABLE GLANDS EMC TYPE BRASS



### EMC TİP PİRİNÇ RAKOR

Hammaddesi	: Pirinç, nikel kaplı
Kablo tutucu	: Polyamid PA6 V2
Bağlantı dişi M	: EN 60423
Bağlantı dişi PG	: DIN 40430
Koruma sınıfı	: IP 68 5 bar
Isıya direnci	: - 40 °C + 100 °C
Conta	: Termoplastik vulkanize TPV
O-ring	: Nitril kauçuk



### METRIC/PG THREAD CABLE GLANDS

PRODUCT RANGE OVERVIEW

AG Thread	Code	H mm	GL mm	B mm	C mm	Ø mm
M 12 x 1,5	OMBT 01	22	6	14	14	3 - 6,5
M 16 x 1,5	OMBT 02	23	7	18	17	4 - 8
M 20 x 1,5	OMBT 03RS	26,5	8	22	22	4 - 10
M 20 x 1,5	OMBT 03	26,5	8	22	22	6 - 12
M 25 x 1,5	OMBT 04	28	8	27	24	10 - 14
M 32 x 1,5	OMBT 05	31,5	9	34	30	13 - 18
M 40 x 1,5	OMBT 06	38	9	43	40	18 - 25
M 50 x 1,5	OMBT 07	43	9	55	50	22 - 32
M 63 x 1,5	OMBT 08	48	14	68	64	33 - 44
PG 7	OPBT 01	22	6	14	14	3 - 6,5
PG 9	OPBT 02	23	6	17	17	4 - 8
PG 11	OPBT 03	24,5	6	20	20	5 - 10
PG 13.5	OPBT 04RS	26,5	6,5	22	22	4 - 10
PG 13.5	OPBT 04	26,5	6,5	22	22	6 - 12
PG 16	OPBT 05	28	6,5	24	24	10 - 14
PG 21	OPBT 06	31,5	7	30	30	13 - 18
PG 29	OPBT 07	38	8	40	40	18 - 25
PG 36	OPBT 08	43	10	50	50	22 - 32
PG 42	OPBT 09	47	12	57	57	30 - 38
PG 48	OPBT 10	48	14	64	64	34 - 44

IP 68

Halogen free

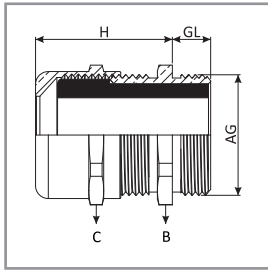
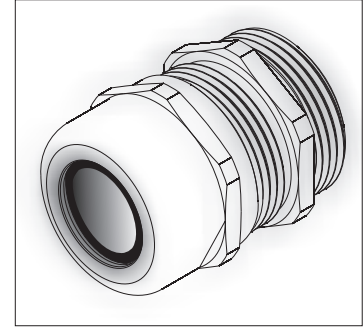

**ORTAC METAL CABLE GLANDS SERIES**
**TECHNICAL DETAILS**
**Material**

Cap nut	: Brass with nickel plated
Sealing ring	: Silicone
Gland body	: Brass with nickel plated
O-ring	: Silicone
Connection thread	: Metric (EN 60423)/PG (DIN 40430)
Protection class	: IP68 - 5 bar
Temperature range	: -40 °C +200 °C

**Properties**

High or low temperature resistance  
 Smooth surface  
 Easy to assemble  
 Halogen free

# METAL CABLE GLANDS STANDARD TYPE SILICONE SEAL


**SİLİKON CANTALI ETANJ PİRİNÇ RAKOR**

Hammaddesi	: Pirinç, nikel kaplı
Bağlantı dişi M	: EN 60423
Bağlantı dişi PG	: DIN 40430
Koruma sınıfı	: IP 68 5 bar
Isıya direnci	: - 40 °C + 200 °C
Conta	: Silikon
O-ring	: Silikon


**METRIC/PG THREAD CABLE GLANDS**
**PRODUCT RANGE OVERVIEW**

AG Thread	Code	H mm	GL mm	B mm	C mm	Ø mm
M 12 x 1,5	MBGS 01	22	6	14	14	3 - 6,5
M 16 x 1,5	MBGS 02	23	7	18	17	4 - 8
M 20 x 1,5	MBGS 03	26,5	8	22	22	6 - 12
M 25 x 1,5	MBGS 04	28	8	27	24	10 - 14
M 32 x 1,5	MBGS 05	31,5	9	34	30	13 - 18
M 40 x 1,5	MBGS 06	38	9	43	40	18 - 25
M 50 x 1,5	MBGS 07	43	9	55	50	22 - 32
M 63 x 1,5	MBGS 08	48	14	68	64	33 - 44
PG 7	PBGS 01	22	6		14	3 - 6,5
PG 9	PBGS 02	23	6		17	4 - 8
PG 11	PBGS 03	24,5	6		20	5 - 10
PG 13.5	PBGS 04	26,5	6,5		22	6 - 12
PG 16	PBGS 05	28	6,5		24	10 - 14
PG 21	PBGS 06	31,5	7		30	13 - 18
PG 29	PBGS 07	38	8		40	18 - 25
PG 36	PBGS 08	43	10		50	22 - 32
PG 42	PBGS 09	47	12		57	30 - 38
PG 48	PBGS 10	48	14		64	34 - 44

IP 68

Halogen free

## ORTAC METAL CABLE GLANDS SERIES

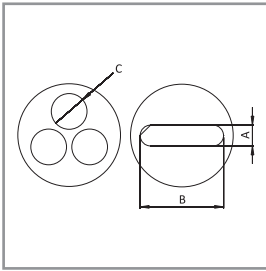
### TECHNICAL DETAILS

#### Material

Cap nut	: Brass with nickel plated
Clamping Insert	: Polyamide PA6 V2
Sealing ring	: TPV (special seal for multi or flat cables)
Gland body	: Brass with nickel plated
O-ring	: NBR
Connection thread	: Metric (EN 60423)
Protection class	: IP65
Temperature range	: -40 °C + 100 °C

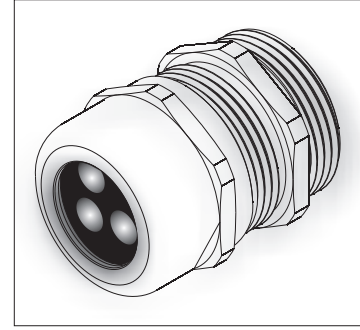
#### Properties

For multi or flat cables  
Easy to assemble  
Halogen free



### MULTİ ETANJ PRİNÇ RAKOR

Hammaddesi	: Pirinç, nikel kaplı
Kablo tutucu	: Polyamid PA6 V2
Bağlantı dişi M	: EN 60423
Koruma sınıfı	: IP 65
Isıya direnci	: - 40 °C + 100 °C
Conta	: Termoplastik vulkanize TPV
O-ring	: Nitril kauçuk



## METAL CABLE GLANDS STANDARD TYPE/BRASS MULTIHOLE - FLATHOLE

### METRIC THREAD CABLE GLANDS

PRODUCT RANGE OVERVIEW

AG Thread	Code	Number of Holes	C mm
M 16 x 1,5	OMBG 02A3	2	3
M 16 x 1,5	OMBG 02B3	3	3
M 16 x 1,5	OMBG 02C3	4	3
M 20 x 1,5	OMBG 03A5	2	5
M 20 x 1,5	OMBG 03A6	2	6
M 20 x 1,5	OMBG 03B4	3	4
M 20 x 1,5	OMBG 03B5	3	5
M 25 x 1,5	OMBG 04A4	2	4
M 25 x 1,5	OMBG 04A7	2	7
M 25 x 1,5	OMBG 04B4	3	4
M 25 x 1,5	OMBG 04B6	3	6
M 25 x 1,5	OMBG 04C5	4	5
M 32 x 1,5	OMBG 05A8	2	8
M 32 x 1,5	OMBG 05A9	2	9
M 32 x 1,5	OMBG 05B7	3	7
M 32 x 1,5	OMBG 05B8	3	8
M 32 x 1,5	OMBG 05C7	4	7
M 32 x 1,5	OMBG 05G3	8	3
M 32 x 1,5	OMBG 05G4	8	4
M 32 x 1,5	OMBG 05D6	5	6
M 32 x 1,5	OMBG 05F4	9	4
M 32 x 1,5	OMBG 05A5	2	5
M 40 x 1,5	OMBG 06C9	4	9
M 40 x 1,5	OMBG 06O3	16	3
M 50 x 1,5	OMBG 07E8	6	8
FLATHOLE METRIC CABLE GLANDS		A / mm	B / mm
M 25 x 1,5	YMBG 06	7	13
M 32 x 1,5	YMBG 07	7	15
M 40 x 1,5	YMBG 08	8	22
M 50 x 1,5	YMBG 09	10	28
M 63 x 1,5	YMBG 10	14	45

IP 65

Halogen free




**ORTAC METAL CABLE GLANDS SERIES**

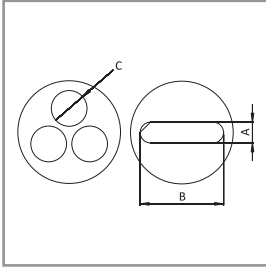
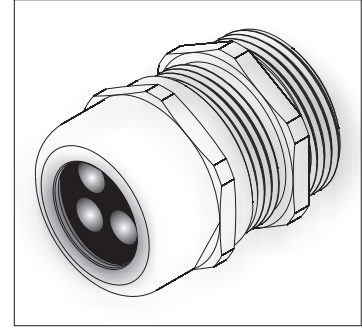
**TECHNICAL DETAILS**
**Material**

Cap nut	: Brass with nickel plated
Clamping Insert	: Polyamide PA6 V2
Sealing ring	: TPV (special seal for multi or flat cables)
Gland body	: Brass with nickel plated
O-ring	: NBR
Connection thread	: PG (DIN 40430)
Protection class	: IP65
Temperature range	: -40 °C + 100 °C

**Properties**

For multi or flat cables  
Easy to assemble  
Halogen free

# METAL CABLE GLANDS STANDARD TYPE/BRASS MULTIHOLE - FLATHOLE


**MULTİ ETANJ PRİNÇ RAKOR**

Hammaddesi	: Pirinç, nikel kaplı
Kablo tutucu	: Polyamid PA6 V2
Bağlantı dişi PG	: DIN 40430
Koruma sınıfı	: IP 65
Isıya direnci	: - 40 °C + 100 °C
Conta	: Termoplastik vulkanize TPV
O-ring	: Nitril kauçuk

**PG THREAD CABLE GLANDS**
**PRODUCT RANGE OVERVIEW**

AG Thread	Code	Number of Holes	C mm
PG 9	OPBG 02A3	2	3
PG 9	OPBG 02B3	3	3
PG 9	OPBG 02C3	4	3
PG 11	OPBG 03A4	2	4
PG 11	OPBG 03A5	2	5
PG 11	OPBG 03B4	3	4
PG 11	OPBG 03B5	3	5
PG 13,5	OPBG 04A5	2	5
PG 13,5	OPBG 04A6	2	6
PG 13,5	OPBG 04B4	3	4
PG 13,5	OPBG 04B5	3	5
PG 16	OPBG 05A4	2	4
PG 16	OPBG 05A7	2	7
PG 16	OPBG 05B4	3	4
PG 16	OPBG 05B6	3	6
PG 16	OPBG 05C5	4	5
PG 21	OPBG 06A8	2	8
PG 21	OPBG 06A9	2	9
PG 21	OPBG 06B7	3	7
PG 21	OPBG 06B8	3	8
PG 21	OPBG 06C7	4	7
PG 21	OPBG 06G3	8	3
PG 21	OPBG 06G4	8	4
PG 21	OPBG 06A5	2	5
PG 21	OPBG 06D6	5	6
PG 21	OPBG 06F4	9	4
PG 29	OPBG 07C9	4	9
PG 29	OPBG 07O3	16	3
PG 36	OPBG 06E8	6	8
FLATHOLE PG CABLE GLANDS		<b>A / mm</b>	<b>B / mm</b>
PG 16	YPBG 05	7	13
PG 21	YPBG 06	7	15
PG 29	YPBG 07	8	22
PG 36	YPBG 08	10	28
PG 42	YPBG 09	12	33
PG 48	YPBG 10	14	45

IP 65

Halogen free

## ORTAC METAL CABLE GLANDS SERIES

### TECHNICAL DETAILS

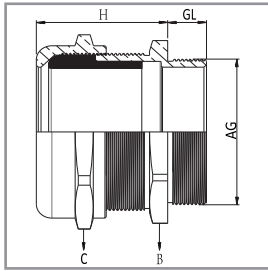
#### Material

Cap nut	: Brass with nickel plated
Sealing part	: EPDM
Gland body	: Brass with nickel plated
O-ring	: NBR
Connection thread	: Metric (EN 60423)
Protection class	: IP68
Temperature range	: -40 °C +140 °C

#### Properties

High impact and temperature resistance  
Easy to assemble  
Wide cable range  
Halogen free

## METAL CABLE GLANDS SPECIAL TYPE BRASS



### ÖZEL BOY ETANJ PİRİNÇ RAKOR

Hammaddesi	: Pirinç, nikel kaplı
Bağlantı dişi M	: EN 60423
Koruma sınıfı	: IP 68 5 bar
Isıya direnci	: -40 °C + 140 °C
Conta	: EPDM (Etilen-Propilen-Dien-Monomer)
O-ring	: Nitril kauçuk



### SPECIAL TYPE CABLE GLANDS

AG Thread	Code	H mm	GL mm	B mm	C mm	Ø mm
M 63 x 1,5	OMBG 17	48	15	70	75	45 - 55
M 75 x 1,5	OMBG 18S	48	20	85	75	45 - 55
M 75 x 1,5	OMBG 18	58	20	90	90	50 - 63
M 80 x 2,0	OMBG 1880	58	20	90	90	50 - 63
M 90 x 2,0	OMBG 19	61	20	100	100	60 - 70
2 1/2"	ONBG 18S	48	20	85	75	45 - 55
2 1/2"	ONBG 18	58	20	90	90	50 - 63
3"	ONBG 19	61	20	100	100	60 - 70

PRODUCT RANGE OVERVIEW

IP 68

Halogen free

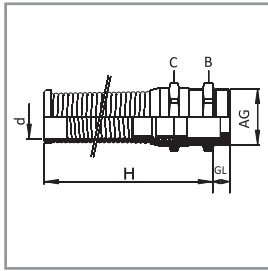

**ORTAC METAL CABLE GLANDS SERIES**
**TECHNICAL DETAILS**
**Material**

Cap nut	: Brass with nickel plated
Spiral top	: Stainless steel (1.4310/AISI302)
Clamping insert	: Polyamide PA6 V2
Sealing ring	: TPV
Gland body	: Brass with nickel plated
O-ring	: NBR
Connection thread	: Metric (EN 60423)/PG (DIN 40430)
Protection class	: IP68
Temperature range	: -40 °C +100 °C

**Properties**


With spiral top for bend protection  
 For highly movable flexible cables  
 Easy to assemble  
 Halogen free

# METAL CABLE GLANDS SPIRAL TYPE BRASS


**SPİRAL UÇLU ETANJ PRİNÇ RAKOR**

Hammaddesi	: Pirinç, nikel kaplı
Spiral yay hammaddesi	: Paslanmaz çelik (1.4310/AISI302)
Kablo tutucu	: Polyamid PA6 V2
Bağlantı dişi M	: EN 60423
Bağlantı dişi PG	: DIN 40430
Koruma sınıfı	: IP 68
Isıya direnci	: - 40 °C + 100 °C
Conta	: Termoplastik vulkanize TPV
O-ring	: Nitril kauçuk

**METRIC/PG THREAD CABLE GLANDS**

AG Thread	Code	H mm	GL mm	d mm	B mm	C mm	 mm
M 12 x 1,5	STCG 01	55	6	6,8	14	14	3 - 6,5
M 16 x 1,5	STCG 02	66	7	8,2	18	17	4 - 8
M 20 x 1,5	STCG 03	88	8	12,3	22	22	6 - 12
M 25 x 1,5	STCG 04	98	8	14,3	27	24	10 - 14
M 32 x 1,5	STCG 05	111	9	18,4	34	30	13 - 18
<b>LONG METRIC SPIRAL CABLE GLANDS</b>							
M 12 x 1,5	STCGL 01	55	12	6,8	14	14	3 - 6,5
M 16 x 1,5	STCGL 02	66	12	8,2	18	17	4 - 8
M 20 x 1,5	STCGL 03	88	12	12,3	22	22	6 - 12
M 25 x 1,5	STCGL 04	98	12	14,3	27	24	10 - 14
M 32 x 1,5	STCGL 05	111	14	18,4	34	30	13 - 18
<b>LONG PG SPIRAL CABLE GLANDS</b>							
PG 7	STPG 01	55	6	6,8	14	14	3 - 6,5
PG 9	STPG 02	66	6	8,2	17	17	4 - 8
PG 11	STPG 03	77	6	10,3	20	20	5 - 10
PG 13,5	STPG 04	88	6,5	12,3	22	22	6 - 12
PG 16	STPG 05	98	6,5	14,3	24	24	10 - 14
PG 21	STPG 06	111	7	18,4	30	30	13 - 18
<b>LONG PG SPIRAL CABLE GLANDS</b>							
PG 7	STPGL 01	55	10	6,8	14	14	3 - 6,5
PG 9	STPGL 02	66	10	8,2	17	17	4 - 8
PG 11	STPGL 03	77	10	10,3	20	20	5 - 10
PG 13,5	STPGL 04	88	10	12,3	22	22	6 - 12
PG 16	STPGL 05	98	10	14,3	24	24	10 - 14
PG 21	STPGL 06	111	12	18,4	30	30	13 - 18

**PRODUCT RANGE OVERVIEW**

IP 68

Halogen free

## ORTAC METAL CABLE GLANDS SERIES

### TECHNICAL DETAILS

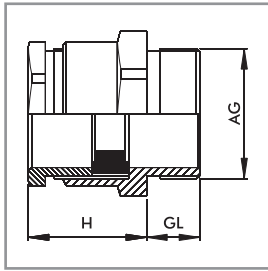
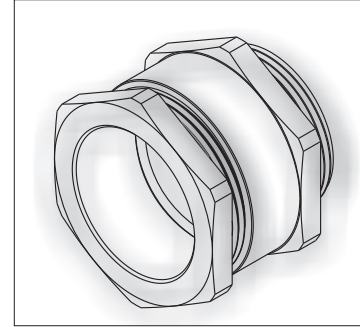
#### Material

Cap nut	: Brass with nickel plated
Sealing ring	: TPV
Gland body	: Brass with nickel plated
O-ring	: NBR
Connection thread	: Metric (EN 60423) / PG (DIN 40430)
Protection class	: IP54
Temperature range	: -40 °C +100 °C

#### Properties

Easy to assemble  
Halogen free  
High mechanical stability  
Optimum strain relief

## A2 METAL CABLE GLANDS FLAT TYPE BRASS



### DÜZ TİP PİRİNÇ RAKOR

Hammaddesi	: Pirinç, nikel kaplı
Bağlantı dişi M	: EN 60423
Bağlantı dişi PG	: DIN 40430
Koruma sınıfı	: IP 54
Isıya direnci	: - 40 °C + 100 °C
Conta	: Termoplastik vulkanize TPV
O-ring	: Nitril kauçuk



### METRIC/PG THREAD CABLE GLANDS

PRODUCT RANGE OVERVIEW

AG Thread	Code	H mm	GL mm	mm	mm
M 12 x 1,5	DOMR 01	16	5	14	3,5 - 6
M 16 x 1,5	DOMR 02	17	5	18	4,5 - 7
M 20 x 1,5	DOMR 03	19	6	22	9 - 12
M 25 x 1,5	DOMR 04	20,5	7	27	11 - 14
M 32 x 1,5	DOMR 05	22,5	8	34	14 - 18
M 40 x 1,5	DOMR 06	25	8	45	18 - 25
M 50 x 1,5	DOMR 07	30	9	55	25 - 32
M 63 x 1,5	DOMR 08	47	15	70	38 - 44
M 63 x 1,5	DOMR 09	47	15	70	40 - 49
PG 7	DOPR 01	16	5	14	3,5 - 6
PG 9	DOPR 02	17	6	17	4,5 - 7
PG 11	DOPR 03	18	6	20	6 - 9
PG 13,5	DOPR 04	19	6,5	22	9 - 12
PG 16	DOPR 05	20,5	6,5	24	11 - 14
PG 21	DOPR 06	22,5	7	30	14 - 18
PG 29	DOPR 07	25	8	40	18 - 25
PG 36	DOPR 08	30	9	50	25 - 32
PG 42	DOPR 09	34	10	60	30 - 38
PG 48	DOPR 10	47	15	70	38 - 44
PG 48	DOPR 11	47	15	70	40 - 49

IP 54

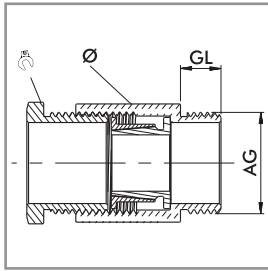
Halogen free


**ORTAC METAL CABLE GLANDS SERIES**
**TECHNICAL DETAILS**
**Material**

Cap nut	: Brass with nickel plated
Ring	: Brass with nickel plated
Compression part	: Brass with nickel plated
Gland body	: Brass with nickel plated
O-ring	: NBR
Connection thread	: Metric (EN 60423)
Protection class	: IP54
Temperature range	: -40 °C +100 °C

**Properties**

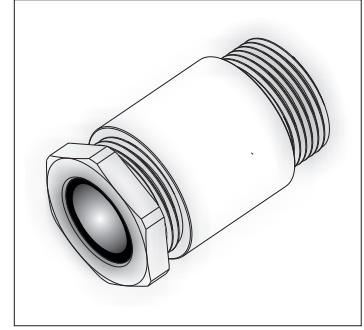
Shipbuilding  
Off shore  
Wind power plants  
For armoured cables  
Wide cable range


**VG TİP TOPRAKLAMALI RAKOR**

Hammaddesi	: Pirinç, nikel kaplı
Koruma sınıfı	: IP 54
Isıya direnci	: - 40 °C + 100 °C
O-ring	: Nitril kauçuk
Norm	: VG 88812 VG 88773
Gövde Din normu	: 89280



# METAL CABLE GLANDS FOR ARMOURED CABLES BRASS


**METRIC THREAD CABLE GLANDS**

AG Thread	Code	GL mm	Ø mm	mm	mm
M 16 x 1,5	MACG16A	9	20	20	10,5
M 18 x 1,5	MACG18A	10	22	22	11,5
M 18 x 1,5	MACG18B	10	22	22	11,5 - 12,5
M 24 x 1,5	MACG24A	11	28	27	11,5
M 24 x 1,5	MACG24B	11	28	27	11,5 - 13,5
M 24 x 1,5	MACG24C	11	28	27	13,3 - 16,5
M 30 x 2,0	MACG30A	12	35	32	16,5 - 18
M 30 x 2,0	MACG30B	12	35	32	18 - 19,5
M 30 x 2,0	MACG30C	12	35	32	19,5 - 20,5
M 36 x 2,0	MACG36A	13	40	40	20,5 - 22,5
M 36 x 2,0	MACG36B	13	40	40	22,5 - 25,5
M 45 x 2,0	MACG45A	14	50	50	25,5 - 27,5
M 45 x 2,0	MACG45B	14	50	50	27,5 - 31,5
M 56 x 2,0	MACG56A	15	62	60	31,5 - 34
M 56 x 2,0	MACG56B	15	62	60	34 - 37,5
M 56 x 2,0	MACG56C	15	62	60	37,5 - 41
M 72 x 2,0	MACG72A	16	78	75	41 - 46
M 72 x 2,0	MACG72B	16	78	75	46 - 50,5

**PRODUCT RANGE OVERVIEW**

IP 54

## ORTAC METAL CABLE GLANDS SERIES

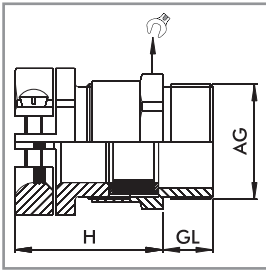
### TECHNICAL DETAILS

#### Material

Cap nut	: Brass with nickel plated
Sealing ring	: TPV
Gland body	: Brass with nickel plated
O-ring	: NBR
Connection thread	: Metric (EN 60423) / PG (DIN 40430)
Protection class	: IP54
Temperature range	: -40 °C +100 °C

#### Properties

High strain relief  
High mechanical stability  
Building sites  
Plant engineering  
Electric motor manufacturing

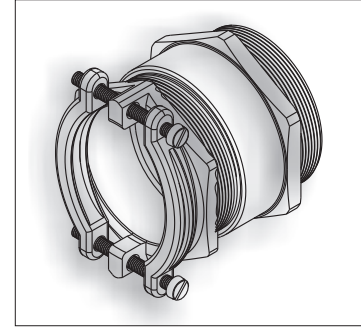


### KELEPÇELİ PİRİNÇ RAKOR

Hammaddesi	: Pirinç, nikel kaplı
Bağlantı dişi M	: EN 60423
Bağlantı dişi PG	: DIN 40430
Koruma sınıfı	: IP 54
Isıya direnci	: - 40 °C + 100 °C
Conta	: Termoplastik vulkanize TPV
O-ring	: Nitril kauçuk



## METAL CABLE GLANDS WITH TRACTION RELIEF BRASS



### METRIC/PG THREAD CABLE GLANDS

PRODUCT RANGE OVERVIEW

AG Thread	Code	H mm	GL mm	mm	mm
M 12 x 1,5	OKMR 01	22	5	14	3,5 - 6
M 16 x 1,5	OKMR 02	25	5	18	4,5 - 7
M 20 x 1,5	OKMR 03	26,5	6	22	9 - 12
M 25 x 1,5	OKMR 04	32	7	27	11 - 14
M 32 x 1,5	OKMR 05	35	8	34	14 - 18
M 40 x 1,5	OKMR 06	41	8	45	18 - 25
M 50 x 1,5	OKMR 07	44	9	55	25 - 32
M 63 x 1,5	OKMR 08	59	15	70	38 - 44
M 63 x 1,5	OKMR 09	59	15	70	40 - 49
PG 7	OKPR 01	22	5	14	3,5 - 6
PG 9	OKPR 02	25	6	17	4,5 - 7
PG 11	OKPR 03	26	6	20	6 - 9
PG 13,5	OKPR 04	26,5	6,5	22	9 - 12
PG 16	OKPR 05	28	6,5	24	11 - 14
PG 21	OKPR 06	32	7	30	14 - 18
PG 29	OKPR 07	35	8	40	18 - 25
PG 36	OKPR 08	41	9	50	25 - 32
PG 42	OKPR 09	44	10	60	30 - 38
PG 48	OKPR 10	59	15	70	38 - 44
PG 48	OKPR 11	59	15	70	40 - 49

IP 54

Halogen free


**ORTAC METAL ACCESSORIES**
**TECHNICAL DETAILS**
**Material**

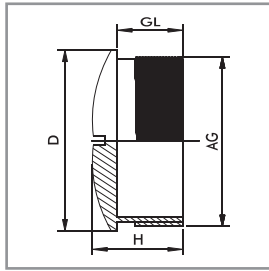
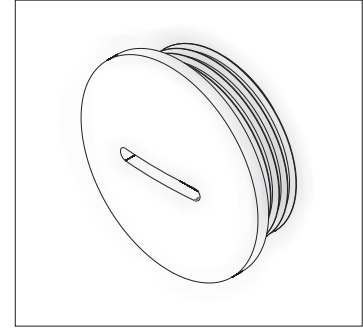
Screw plug	: Brass with nickel plated
Sealing ring	: NBR
Connection thread	: Metric (EN 60423) / PG (DIN 40430)
Protection class	: IP68
Temperature range	: -40 °C +100 °C

**Properties**

For unused threaded holes  
 Assembling with screwdriver  
 Machine and equipment manufacturing  
 Electric motor manufacturing

# METAL BLIND STOPS

BRASS


**PİRİNÇ KÖRTAPA**

Hammaddesi	: Pirinç, nikel kaplı
Bağlantı dişi M	: EN 60423
Bağlantı dişi PG	: DIN 40430
Koruma sınıfı	: IP 68
O-ring	: Nitril kauçuk


**METRIC/PG THREAD BLIND STOPS**
**PRODUCT RANGE OVERVIEW**

AG Thread	Code	H mm	GL mm	D mm
M 12 x 1,5	OMBK 01	7,5	5	14
M 16 x 1,5	OMBK 02	8	5	18
M 20 x 1,5	OMBK 03	9,5	6,5	22
M 25 x 1,5	OMBK 04	11	7	28
M 32 x 1,5	OMBK 05	12	8	35
M 40 x 1,5	OMBK 06	13	8,5	44
M 50 x 1,5	OMBK 07	15	9	54
M 63 x 1,5	OMBK 08	16	10	67
PG 7	OPBK 01	8	5	14
PG 9	OPBK 02	9	6	17
PG 11	OPBK 03	9	6	20
PG 13,5	OPBK 04	9,5	6,5	22
PG 16	OPBK 05	9,5	6,5	24
PG 21	OPBK 06	11	7	30
PG 29	OPBK 07	12	8	39
PG 36	OPBK 08	15	9	50
PG 42	OPBK 09	16	10	57
PG 48	OPBK 10	16	10	64

IP 68

## ORTAC METAL ACCESSORIES

### TECHNICAL DETAILS

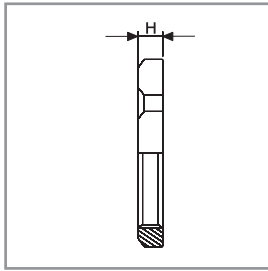
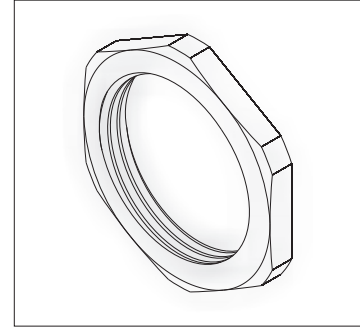
#### Material

Hexagonal locknut : Brass with nickel plated  
Connection thread : Metric (EN 60423) / PG (DIN 40430)  
Temperature range : -40 °C +100 °C

#### Properties

For tightening of cable glands

## METAL LOCK NUTS BRASS




### PİRİNÇ SOMUN

Hammaddesi : Pirinç, nikel kaplı  
Bağlantı dişi M : EN 60423  
Bağlantı dişi PG : DIN 40430



### METRIC/PG THREAD LOCK NUTS

#### PRODUCT RANGE OVERVIEW

AG Thread	Code	H mm	 mm
M 12 x 1,5	OMBL 01	2,8	15
M 16 x 1,5	OMBL 02	3	19
M 20 x 1,5	OMBL 03	3,5	24
M 25 x 1,5	OMBL 04	3,5	30
M 32 x 1,5	OMBL 05	4	36
M 40 x 1,5	OMBL 06	4	45
M 50 x 1,5	OMBL 07	5	55
M 63 x 1,5	OMBL 08	5	68
PG 7	OPBL 01	2,8	15
PG 9	OPBL 02	2,8	18
PG 11	OPBL 03	3	21
PG 13,5	OPBL 04	3	23
PG 16	OPBL 05	3	26
PG 21	OPBL 06	3,5	32
PG 29	OPBL 07	4	40
PG 36	OPBL 08	5	50
PG 42	OPBL 09	5	60
PG 48	OPBL 10	5,5	64




**ORTAC METAL ACCESSORIES**

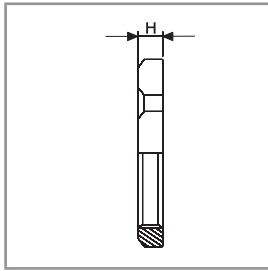
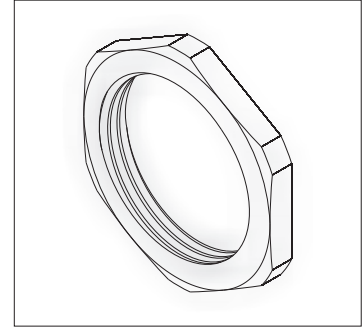
**TECHNICAL DETAILS**
**Material**

Hexagonal locknut : Stainless steel AISI303/AISI316L  
 Connection thread : Metric (EN 60423) / PG (DIN 40430)  
 Temperature range : -40 °C +100 °C

**Properties**


For tightening of stainless steel  
 cable glands

## METAL LOCK NUTS STAINLESS STEEL


**PASLANMAZ SOMUN**

Hammaddesi : Paslanmaz AISI303/AISI316L  
 Bağlantı dişi M : EN 60423  
 Bağlantı dişi PG : DIN 40430


**METRIC/PG THREAD LOCK NUTS**
**PRODUCT RANGE OVERVIEW**

AG Thread	Code	H mm	 mm
M 12 x 1,5	OMSL 01	2,8	15
M 16 x 1,5	OMSL 02	3	19
M 20 x 1,5	OMSL 03	3,5	24
M 25 x 1,5	OMSL 04	3,5	30
M 32 x 1,5	OMSL 05	4	36
M 40 x 1,5	OMSL 06	4	46
M 50 x 1,5	OMSL 07	5	55
M 63 x 1,5	OMSL 08	5	70
PG 7	OPSL 01	2,8	15
PG 9	OPSL 02	2,8	18
PG 11	OPSL 03	3	22
PG 13,5	OPSL 04	3	24
PG 16	OPSL 05	3	27
PG 21	OPSL 06	3,5	32
PG 29	OPSL 07	4	41
PG 36	OPSL 08	5	50
PG 42	OPSL 09	5	60
PG 48	OPSL 10	5,5	65

## ORTAC METAL ACCESSORIES

### TECHNICAL DETAILS

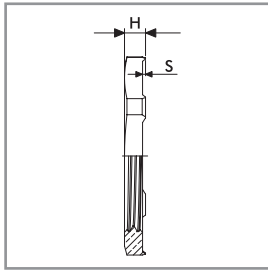
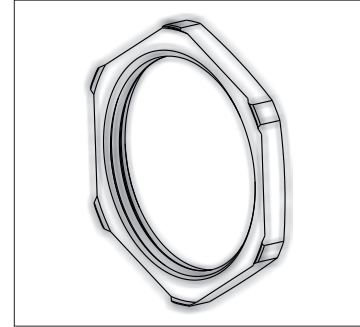
#### Material

Hexagonal locknut : Brass with nickel plated  
Connection thread : Metric (EN 60423) / PG (DIN 40430)  
Temperature range : -40 °C +100 °C

#### Properties

For tightening of  
EMC cable glands

## EMC METAL LOCK NUTS BRASS



### EMC SOMUN

Hammaddesi : Prinç, Nikel Kaplı  
Bağlantı dişi M : EN 60423  
Bağlantı dişi PG : DIN 40430



### METRIC/PG THREAD LOCK NUTS

#### PRODUCT RANGE OVERVIEW

AG Thread	Code	H mm	S mm	mm
M 12 x 1,5	OMBLT 01	3,3	0,5	15
M 16 x 1,5	OMBLT 02	3,5	0,5	19
M 20 x 1,5	OMBLT 03	3,5	0,5	24
M 25 x 1,5	OMBLT 04	3,5	0,5	30
M 32 x 1,5	OMBLT 05	4,0	0,5	36
M 40 x 1,5	OMBLT 06	4,6	0,6	45
M 50 x 1,5	OMBLT 07	5,6	0,6	55
M 63 x 1,5	OMBLT 08	6,7	0,7	70
M 75 x 1,5	OMBLT 09	8,0	1,0	85
PG 7	OPBLT 01	3,3	0,5	15
PG 9	OPBLT 02	3,3	0,5	18
PG 11	OPBLT 03	3,5	0,5	21
PG 13,5	OPBLT 04	3,5	0,5	23
PG 16	OPBLT 05	3,5	0,5	26
PG 21	OPBLT 06	4,0	0,5	32
PG 29	OPBLT 07	4,6	0,6	40
PG 36	OPBLT 08	5,6	0,6	50
PG 42	OPBLT 09	5,6	0,6	60
PG 48	OPBLT 10	6,1	0,6	65



## ORTAC METAL ACCESSORIES

### TECHNICAL DETAILS

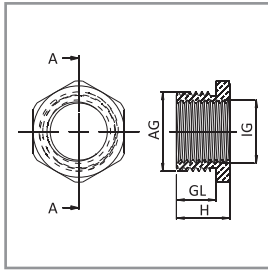
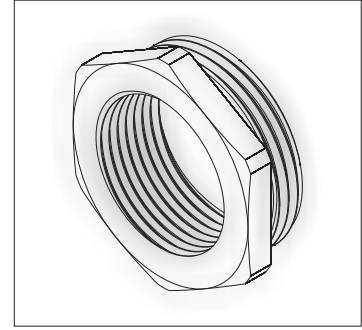
#### Material

Reducer	: Brass with nickel plated
O-ring	: NBR
Connection thread	: Metric (EN 60423)/PG (DIN40430)
Protection class	: IP68
Temperature range	: -40 °C +100 °C

#### Properties

Enable use of cable glands with smaller connection threads than the existing threaded holes

## METAL REDUCERS BRASS



### PİRİNÇ REDÜKSİYON

Hammaddesi	: Pirinç, nikel kaplı
Bağlantı dişi M	: EN 60423
Bağlantı dişi PG	: DIN 40430
Koruma sınıfı	: IP 68
O-ring	: Nitril kauçuk



### METRIC/PG THREAD REDUCERS

#### PRODUCT RANGE OVERVIEW

AG Thread	Code	IG mm	H mm	GL mm	Type 1 mm	Type 2 Ø mm
M 16 x 1,5	M16RM12	M 12 x 1,5	9	6	18	18
M 20 x 1,5	M20RM12	M 12 x 1,5	9	6	22	24
M 20 x 1,5	M20RM16	M 16 x 1,5	9	6	22	24
M 25 x 1,5	M25RM16	M 16 x 1,5	10	7	27	30
M 25 x 1,5	M25RM20	M 20 x 1,5	10	7	27	30
M 32 x 1,5	M32RM16	M 16 x 1,5	11	8	34	35
M 32 x 1,5	M32RM20	M 20 x 1,5	11	8	34	35
M 32 x 1,5	M32RM25	M 25 x 1,5	11	8	34	35
M 40 x 1,5	M40RM20	M 20 x 1,5	12	8	45	45
M 40 x 1,5	M40RM25	M 25 x 1,5	12	8	45	45
M 40 x 1,5	M40RM32	M 32 x 1,5	12	8	45	45
M 50 x 1,5	M50RM25	M 25 x 1,5	14	10	55	55
M 50 x 1,5	M50RM32	M 32 x 1,5	14	10	55	55
M 50 x 1,5	M50RM40	M 40 x 1,5	14	10	55	55
M 63 x 1,5	M63RM32	M 32 x 1,5	14	10	65	68
M 63 x 1,5	M63RM40	M 40 x 1,5	14	10	65	68
M 63 x 1,5	M63RM50	M 50 x 1,5	14	10	65	68
PG 9	P9RP7	PG 7	9	6	17	17
PG 11	P11RP7	PG 7	9	6	20	20
PG 11	P11RP9	PG 9	9	6	20	20
PG 13,5	P13,5RP9	PG 9	9,5	6,5	22	22
PG 13,5	P13,5RP11	PG 11	9,5	6,5	22	-
PG 16	P16RP9	PG 9	9,5	6,5	24	24
PG 16	P16RP11	PG 11	9,5	6,5	24	24
PG 16	P16RP13,5	PG 13,5	9,5	6,5	24	-
PG 21	P21RP11	PG 11	11	7	30	30
PG 21	P21RP13,5	PG 13,5	11	7	30	30
PG 21	P21RP16	PG 16	11	7	30	30
PG 29	P29RP16	PG 16	12	8	40	40
PG 29	P29RP21	PG 21	12	8	40	40
PG 36	P36RP21	PG 21	13	9	50	50
PG 36	P36RP29	PG 29	13	9	50	50
PG 42	P42RP29	PG 29	14	10	60	59
PG 42	P42RP36	PG 36	14	10	60	59
PG 48	P48RP36	PG 36	14	10	65	64
PG 48	P48RP42	PG 42	14	10	65	64

IP 68

## ORTAC METAL ACCESSORIES

### TECHNICAL DETAILS

#### Material

Enlarger	: Brass with nickel plated
O-ring	: NBR
Connection thread	: Metric (EN 60423)/PG (DIN40430)
Protection class	: IP68
Temperature range	: -40 °C +100 °C

#### Properties

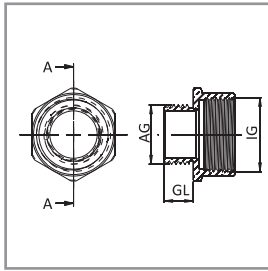
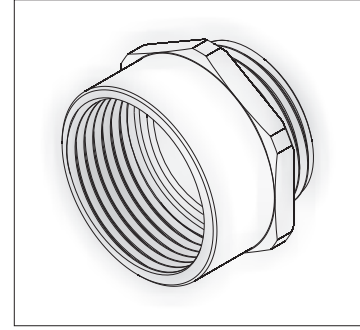
Enable use of cable glands with bigger connection threads than the existing threaded holes

## METAL

## ENLARGERS

## METRIC-METRIC/PG-PG

## BRASS



### BÜYÜTÜCÜ PİRİNÇ REDÜKSİYON

Hammaddesi	: Pirinç, nikel kaplı
Bağlantı dişi M	: EN 60423
Bağlantı dişi PG	: DIN 40430
O-ring	: Nitril kauçuk



### METRIC/PG THREAD ENLARGERS

#### PRODUCT RANGE OVERVIEW

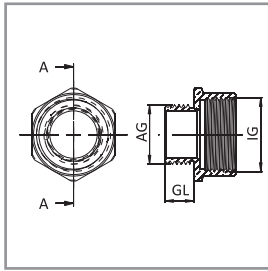
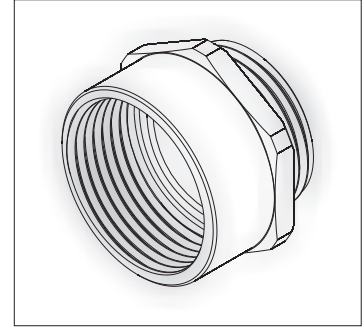
AG Thread	Code	IG mm	GL mm	mm
M 12 x 1,5	M12EM16	M 16 x 1,5	6	18
M 16 x 1,5	M16EM20	M 20 x 1,5	6	22
M 20 x 1,5	M20EM25	M 25 x 1,5	6	27
M 25 x 1,5	M25EM32	M 32 x 1,5	7	34
M 32 x 1,5	M32EM40	M 40 x 1,5	8	45
M 40 x 1,5	M40EM50	M 50 x 1,5	8	55
M 50 x 1,5	M50EM63	M 63 x 1,5	10	70
PG 7	P7EP9	PG 9	6	18
PG 9	P9EP11	PG 11	6	21
PG 11	P11EP13,5	PG 13,5	6	23
PG 13,5	P13,5EP16	PG 16	6	25
PG 16	P16EP21	PG 21	7	32
PG 21	P21EP29	PG 29	7	42
PG 29	P29EP36	PG 36	8	50
PG 36	P36EP42	PG 42	9	60
PG 42	P42EP48	PG 48	10	65


**ORTAC METAL ACCESSORIES**
**TECHNICAL DETAILS**
**Material**

Adapter	: Brass with nickel plated
O-ring	: NBR
Connection thread	: Metric (EN 60423)/PG (DIN40430)
Protection class	: IP68
Temperature range	: -40 °C +100 °C


**Properties**

Adapter from metric outer thread to PG inner thread  
Enable use of PG accessories in metric threads

**METAL**
**ADAPTERS**
**METRIC-PG/PG-METRIC**
**BRASS**

**PİRİNÇ ADAPTÖR**

Hammaddesi	: Pirinç, nikel kaplı
Bağlantı dişi M	: EN 60423
Bağlantı dişi PG	: DIN 40430
O-ring	: Nitril kauçuk


**METRIC/PG THREAD ADAPTERS**
**PRODUCT RANGE OVERVIEW**

AG Thread	Code	IG mm	GL mm	 mm
M 12 x 1,5	M12AP7	PG 7	6	14
M 12 x 1,5	M12AP9	PG 9	6	17
M 16 x 1,5	M16AP11	PG 11	6	21
M 20 x 1,5	M20AP11	PG 11	6	22
M 20 x 1,5	M20AP13,5	PG 13,5	6	23
M 25 x 1,5	M25AP16	PG 16	7	27
M 25 x 1,5	M25AP21	PG 21	7	32
M 32 x 1,5	M32AP29	PG 29	8	42
M 40 x 1,5	M40AP29	PG 29	8	45
M 50 x 1,5	M50AP36	PG 36	10	55
M 50 x 1,5	M50AP42	PG 42	10	60
M 63 x 1,5	M63AP48	PG 48	10	65
PG 7	P7AM12	M 12 x 1,5	6	14
PG 9	P9AM16	M 16 x 1,5	6	19
PG 11	P11AM16	M 16 x 1,5	6	21
PG 13,5	P13,5AM20	M 20 x 1,5	6	23
PG 16	P16AM20	M 20 x 1,5	7	25
PG 16	P16AM25	M 25 x 1,5	7	28
PG 21	P21AM25	M 25 x 1,5	7	30
PG 21	P21AM32	M 32 x 1,5	7	35
PG 29	P29AM40	M 40 x 1,5	8	45
PG 36	P36AM50	M 50 x 1,5	9	55
PG 42	P42AM63	M 63 x 1,5	10	70



# ESTABLISH SAFETY CONNECTION IN HAZARDOUS AREAS





## PART NUMBERING

W	Without Certification (Industrial)	
DCG	Name Of Gland	
B	Brass	
N	Nickel Plating	
Sa	AISI303 Stainless Steel	
Sb	AISI304 Stainless Steel	
Sc	AISI316L Stainless Steel	
A	Aluminium	
1	TPV Seal (-30 / +100 °c)	1a
	PA6 V0 Washer (-40 / +100 °c)	
	PA6 V0 Upper Washer (-40 / +100 °c)	
2	Nbr Seal (-30 / +100 °c)	2a
	PA6 V0 Washer (-40 / +100 °c)	
	PA6 V0 Upper Washer (-40 / +100 °c)	
3	Neoprene Seal (-40 / +100 °c)	3a 3a2
	PA6 V0 Washer (-40 / +100 °c)	
	PA6 V0 Upper Washer (-40 / +100 °c)	
4	Silicone Seal (-60 / +180 °c)	4a
	Silicone Washer (-60 / +180 °c)	
	Teflon Upper Silicone (-200 / +260 °c)	
*	Cable Dia.	
**	Thread Type	
K	Kit ( Earth Tag + Pvc Shroud)	
E	Earth Tag	
T	Tpv Shroud (halogen Free)	
P	Pvc Shroud	

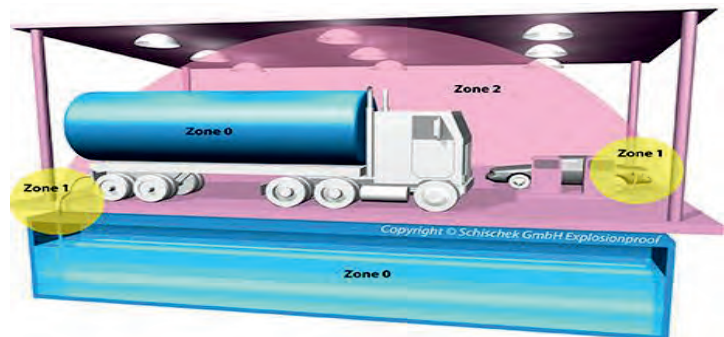
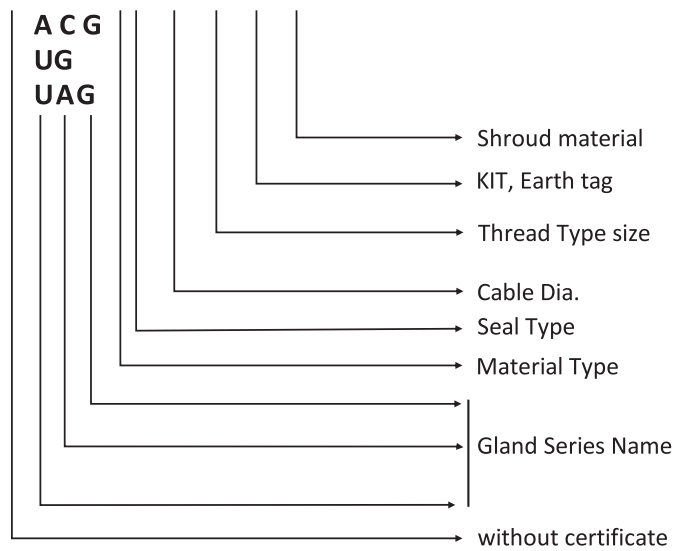
Alternative Washer Options	
1a	Nbr Washer (-30 / +100 °c)
2a	Nbr Washer (-30 / +100 °c)
3a	Nbr Washer (-30 / +100 °c)
3a2	Neoprene Washer (-40 / +100 °c)
3b	Teflon Upper Washer (-200 / +260 °c)
4a	Teflon Upper Washer (-200 / +260 °c)

W	DCG	B	1	*	**	K	t
		N	2			E	p
		Sa	3				
		Sb	4				
		Sc					
		A					

WDCGN1-20-M20-t  
DCGN1-20-M20-t

DCGSc2-20-M20-K  
DCGSc2-20-M20-Kt

W D C G X X - X - X - X - X



### Example Parts Numbering

DCGN1-32-M32	M32x1,5 Etna Serie Double Compression Brass Nickel Plated Ex Cable Glands
DCGN1-32-M32-K	M32x1,5 Etna Serie Double Compression Brass Nickel Plated Ex Cable Gland Kit
ACGSa2-32-M32	M32x1,5 Colima Serie Single Compression 303 Stainless Steel Ex Cable Glands
ACGSa2-32-M32-E	M32x1,5 Colima Serie Single Compression 303 Stainless Steel Ex Cable Glands + Earth Tag
DCGSc3-32-N1/2	NPT 1/2 Etna Serie Double Compression 316L Stainless Steel Ex Cable Glands + Shroud
DCGSc3-32-G1/2-t	GAS 1/2 Etna Serie Double Compression 316L Stainless Steel Ex Cable Glands + TPV Shroud
ACGSa3-32-P11s-Kt	PG11s Colima Serie Single Compression 316L Stainless Steel Ex Cable Glands + Kit (with TPV Shroud)

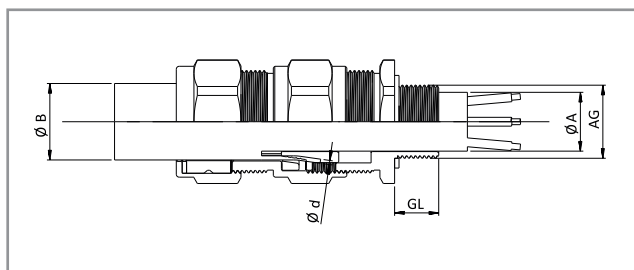
**DCG DOUBLE COMPRESSION**



**TECHNICAL DETAILS**

Type : DCG (Double compression gland)  
 Protection code : II 2G Exd/e IIC Gb II 1D Ex ta IIIC Da I M2 Exd/e I Mb  
 Certificate : IEP 14 ATEX 0216U  
 Material : MS58 Brass with or without nickel plated  
 Stainless steel AISI303 / 316L / Aluminium  
 Standards : EN 60079-0:2009, 60079-1:2007,60079-31:2009  
 Protection class : EN60529 IP66 / 68  
 Temperature : -30 °C / +120 °C NBR  
 -40 °C / +100 °C NEOPRENE  
 -60 °C / +180 °C SILICONE  
 -30 °C / +100 °C TPE/V  
 Application area : ZONE1, ZONE2, ZONE21, ZONE22,  
 Gas Groups IIA, IIB, IIC  
 Cable type : SWA (Single wire armour)  
 (STA & other cables optional)

ARMoured  
CABLE GLANDS  
DCG SERIES



PRODUCT RANGE OVERVIEW

Product Size	Product Code	Standard AG	AG NPT	AG	A		B		Ø d (Armour)		GL mm	mm
					Min	Max	Min	Max	Min	Max		
16	DCGXX/16/X	M16x1,5	1/2"	PG9	3,1	8,6	6,1	13,2	0,8	1,0	15	24
20ss	DCGXX/20ss/X	M20ssx1,5	1/2"	PG11ss	3,1	8,6	6,1	13,2	0,8	1,0	15	24
20s	DCGXX/20s/X	M20sx1,5	1/2"	PG11s	6,1	11,6	9,5	15,9	0,8	1,25	15	24
20	DCGXX/20/X	M20x1,5	1/2"	PG13,5	6,5	13,9	12,5	20,9	0,8	1,25	15	30
25s	DCGXX/25s/X	M25sx1,5	3/4"	PG21s	11,1	19,9	14	22	1,25	1,60	15	38
25	DCGXX/25/X	M25x1,5	3/4"	PG21	11,1	19,9	18,2	26,2	1,25	1,60	15	38
32	DCGXX/32/X	M32x1,5	1"	PG29	18,2	26,2	23,7	33,9	1,6	2,0	15	45
40	DCGXX/40/X	M40x1,5	1 1/4"	PG36s	23,7	33,9	27,9	40,4	1,6	2,0	15	55
50s	DCGXX/50s/X	M50sx1,5	1 1/2"	PG36	29,5	38,1	35,2	46,7	2,0	2,5	15	60
50	DCGXX/50/X	M50x1,5	2"	PG42	35,6	44,0	40,4	53,1	2,0	2,5	15	70
63s	DCGXX/63s/X	M63sx1,5	2"	PG48	40,1	49,9	45,6	59,4	2,0	2,5	15	75
63	DCGXX/63/X	M63x1,5	2 1/2"	-	47,2	55,9	54,6	65,9	2,0	2,5	15	80
75s	DCGXX/75s/X	M75sx1,5	2 1/2"	-	52,8	61,9	59	72,1	2,0	2,5	15	90
75	DCGXX/75/X	M75x1,5	3"	-	59,1	67,9	66,7	78,5	2,5	3,0	15	100
90	DCGXX/90/X	M90x2,0	3"	-	66,6	79,9	76,2	90,4	3,0	3,5	15	115
100	DCGXX/100/X	M100x2,0	-	-	76	90	86,1	101,5	3,15	4,0	15	123
115	DCGXX/115/X	M115x2,0	-	-	86	97,9	101,5	110,3	3,15	4,0	15	133
130	DCGXX/130/X	M130x2,0	-	-	97	114,9	114,2	123,3	3,15	4,0	15	146



# ORTAC $\text{Ex}$ COLIMASERIES



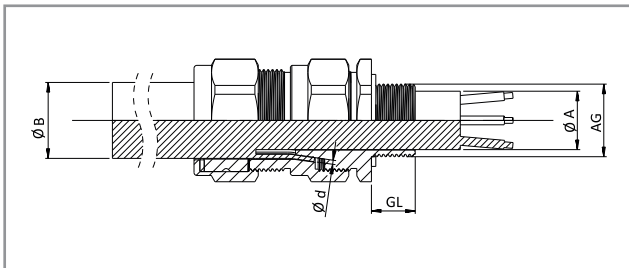
## ACG SINGLE COMPRESSION




### TECHNICAL DETAILS

Type	: ACG (Armoured cable gland)
Protection code	: II 2G Exd/e IIC Gb II 1D Ex ta IIIC Da I M2 Exd/e I Mb
Certificate	: IEP 14 ATEX 0215 U
Material	: MS58 Brass with or without nickel plated Stainless steel AISI303 / 316L / Aluminium
Standards	: EN 60079-0:2009, 60079-1:2007, 60079-31:2009
Protection class	: EN60529 IP66 / 68
Temperature	: -30 °C / +120 °C NBR -40 °C / +100 °C NEOPRENE -60 °C / +180 °C SILICONE -30 °C / +100 °C TPE/V
Application area	: ZONE1, ZONE2, ZONE21, ZONE22, Gas Groups IIA, IIB, IIC
Cable type	: SWA (Single wire armour) (STA & other cables optional)

## ARMOURED CABLE GLANDS ACG SERIES



### PRODUCT RANGE OVERVIEW

Product Size	Product Code	Standard AG	AG NPT	AG	A Min	B		Ø d (Armour)		GL mm	 mm
						Min	Max	Min	Max		
16	ACGXX/16/X	M16x1,5	1/2"	PG9	8,6	6,1	13,2	0,8	1,0	15	24
20ss	ACGXX/20ss/X	M20ssx1,5	1/2"	PG11ss	8,6	6,1	13,2	0,8	1,0	15	24
20s	ACGXX/20s/X	M20sx1,5	1/2"	PG11s	11,6	9,5	15,9	0,8	1,25	15	24
20	ACGXX/20/X	M20x1,5	1/2"	PG13,5	13,9	12,5	20,9	0,8	1,25	15	30
25s	ACGXX/25s/X	M25sx1,5	3/4"	PG21s	19,9	14	22	1,25	1,60	15	38
25	ACGXX/25/X	M25x1,5	3/4"	PG21	19,9	18,2	26,2	1,25	1,60	15	38
32	ACGXX/32/X	M32x1,5	1"	PG29	26,2	23,7	33,9	1,6	2,0	15	45
40	ACGXX/40/X	M40x1,5	1 1/4"	PG36s	33,9	27,9	40,4	1,6	2,0	15	55
50s	ACGXX/50s/X	M50sx1,5	1 1/2"	PG36	38,1	35,2	46,7	2,0	2,5	15	60
50	ACGXX/50/X	M50x1,5	2"	PG42	44,0	40,4	53,1	2,0	2,5	15	70
63s	ACGXX/63s/X	M63sx1,5	2"	PG48	49,9	45,6	59,4	2,0	2,5	15	75
63	ACGXX/63/X	M63x1,5	2 1/2"	-	55,9	54,6	65,9	2,0	2,5	15	80
75s	ACGXX/75s/X	M75sx1,5	2 1/2"	-	61,9	59	72,1	2,0	2,5	15	90
75	ACGXX/75/X	M75x1,5	3"	-	67,9	66,7	78,5	2,5	3,0	15	100
90	ACGXX/90/X	M90x2,0	3"	-	79,9	76,2	90,4	3,0	3,5	15	115
100	ACGXX/100/X	M100x2,0	-	-	90	86,1	101,5	3,15	4,0	15	123
115	ACGXX/115/X	M115x2,0	-	-	97,9	101,5	110,3	3,15	4,0	15	133
130	ACGXX/130/X	M130x2,0	-	-	114,9	114,2	123,3	3,15	4,0	15	146

# ORTAC $\text{Ex}$ MERAPI SERIES



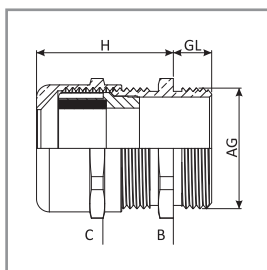
## UAG UNARMOURED CABLE GLANDS



### TECHNICAL DETAILS

Type	: UAG (Un-Ar) Armoured gland
Protection code	: II 2G Exd/e IIC Gb II 1D Ex ta IIIC Da I M2 Exd/e I Mb
Certificate	: IEP 14 ATEX 0217 U
Material	: MS58 Brass with or without nickel plated Stainless steel AISI303 / 316L / Aluminium
Standards	: EN 60079-0:2009, 60079-1:2007, 60079-31:2009
Protection class	: EN60529 IP66 / 68
Temperature	: -30 °C / +120 °C NBR -40 °C / +100 °C NEOPRENE -60 °C / +180 °C SILICONE -30 °C / +100 °C TPE/V
Application area	: ZONE1, ZONE2, ZONE21, ZONE22, Gas Groups IIA, IIB, IIC
Cable type	: Unarmoured

## UNARMOURED CABLE GLANDS UAG SERIES



### PRODUCT RANGE OVERVIEW

Product Size	Product Code	Standard AG	AG	GL min. mm	Clamping Range mm	B mm	C
<b>Exd</b>							
12	UAGXX/12/X	M12x1,5	3/8"	15	3-6,5	14	14
16	UAGXX/16/X	M16x1,5	3/8"	15	4-8	18	17
20	UAGXX/20/X	M20x1,5	1/2"	15	6-12	22	22
25s	UAGXX/25s/X	M25x1,5	3/4"	15	10-14	27	24
25	UAGXX/25/X	M25x1,5	3/4"	15	13-18	30	30
32	UAGXX/32/X	M32x1,5	1"	15	13-18	34	30
40	UAGXX/40/X	M40x1,5	1 1/4"	15	18-25	43	40
50	UAGXX/50/X	M50x1,5	1 1/2"	15	22-32	55	50
63s	UAGXX/63s/X	M63x1,5	2"	15	33-44	68	64
63	UAGXX/63/X	M63x1,5	2"	15	45-55	70	75
75s	UAGXX/75s/X	M75x1,5	2 1/2"	15	45-55	85	75
75	UAGXX/75/X	M75x1,5	2 1/2"	20	50-63	90	90
80	UAGXX/80/X	M80x2,0	3"	20	50-63	90	90
90	UAGXX/90/X	M90x2,0	3"	20	60-70	100	100
<b>Exe</b>							
12	EUAGXX/12/X	M12x1,5	3/8"	6	3-6,5	14	14
16	EUAGXX/16/X	M16x1,5	3/8"	7	4-8	18	17
20	EUAGXX/20/X	M20x1,5	1/2"	8	6-12	22	22
25s	EUAGXX/25s/X	M25x1,5	3/4"	8	10-14	27	24
25	EUAGXX/25/X	M25x1,5	3/4"	8	13-18	30	30
32	EUAGXX/32/X	M32x1,5	1"	9	13-18	34	30
40	EUAGXX/40/X	M40x1,5	1 1/4"	9	18-25	43	40
50	EUAGXX/50/X	M50x1,5	1 1/2"	9	22-32	55	50
63s	EUAGXX/63s/X	M63x1,5	2"	14	33-44	68	64
63	EUAGXX/63/X	M63x1,5	2"	15	45-55	70	75
75s	EUAGXX/75s/X	M75x1,5	2 1/2"	15	45-55	85	75
75	EUAGXX/75/X	M75x1,5	2 1/2"	20	50-63	90	90
80	EUAGXX/80/X	M80x2,0	3"	20	50-63	90	90
90	EUAGXX/90/X	M90x2,0	3"	20	60-70	100	100

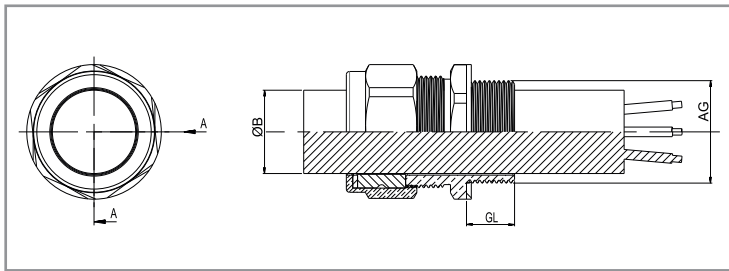


**UG UNARMOURED CABLE GLANDS**

**TECHNICAL DETAILS**

Type	: UG (Un-Ar) Armoured gland
Protection code	: II 2G Exd/e IIC Gb II 1D Ex ta IIIC Da I M2 Exd/e I Mb
Certificate	: IEP 14 ATEX 0217 U
Material	: MS58 Brass with or without nickel plated Stainless steel AISI303 / 316L / Aluminium
Standards	: EN 60079-0:2009, 60079-1:2007, 60079-31:2009
Protection class	: EN60529 IP66 / 68
Temperature	: -30 °C / +120 °C NBR -40 °C / +100 °C NEOPRENE -60 °C / +180 °C SILICONE -30 °C / +100 °C TPE/V
Application area	: ZONE1, ZONE2, ZONE21, ZONE22, Gas Groups IIA, IIB, IIC
Cable type	: Unarmoured

# UNARMOURED CABLE GLANDS UG SERIES


**PRODUCT RANGE OVERVIEW**

Product Size	Product Code	Standard AG	AG NPT	B		GL min. mm	C mm	B
				Min	Max			
16	UGXX/16/X	M16x1,5	1/2"	6,1	11,6	15	20	24
20s	UGXX/20s/X	M20sx1,5	1/2"	6,1	13,2	15	24	24
20	UGXX/20/X	M20x1,5	1/2"	9,5	15,9	15	24	24
25	UGXX/25/X	M25x1,5	3/4"	12,5	20,5	15	30	30
32	UGXX/32/X	M32x1,5	1"	18,2	26,2	15	38	38
40	UGXX/40/X	M40x1,5	1 1/4"	23,7	33,9	15	45	45
50	UGXX/50/X	M50x1,5	1 1/2"	27,9	40,4	15	55	55
63s	UGXX/63s/X	M63sx1,5	2"	40,4	51	15	70	70
63	UGXX/63/X	M63x1,5	2 1/2"	47,2	55,9	15	70	80
75s	UGXX/75s/X	M75sx1,5	2 1/2"	52,8	59	15	80	80
75	UGXX/75/X	M75x1,5	3"	59,1	67,9	15	90	100

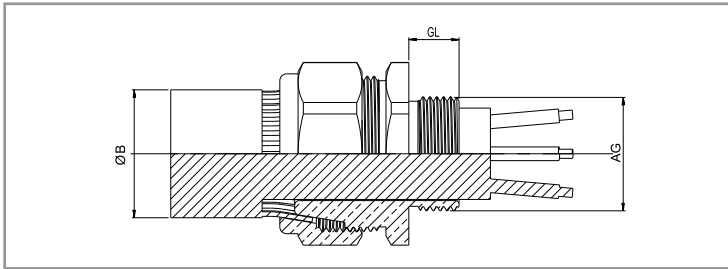
**AG ARMoured CABLE GLANDS**



**TECHNICAL DETAILS**

Certificate : GOST-R  
Standards : EN 60079-0 / EN 60079-1 / EN 60079-31  
Protection class : IP 55  
Materials : MS58 / Stainless steel  
Thread norm : EN 60423 / DIN 40430 / ASME B 1.20.1 / DIN 259

ARMoured  
CABLE GLANDS  
AG SERIES



PRODUCT RANGE OVERVIEW

Product Size	Product Code	Standard AG	AGNPT	B		GL	mm	
				Min	Max		C	B
16	AGXX/16/X	M16x1,5	3/8"	7	11	10	27	22
20s	AGXX/20s/X	M20sx1,5	1/2"	11	16	10	29	24
20	AGXX/20/X	M20x1,5	1/2"	13	21	11	33	30
25	AGXX/25/X	M25x1,5	3/4"	19	27	11	40	36
32	AGXX/32/X	M32x1,5	1"	26	34	14	47	42
40	AGXX/40/X	M40x1,5	1 1/4"	32	40	14	56	50
50s	AGXX/50s/X	M50sx1,5	1 1/2"	38	45	15	61	55
50	AGXX/50/X	M50x1,5	2"	43	52	15	67	60
63s	AGXX/63s/X	M63sx1,5	2"	50	62	15	79	70
63	AGXX/63/X	M63x1,5	2 1/2"	56	68	15	89	80
75s	AGXX/75s/X	M75sx1,5	2 1/2"	62	72	15	95	95
75	AGXX/75/X	M75x1,5	3"	68	78	15	100	100



## PART NUMBERING

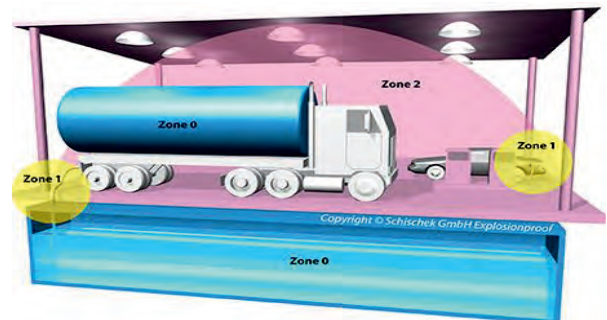
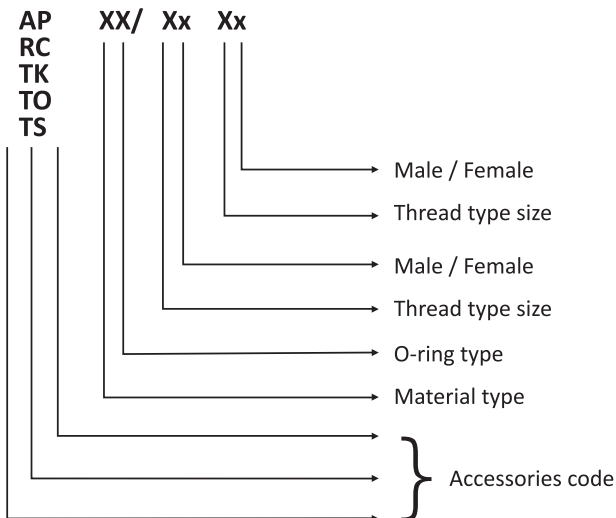
AP-RC TK-TO-TS	Accessories Code
B	Brass
N	Nickel Plating
Sa	AISI303 Stainless Steel
Sb	AISI304 Stainless Steel
Sc	AISI316L Stainless Steel
A	Aluminium
1	NBR O-ring (-30 +100 °C)
2	Silicone O-ring (-60 +180 °C)

m	Male
f	Female
*	Application Size
**	Cable Gland Connection Size

Accessories Descriptions
"AP" Adapter
"RC" Reducer
"TK" TK Series Stopper Plugs
"TO" TO Series Stopper Plugs
"TS" TS Series Stopper Plugs

### APB1/M20fN14m RCB2/N12mPG11f

AP	B	1	*	m/f	**	m/f
RC	N	2				
TK	Sa					
TO	Sb					
TS	Sc					
	A					



### Example Parts Numbering

APB1/M20fN14m	M20 female NPT 1/4" male brass adapter with NBR o-ring
RCB2/N12mPG11f	NPT 1/2" male PG11 female brass reducer with silicone o-ring
TKN1/M16	M16 TK series brass nickel plated stopper plug with NBR o-ring
TOB1/N12	NPT 1/2" TO series brass stopper plug with NBR o-ring
TSB2/M25	M25 TS series brass stopper plug with silicone o-ring

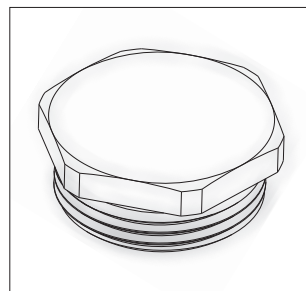
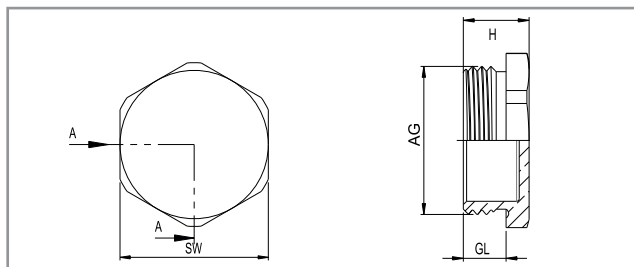
## STOPPER PLUG



### TECHNICAL DETAILS

Type : TK-XX / STOPPER PLUG  
 Protection code : II 2G Exd/e IIC Gb II 1D Ex ta IIIC Da  
 I M2 Ex d/e I Mb  
 Certificate : IEP 15 ATEX 0333U  
 Material : Brass, brass with nickel plated, stainless steel  
 Standards : EN 60079-0 2009 /60079-1 2007/ 60079-31 2009  
 O-ring : NBR / Silicone  
 Temperature range : -60 °C +200 °C  
 Protection class : IP66-IP68 (EN 60529)  
 Application area : ZONE 1 , ZONE 2 , ZONE 21 , ZONE 22  
 Gas groups IIA , IIB , IIC

## STOPPER PLUG



### PRODUCT RANGE OVERVIEW

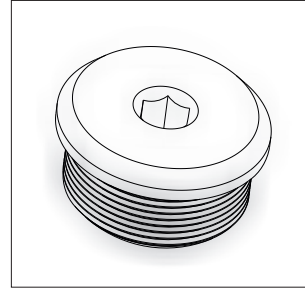
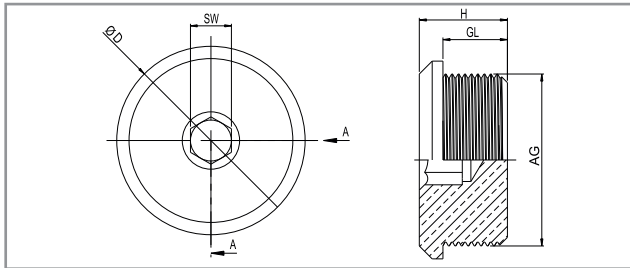
Product Size	Product Code	GL min. mm	H mm	SW mm
M12 x 1,5	TK-XX/M12	15	22	17
M16 x 1,5	TK-XX/M16	15	22	22
M20 x 1,5	TK-XX/M20	15	22	24
M25 x 1,5	TK-XX/M25	15	22	30
M32 x 1,5	TK-XX/M32	15	22	36
M40 x 1,5	TK-XX/M40	15	22	45
M50 x 1,5	TK-XX/M50	15	22	55
M63 x 1,5	TK-XX/M63	15	22	70
M75 x 1,5	TK-XX/M75	15	22	80
M90 x 2	TK-XX/M90	20	27	95
M100 x 2	TK-XX/M100	20	27	110
NPT 1/4"	TK-XX/N14	15	22	15
NPT 3/8"	TK-XX/N38	15	22	20
NPT 1/2"	TK-XX/N12	15	22	24
NPT 3/4"	TK-XX/N34	15	22	27
NPT 1"	TK-XX/N100	15	22	35
NPT 1 1/4"	TK-XX/N114	15	22	45
NPT 1 1/2"	TK-XX/N112	15	22	50
NPT 2"	TK-XX/N200	15	22	65
NPT 2 1/2"	TK-XX/N212	20	27	75
NPT 3"	TK-XX/N300	20	27	90
NPT 4"	TK-XX/N400	20	27	115
G 1/4"	TK-XX/G14	15	22	18
G 3/8"	TK-XX/G38	15	22	22
G 1/2"	TK-XX/G12	15	22	25
G 3/4"	TK-XX/G34	15	22	32
G 1"	TK-XX/G100	15	22	38
G 1 1/4"	TK-XX/G114	15	22	45
G 1 1/2"	TK-XX/G112	15	22	55
G 2"	TK-XX/G200	15	22	65
G 2 1/2"	TK-XX/G212	20	27	85
G 3"	TK-XX/G300	20	27	95
G 4"	TK-XX/G400	20	27	120
PG7	TK-XX/P7	15	22	17
PG9	TK-XX/P9	15	22	20
PG 11	TK-XX/P11	15	22	25
PG 13,5	TK-XX/P13	15	22	25
PG16	TK-XX/P16	15	22	27
PG21	TK-XX/P21	15	22	35
PG29	TK-XX/P29	15	22	42
PG36	TK-XX/P36	15	22	55
PG42	TK-XX/P42	15	22	60
PG48	TK-XX/P48	15	22	65

**STOPPER PLUG**

**TECHNICAL DETAILS**

Type	: TS-XX / STOPPER PLUG
Protection code	: II 2G Exd/e IIC Gb II 1D Ex ta IIIC Da I M2 Ex d/e I Mb
Certificate	: IEP 15 ATEX 0333U
Material	: Brass, brass with nickel plated, stainless steel
Standards	: EN 60079-0 2009 /60079-1 2007/ 60079-31 2009
O-ring	: NBR / Silicone
Temperature range	: -60 °C +200 °C
Protection class	: IP66-IP68 (EN 60529)
Application area	: ZONE 1 , ZONE 2 , ZONE 21 , ZONE 22 Gas groups IIA , IIB , IIC

# STOPPER PLUG


**PRODUCT RANGE OVERVIEW**

Product Size	Product Code	GL min. mm	H mm	D mm	SW mm
M12 x 1,5	TS-XX-M12	15	21	17	6
M16 x 1,5	TS-XX-M16	15	21	22	8
M20 x 1,5	TS-XX-M20	15	21	27	10
M25 x 1,5	TS-XX-M25	15	21	30	10
M32 x 1,5	TS-XX-M32	15	21	36	10
M40 x 1,5	TS-XX-M40	15	21	46	10
M50 x 1,5	TS-XX-M50	15	21	55	10
M63 x 1,5	TS-XX-M63	15	21	68	10
M75 x 1,5	TS-XX-M75	15	21	80	14
M90 x 2	TS-XX-M90	20	26	95	14
M100 x 2	TS-XX-M100	20	26	108	14
NPT 1/4"	TS-XX-N14	15	21	19	6
NPT 3/8"	TS-XX-N38	15	21	23	8
NPT 1/2"	TS-XX-N12	15	21	27	10
NPT 3/4"	TS-XX-N34	15	21	32	10
NPT 1"	TS-XX-N100	15	21	39	10
NPT 1 1/4"	TS-XX-N114	15	21	48	10
NPT 1 1/2"	TS-XX-N112	15	21	55	10
NPT 2"	TS-XX-N200	15	21	65	10
NPT 2 1/2"	TS-XX-N212	20	26	78	14
NPT 3"	TS-XX-N300	20	26	95	14
NPT 4"	TS-XX-N400	20	26	120	14
G 1/4"	TS-XX-G14	15	21	19	6
G 3/8"	TS-XX-G38	15	21	22	8
G 1/2"	TS-XX-G12	15	21	26	10
G 3/4"	TS-XX-G34	15	21	32	10
G 1"	TS-XX-G100	15	21	39	10
G 1 1/4"	TS-XX-G114	15	21	45	10
G 1 1/2"	TS-XX-G112	15	21	53	10
G 2"	TS-XX-G200	15	21	65	10
G 2 1/2"	TS-XX-G212	20	26	80	14
G 3"	TS-XX-G300	20	26	93	14
G 4"	TS-XX-G400	20	26	118	14
PG7	TS-XX-P7	15	21	18	6
PG9	TS-XX-P9	15	21	21	8
PG 11	TS-XX-P11	15	21	24	10
PG 13,5	TS-XX-P13	15	21	26	10
PG16	TS-XX-P16	15	21	28	10
PG21	TS-XX-P21	15	21	34	10
PG29	TS-XX-P29	15	21	42	10
PG36	TS-XX-P36	15	21	52	10
PG42	TS-XX-P42	15	21	59	10
PG48	TS-XX-P48	15	21	65	10

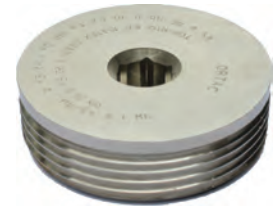
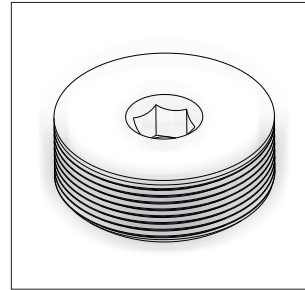
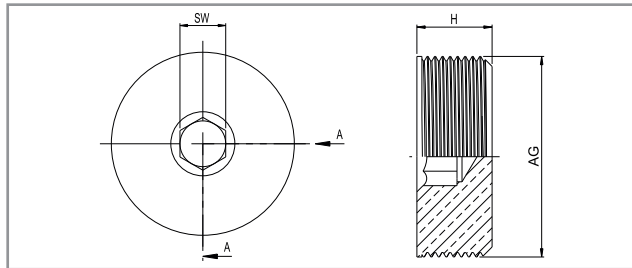
## STOPPER PLUG



### TECHNICAL DETAILS

Type : TO-XX / STOPPER PLUG  
 Protection code : II 2G Exd/e IIC Gb II 1D Ex ta IIIC Da  
 I M2 Ex d/e I Mb  
 Certificate : IEP 15 ATEX 0333U  
 Material : Brass, brass with nickel plated, stainless steel  
 Standards : EN 60079-0 2009 /60079-1 2007/ 60079-31 2009  
 O-ring : NBR / Silicone  
 Temperature range : -60 °C +200 °C  
 Protection class : IP66-IP68 (EN 60529)  
 Application area : ZONE 1 , ZONE 2, ZONE 21 , ZONE 22  
 Gas groups IIA , IIB , IIC

# STOPPER PLUG



### PRODUCT RANGE OVERVIEW

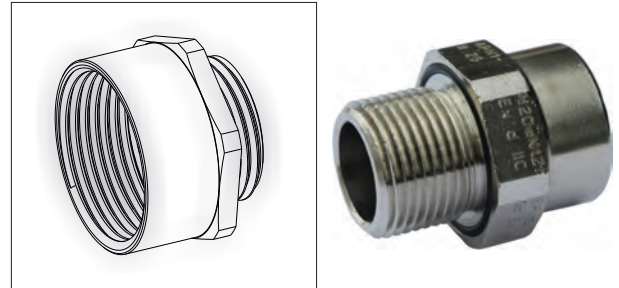
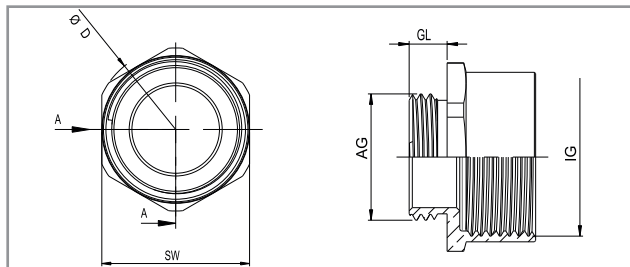
Product Size	Product Code	GL min. mm	SW mm
M12 x 1.5	TO-XX/M12	15	6
M16 x 1.5	TO-XX/M16	15	8
M20 x 1.5	TO-XX/M20	15	10
M25 x 1.5	TO-XX/M25	15	10
M32 x 1.5	TO-XX/M32	15	10
M40 x 1.5	TO-XX/M40	15	10
M50 x 1.5	TO-XX/M50	15	10
M63 x 1.5	TO-XX/M63	15	10
M75 x 1.5	TO-XX/M75	15	14
M90 x 2	TO-XX/M90	20	14
M100 x 2	TO-XX/M100	20	14
NPT 1/4"	TO-XX/N14	15	6
NPT 3/8"	TO-XX/N38	15	8
NPT 1/2"	TO-XX/N12	15	10
NPT 3/4"	TO-XX/N34	15	10
NPT 1"	TO-XX/N100	15	10
NPT 1 1/4"	TO-XX/N114	15	10
NPT 1 1/2"	TO-XX/N112	15	10
NPT 2"	TO-XX/N200	15	10
NPT 2 1/2"	TO-XX/N212	20	14
NPT 3"	TO-XX/N300	20	14
NPT 4"	TO-XX/N400	20	14
G 1/4"	TO-XX/G14	15	6
G 3/8"	TO-XX/G38	15	8
G 1/2"	TO-XX/G12	15	10
G 3/4"	TO-XX/G34	15	10
G 1"	TO-XX/G100	15	10
G 1 1/4"	TO-XX/G114	15	10
G 1 1/2"	TO-XX/G112	15	10
G 2"	TO-XX/G200	15	10
G 2 1/2"	TO-XX/G212	20	14
G 3"	TO-XX/G300	20	14
G 4"	TO-XX/G400	20	14
PG7	TO-XX/P7	15	6
PG9	TO-XX/P9	15	8
PG 11	TO-XX/P11	15	10
PG 13,5	TO-XX/P13	15	10
PG16	TO-XX/P16	15	10
PG21	TO-XX/P21	15	10
PG29	TO-XX/P29	15	10
PG36	TO-XX/P36	15	10
PG42	TO-XX/P42	15	10
PG48	TO-XX/P48	15	10



**ADAPTER**

**TECHNICAL DETAILS**

Type	: AP-XX / ADAPTER
Protection code	: II 2G Exd/e IIC Gb II 1D Ex ta IIIC Da I M2 Ex d/e I Mb
Certificate	: IEP 15 ATEX 0333U
Material	: Brass, brass with nickel plated, stainless steel
Standards	: EN 60079-0 2009 /60079-1 2007/ 60079-31 2009
O-ring	: NBR / Silicone
Temperature range	: -60 °C +200 °C
Protection class	: IP66-IP68 (EN 60529)
Application area	: ZONE 1 , ZONE 2 , ZONE 21 , ZONE 22 Gas groups IIA , IIB , IIC

**ADAPTER**

**PRODUCT RANGE OVERVIEW**

Product Size	Product Code	IG (F)	GL min. mm	H mm	SW mm
M12 x 1,5	APXX/M12m-N14f	NPT 1/4"	15	33,5	18
M12 x 1,5	APXX/M12m-N38f	NPT 3/8"	15	33,5	20
M16 x 1,5	APXX/M16m-N38f	NPT 3/8"	15	33,5	20
M16 x 1,5	APXX/M16m-N12f	NPT 1/2"	15	34	25
M20 x 1,5	APXX/M20m-N12f	NPT 1/2"	15	34	25
M20 x 1,5	APXX/M20m-N34f	NPT 3/4"	15	34	30
M25 x 1,5	APXX/M25m-N34f	NPT 3/4"	15	34	30
M25 x 1,5	APXX/M25m-N100f	NPT 1"	15	34	36
M32 x 1,5	APXX/M32m-N100f	NPT 1"	15	34	36
M32 x 1,5	APXX/M32m-N114f	NPT 1 1/4"	15	37	45
M40 x 1,5	APXX/M40m-N114f	NPT 1 1/4"	18	40	45
M40 x 1,5	APXX/M40m-N112f	NPT 1 1/2"	18	40	55
M50 x 1,5	APXX/M50m-N112f	NPT 1 1/2"	18	40	55
M50 x 1,5	APXX/M50m-N200f	NPT 2"	18	40,5	65
M63 x 1,5	APXX/M63m-N200f	NPT 2"	18	40,5	70
M63 x 1,5	APXX/M63m-N212f	NPT 2 1/2"	18	40,5	80
M75 x 1,5	APXX/M75m-N212f	NPT 2 1/2"	18	40,5	80
M75 x 1,5	APXX/M75m-N300f	NPT 3"	18	43,5	95
M90 x 1,5	APXX/M90m-N300f	NPT 3"	21	47	95
M90 x 1,5	APXX/M90m-N400f	NPT 4"	21	47	120
M110 x 1,5	APXX/M110m-N400f	NPT 4"	21	47	120
NPT 1/4"	APXX/N14m-M12f	M12 x 1,5	15	33	18
NPT 1/4"	APXX/N14m-M16f	M16 x 1,5	15	33,5	22
NPT 3/8"	APXX/N38m-M16f	M16 x 1,5	15	33,5	22
NPT 3/8"	APXX/N38m-M20f	M20 x 1,5	15	34	25
NPT 1/2"	APXX/N12m-M20f	M20 x 1,5	15	34	25
NPT 1/2"	APXX/N12m-M25f	M25 x 1,5	15	34	30
NPT 3/4"	APXX/N34m-M25f	M25 x 1,5	15	34	30
NPT 3/4"	APXX/N34m-M32f	M32 x 1,5	15	34	36
NPT 1"	APXX/N100m-M32f	M32 x 1,5	15	34	36
NPT 1"	APXX/N100m-M40f	M40 x 1,5	15	37	45
NPT 1 1/4"	APXX/N114m-M40f	M40 x 1,5	18	40	45
NPT 1 1/4"	APXX/N114m-M50f	M50 x 1,5	18	40	55
NPT 1 1/2"	APXX/N112m-M50f	M50 x 1,5	18	40	55
NPT 1 1/2"	APXX/N112m-M63f	M63 x 1,5	18	40,5	70
NPT 2"	APXX/N200m-M63f	M63 x 1,5	18	40,5	70
NPT 2"	APXX/N200m-M75f	M75 x 1,5	18	40,5	80
NPT 2 1/2"	APXX/N212m-M75f	M75 x 1,5	18	40,5	80
NPT 2 1/2"	APXX/N212m-M90f	M90 x 1,5	18	44	95
NPT 3"	APXX/N300m-M90f	M90 x 1,5	21	47	95
NPT 3"	APXX/N300m-M110f	M110 x 1,5	21	47	115
NPT 4"	APXX/N400m-M110f	M110 x 1,5	21	47	120

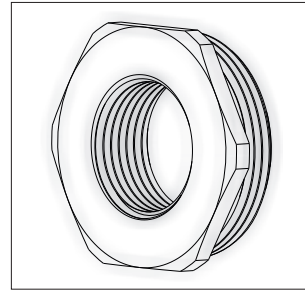
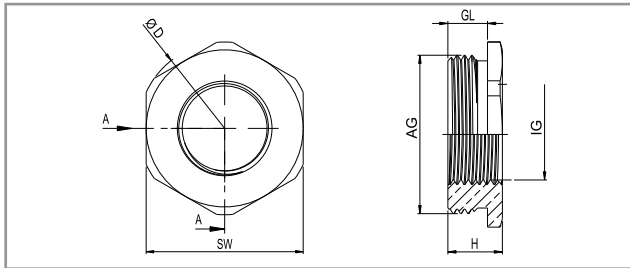
ADAPTER



TECHNICAL DETAILS

Type : AP1-XX / ADAPTER  
 Protection code : II 2G Exd/e IIC Gb II 1D Ex ta IIIC Da  
 I M2 Ex d/e I Mb  
 Certificate : IEP 15 ATEX 0333U  
 Material : Brass, brass with nickel plated, stainless steel  
 Standards : EN 60079-0 2009 /60079-1 2007/ 60079-31 2009  
 O-ring : NBR / Silicone  
 Temperature range : -60 °C +200 °C  
 Protection class : IP66-IP68 (EN 60529)  
 Application area : ZONE 1 , ZONE 2 , ZONE 21 , ZONE 22  
 Gas groups IIA , IIB , IIC

ADAPTER



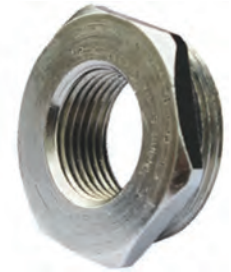
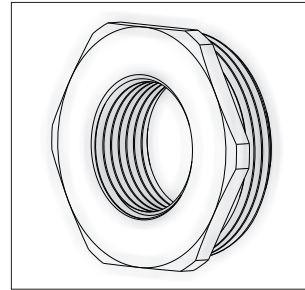
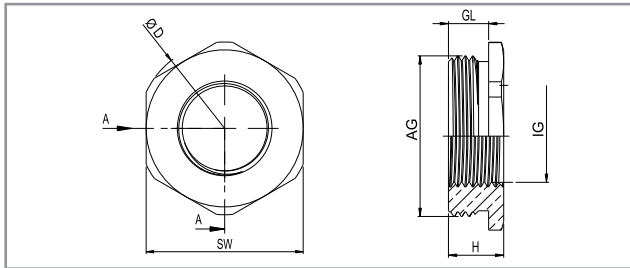
PRODUCT RANGE OVERVIEW

Product Size	Product Code	IG (F)	GL min. mm	H mm	SW mm
M16 x 1,5	AP1XX/M16m-N14f	NPT 1/4"	15	19	22
M20 x 1,5	AP1XX/M20m-N14f	NPT 1/4"	15	19	25
M25 x 1,5	AP1XX/M25m-N12f	NPT 1/2"	15	19	30
M32 x 1,5	AP1XX/M32m-N12f	NPT 1/2"	15	19	36
M32 x 1,5	AP1XX/M32m-N34f	NPT 3/4"	15	19	36
M40 x 1,5	AP1XX/M40m-N34f	NPT 3/4"	18	22	45
M40 x 1,5	AP1XX/M40m-N100f	NPT 1"	18	22	45
M50 x 1,5	AP1XX/M50m-N100f	NPT 1"	18	23	55
M50 x 1,5	AP1XX/M50m-N114f	NPT 1 1/4"	18	23	55
M63 x 1,5	AP1XX/M63m-N114f	NPT 1 1/4"	18	23	70
M63 x 1,5	AP1XX/M63m-N112f	NPT 1 1/2"	18	23	70
M75 x 1,5	AP1XX/M75m-N112f	NPT 1 1/2"	18	24	85
M75 x 1,5	AP1XX/M75m-N200f	NPT 2"	18	24	85
M90 x 1,5	AP1XX/M90m-N200f	NPT 2"	21	29	100
M90 x 1,5	AP1XX/M90m-N212f	NPT 2 1/2"	21	29	100
M110 x 1,5	AP1XX/M110m-N212f	NPT 2 1/2"	21	31	120
M110 x 1,5	AP1XX/M110m-N300f	NPT 3"	21	31	120
NPT 3/8"	AP1XX/N38m-M12f	M12 x 1,5	15	19	22
NPT 1/2"	AP1XX/N12m-M12f	M12 x 1,5	15	19	25
NPT 1/2"	AP1XX/N12m-M16f	M16 x 1,5	15	19	25
NPT 3/4"	AP1XX/N34m-M16f	M16 x 1,5	15	19	30
NPT 3/4"	AP1XX/N34m-M20f	M20 x 1,5	15	19	30
NPT 1"	AP1XX/N100m-M20f	M20 x 1,5	15	19	36
NPT 1"	AP1XX/N100m-M25f	M25 x 1,5	15	19	36
NPT 1 1/4"	AP1XX/Nf114m-M25f	M25 x 1,5	18	18	45
NPT 1 1/4"	AP1XX/N114m-M32f	M32 x 1,5	18	18	45
NPT 1 1/2"	AP1XX/N112m-M32f	M32 x 1,5	18	18	55
NPT 1 1/2"	AP1XX/N112m-M40f	M40 x 1,5	18	18	55
NPT 2"	AP1XX/N200m-M40f	M40 x 1,5	18	18	65
NPT 2"	AP1XX/N200m-M50f	M50 x 1,5	18	18	65
NPT 2 1/2"	AP1XX/N212m-M50	M50 x 1,5	18	18	75
NPT 2 1/2"	AP1XX/N212m-M63f	M63 x 1,5	18	18	75
NPT 3"	AP1XX/N300m-M63f	M63 x 1,5	21	21	95
NPT 3"	AP1XX/N300m-M75f	M75 x 1,5	21	21	95
NPT 4"	AP1XX/N400m-M75f	M75 x 1,5	21	21	120
NPT 4"	AP1XX/N400m-M90f	M90 x 1,5	21	21	120

**REDUCER**

**TECHNICAL DETAILS**

Type	: RCXX / REDUCER
Protection code	: II 2G Exd/e IIC Gb II 1D Ex ta IIIC Da I M2 Ex d/e I Mb
Certificate	: IEP 15 ATEX 0333U
Material	: Brass, brass with nickel plated, stainless steel
Standards	: EN 60079-0 2009 /60079-1 2007/ 60079-31 2009
O-ring	: NBR / Silicone
Temperature range	: -60 °C +200 °C
Protection class	: IP66-IP68 (EN 60529)
Application area	: ZONE 1 , ZONE 2 , ZONE 21 , ZONE 22 Gas groups IIA , IIB , IIC

**REDUCER**

**PRODUCT RANGE OVERVIEW**

Product Size	Product Code	IG (F)	GI mm	H mm	SW mm
M16 x 1,5	RCXX/M16m-M12f	M12 x 1,5	15	19	22
M20 x 1,5	RCXX/M20m-M12f	M12 x 1,5	15	19	25
M20 x 1,5	RCXX/M20m-M16f	M16 x 1,5	15	19	25
M25 x 1,5	RCXX/M25m-M16f	M16 x 1,5	15	19	30
M25 x 1,5	RCXX/M25m-M20f	M20 x 1,5	15	19	30
M32 x 1,5	RCXX/M32m-M20f	M20 x 1,5	15	19	36
M32 x 1,5	RCXX/M32m-M25f	M25 x 1,5	15	19	36
M40 x 1,5	RCXX/M40m-M25f	M25 x 1,5	18	22	45
M40 x 1,5	RCXX/M40m-M32f	M32 x 1,5	18	22	45
M50 x 1,5	RCXX/M50m-M32f	M32 x 1,5	18	23	55
M50 x 1,5	RCXX/M50m-M40f	M40 x 1,5	18	23	55
M63 x 1,5	RCXX/M63m-M40f	M40 x 1,5	18	23	70
M63 x 1,5	RCXX/M63m-M50f	M50 x 1,5	18	23	70
M75 x 1,5	RCXX/M75m-M50f	M50 x 1,5	18	24	85
M75 x 1,5	RCXX/M75m-M63f	M63 x 1,5	18	24	85
M90 x 1,5	RCXX/M90m-M63f	M63 x 1,5	21	29	100
M90 x 1,5	RCXX/M90m-M75f	M75 x 1,5	21	29	100
M110 x 1,5	RCXX/M110m-M75f	M75 x 1,5	21	31	120
M110 x 1,5	RCXX/M110m-M90f	M90 x 1,5	21	31	120
NPT 3/8"	RCXX/N38m-N14f	NPT 1/4"	15	19	22
NPT 1/2"	RCXX/N12m-N14f	NPT 1/4"	15	19	25
NPT 1/2"	RCXX/N12m-N38f	NPT 3/8"	15	19	25
NPT 3/4"	RCXX/N34m-N38f	NPT 3/8"	15	19	30
NPT 3/4"	RCXX/N34m-N12f	NPT 1/2"	15	19	30
NPT 1"	RCXX/N100m-N12f	NPT 1/2"	15	19	36
NPT 1"	RCXX/N100m-N34f	NPT 3/4"	15	19	36
NPT 1 1/4"	RCXX/N114m-N12f	NPT 1/2"	18	22	45
NPT 1 1/4"	RCXX/N114m-N34f	NPT 3/4"	18	22	45
NPT 1 1/4"	RCXX/N114m-N100f	NPT 1"	18	22	45
NPT 1 1/2"	RCXX/N112m-N12f	NPT 1/2"	18	23	55
NPT 1 1/2"	RCXX/N112m-N34f	NPT 3/4"	18	23	55
NPT 1 1/2"	RCXX/N112m-N100f	NPT 1"	18	23	55
NPT 1 1/2"	RCXX/N112m-N114f	NPT 1 1/4"	18	23	55
NPT 2"	RCXX/N200m-N114f	NPT 1 1/4"	18	23	65
NPT 2"	RCXX/N200m-N112f	NPT 1 1/2"	18	23	65
NPT 2 1/2"	RCXX/N212m-N112f	NPT 1 1/2"	18	24	75
NPT 2 1/2"	RCXX/N212m-N200f	NPT 2"	18	24	75
NPT 3"	RCXX/N300m-N200f	NPT 2"	21	29	95
NPT 3"	RCXX/N300m-N212f	NPT 2 1/2"	21	29	95
NPT 4"	RCXX/N400m-N212f	NPT 2 1/2"	21	31	120
NPT 4"	RCXX/N400m-N300f	NPT 3"	21	31	120

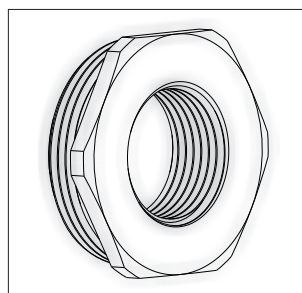
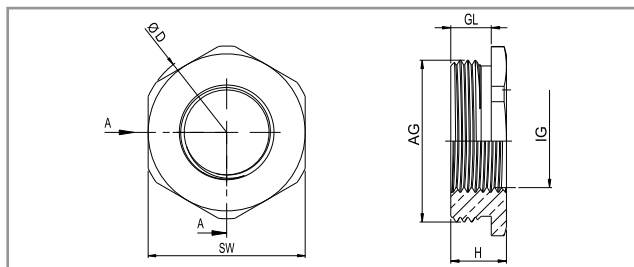
**ENLARGER REDUCER**



**TECHNICAL DETAILS**

Type : RCXX / ENLARGER REDUCER  
 Protection code : II 2G Exd/e IIC Gb II 1D Ex ta IIIC Da  
 I M2 Ex d/e I Mb  
 Certificate : IEP 15 ATEX 0333U  
 Material : Brass, brass with nickel plated, stainless steel  
 Standards : EN 60079-0 2009 /60079-1 2007/ 60079-31 2009  
 O-ring : NBR / Silicone  
 Temperature range : -60 °C +200 °C  
 Protection class : IP66-IP68 (EN 60529)  
 Application area : ZONE 1 , ZONE 2 , ZONE 21 , ZONE 22  
 Gas groups IIA , IIB , IIC

**ENLARGER  
REDUCER**



**PRODUCT RANGE OVERVIEW**

Product Size	Product Code	IG (F)	GI mm	H mm	SW mm
M12 x 1,5	RCXX/M12m-M12f	M12 x 1,5	15	33,5	18
M12 x 1,5	RCXX/M12m-M16f	M16 x 1,5	15	33,5	22
M16 x 1,5	RCXX/M16m-M16f	M16 x 1,5	15	33,5	22
M12 x 1,5	RCXX/M12m-M20f	M20 x 1,5	15	34	25
M16 x 1,5	RCXX/M16m-M20f	M20 x 1,5	15	34	25
M20 x 1,5	RCXX/M20m-M20f	M20 x 1,5	15	34	25
M16 x 1,5	RCXX/M16m-M25f	M25 x 1,5	15	34	30
M20 x 1,5	RCXX/M20m-M25f	M25 x 1,5	15	34	30
M25 x 1,5	RCXX/M25m-M25f	M25 x 1,5	15	34	30
M20 x 1,5	RCXX/M20m-M32f	M32 x 1,5	15	34	36
M25 x 1,5	RCXX/M25m-M32f	M32 x 1,5	15	34	36
M32 x 1,5	RCXX/M32m-M32f	M32 x 1,5	15	34	36
M25 x 1,5	RCXX/M25m-M40f	M40 x 1,5	15	37	45
M32 x 1,5	RCXX/M32m-M40f	M40 x 1,5	15	37	45
M40 x 1,5	RCXX/M40m-M40f	M40 x 1,5	18	40	45
M32 x 1,5	RCXX/M32m-M50f	M50 x 1,5	15	37	55
M40 x 1,5	RCXX/M40m-M50f	M50 x 1,5	18	40	55
M50 x 1,5	RCXX/M50m-M50f	M50 x 1,5	18	40	55
M50 x 1,5	RCXX/M50m-M63f	M63 x 1,5	18	40,5	70
M63 x 1,5	RCXX/M63m-M63f	M63 x 1,5	18	40,5	70
M63 x 1,5	RCXX/M63m-M75f	M75 x 1,5	18	40,5	80
M75 x 1,5	RCXX/M75m-M75f	M75 x 1,5	18	40,5	85
M75 x 1,5	RCXX/M75m-M90f	M90 x 1,5	18	43,5	95
M90 x 1,5	RCXX/M90m-M90f	M90 x 1,5	21	47	95
M90 x 1,5	RCXX/M90m-M110f	M110 x 1,5	21	47	115
M110 x 1,5	RCXX/M110m-M110f	M110 x 1,5	21	47	120
NPT 1/4"	RCXX/N14m-N14f	NPT 1/4"	15	33	18
NPT 1/4"	RCXX/N14m-N38f	NPT 3/8"	15	33,5	20
NPT 3/8"	RCXX/N38m-N38f	NPT 3/8"	15	33,5	20
NPT 3/8"	RCXX/N38m-N12f	NPT 1/2"	15	34	25
NPT 1/2"	RCXX/N12m-N12f	NPT 1/2"	15	34	25
NPT 1/2"	RCXX/N12m-N34f	NPT 3/4"	15	34	30
NPT 3/4"	RCXX/N34m-N34f	NPT 3/4"	15	34	32
NPT 3/4"	RCXX/N34m-N100f	NPT 1"	15	34	36
NPT 1"	RCXX/N100m-N100f	NPT 1"	15	34	36
NPT 1"	RCXX/N100m-N114f	NPT 1 1/4"	15	37	45
NPT 1 1/4"	RCXX/N114m-N114f	NPT 1 1/4"	18	40,5	45
NPT 1 1/4"	RCXX/N114m-N112f	NPT 1 1/2"	18	40,5	55
NPT 1 1/2"	RCXX/N112m-N112f	NPT 1 1/2"	18	40,5	55
NPT 1 1/2"	RCXX/N112m-N200f	NPT 2"	18	40,5	65
NPT 2"	RCXX/N200m-N200f	NPT 2"	18	40,5	65
NPT 2"	RCXX/N200m-N212f	NPT 2 1/2"	18	40,5	80
NPT 2 1/2"	RCXX/N212m-N212f	NPT 2 1/2"	18	40,5	80
NPT 2 1/2"	RCXX/N212m-N300f	NPT 3"	18	43,5	95
NPT 3"	RCXX/N300m-N300f	NPT 3"	21	47	95
NPT 3"	RCXX/N300m-N400f	NPT 4"	21	47	120
NPT 4"	RCXX/N400m-N 400f	NPT 4"	21	47	120

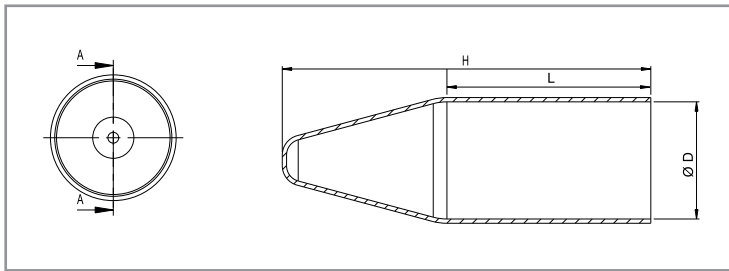
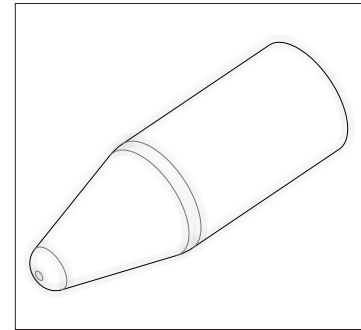
**SHROUDS**



SHROUD

**TECHNICAL DETAILS**

Type : PS / SHROUDS  
 Material : TPV / PVC / LSF  
 Temperature range : -20 °C +80 °C  
 Protection class : IP66-IP68 (EN 60529)



PRODUCT RANGE OVERVIEW

Product Size	Product Code	Ø D mm	H mm	L mm
M16	PS-16	25	100	60
M20	PS-20	32	110	65
M25	PS-25	41	130	70
M32	PS-32	49	145	77
M40	PS-40	60	170	85
M50s	PS-50s	65	155	86
M50	PS-50	75	175	92
M63s	PS-63s	81	180	92
M63	PS-63	86	180	92
M75s	PS-75s	100	220	115
M75	PS-75	110	220	115
M90	PS-90	-	-	-

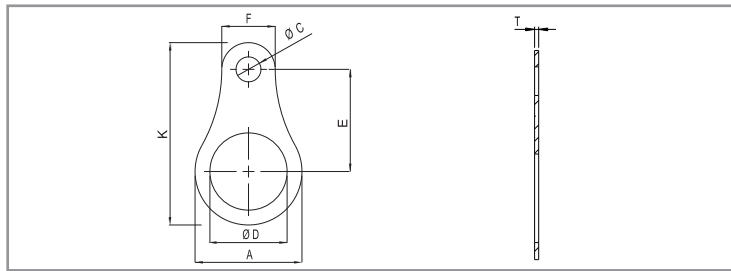
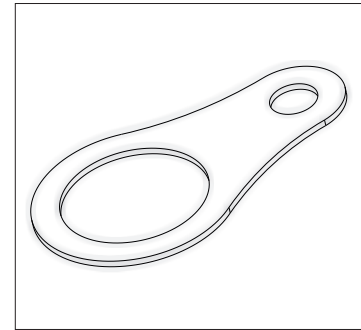
**EARTHING PARTS**



**EARTH TAG**

**TECHNICAL DETAILS**

Type : RTE / EARTH TAG  
 Material : MS 64 with Nickel Plated / Stainless Steel  
 Temperature range : -40 °C +100 °C



**PRODUCT RANGE OVERVIEW**

Product Size	Product Code	A	ØD	ØC	F	K	E	T
M16	RTE-16	25,4	16,5	6,5	12,5	49	30	1
M20	RTE-20	27	20,5	6,5	10,2	51,6	33	1
M25	RTE-25	35	25,5	6,5	13,5	60	35,5	1
M32	RTE-32	45	32,5	10,5	22,5	76,75	43	1
M40	RTE-40	53,5	40,5	10,5	23,6	83,5	45	1
M50	RTE-50	65	50,5	10,5	29,5	105,25	58	1
M63	RTE-63	82	63,5	10,5	29,5	122,75	67	1
M75	RTE-75	96	75,5	6,5	24	-	73	1,5
M90	RTE-90	114	90,5	6,5	37	-	86	1,5
M100	RTE-100	-	-	-	-	-	-	-



**EXPROOF FLEXIBLE CONDUIT GLANDS**



**TECHNICAL DETAILS**

Certificate : IEP 15 ATEX 0355 X  
 Protection code : II 2G Exd/e IIC Gb II 1D Ex ta IIIC Da I M2 Exd/e I Mb  
 Standards : EN 60079-0:2009, 60079-1:2007, 60079-31:2009  
 Protection class : IP67  
 Temperature range: -20 °C +80 °C

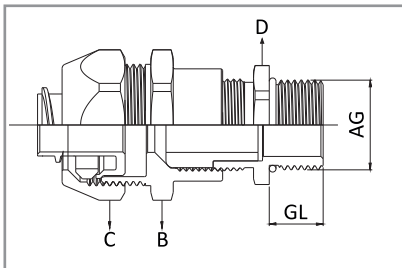
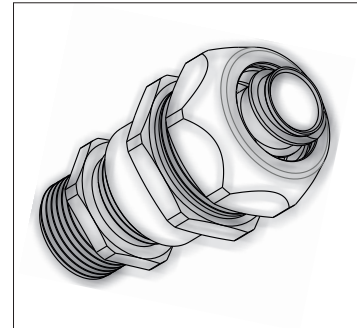
**Material**

Cup nut : Brass with nickel plated  
 Clamping insert : PA6 V0  
 Sealing ring : TPV  
 Ring : PA6 V0  
 Ferrule : Aluminium / brass  
 Gland body : Brass with nickel plated  
 O-ring : NBR / silicone  
 Connection thread : Metric EN (60423)/ASME B 10.20.1 / DIN 259

**Properties**

Easy to assemble  
 Fixed or swivel body version  
 Apply with either LGT or CTS, CTPS conduits

**FLEXIBLE SPIRAL  
 CONDUIT GLANDS  
 LIQUID TIGHT  
 WITH CABLE HOLDER**



PG FIXED/SWIVEL BODY

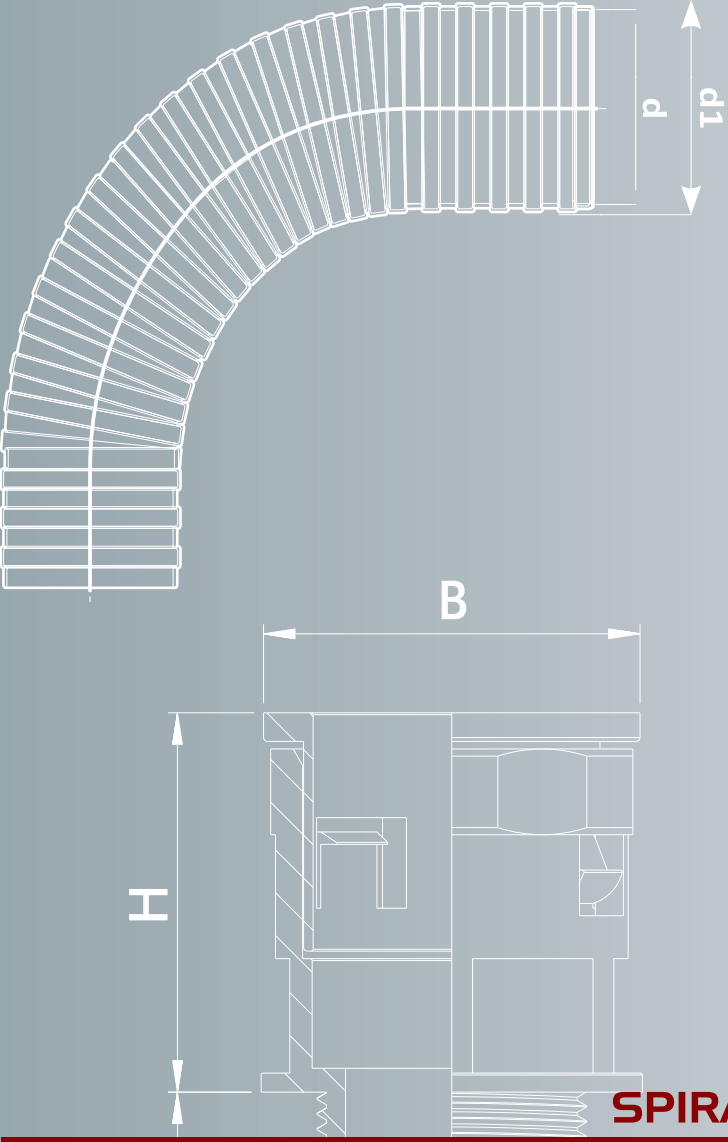
PRODUCT RANGE OVERVIEW

Code	AG Thread	Spiral Measure	GL min. mm	B mm.	C mm.	D mm.	Cables mm.
MLSRP 00	PG 7	10-1/4"	15	20	22	14	3-6,5
MLSRP 1A	PG 9	10-1/4"	15	20	22	17	4-8
MLSRP 01	PG 11	13-3/8"	15	24	26	20	5-10
MLSRP 2A	PG 13,5	16-1/2"	15	27	29	22	6-12
MLSRP 02	PG 16	16-1/2"	15	27	29	24	10-14
MLSRP 03	PG 21	21-3/4"	15	33	35	30	13-18
MLSRP 04	PG 29	26-1"	15	43	45	40	18-25
MLSRP 05	PG 36	35-1 1/4"	15	52	54	50	22-32
MLSRP 06	PG 42	40-1 1/2"	15	60	63	57	30-38
MLSRP 07	PG 48	51-2	15	74	77	64	34-44

METRIC FIXED/SWIVEL BODY

Code	AG Thread	Spiral Measure	GL min. mm	B mm.	C mm.	D mm.	Cables mm.
MLSRM 00	M 12 x 1,5	10-1/4"	15	20	22	14	3-6,5
MLSRM 1A	M 16 x 1,5	10-1/4"	15	20	22	18	4-8
MLSRM 01	M 16 x 1,5	13-3/8"	15	24	26	18	4-8
MLSRM 02	M 20 x 1,5	16-1/2"	15	27	29	22	6-12
MLSRM 03	M 25 x 1,5	21-3/4"	15	33	35	27	10-14
MLSRM 04	M 32 x 1,5	26-1"	15	43	45	34	13-18
MLSRM 05	M 40 x 1,5	35-1 1/4"	15	52	54	43	18-25
MLSRM 06	M 50 x 1,5	40-1 1/2"	15	60	63	55	22-32
MLSRM 07	M 63 x 1,5	51-2	15	74	77	68	34-44

IP 67



## **SPIRAL CONDUITS & FITTINGS SYSTEMS**





**TACFLEX POLYAMIDE SPIRAL CONDUITS**

**TECHNICAL DETAILS**

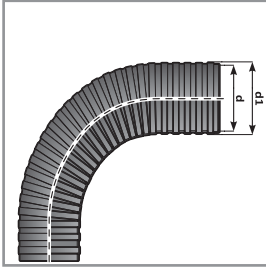
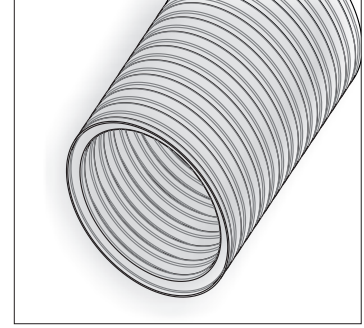
Material	: Polyamide PA6 V2
Color	: Grey (RAL7031) black (RAL9005) * Orange or any other color available on request
Temperature range	: -40 °C + 120 °C
Flammability class	: UL94 V2

**Properties**

High fatigue life  
High impact strength  
Halogen free  
Self extinguishing  
High abrasion resistance  
High UV resistance (black)  
Full-shrink packing

# PLASTIC SPIRAL CONDUITS

PA 6


**POLYAMİD SİRAL BORU**

Hammaddesi	: Polyamid PA6 V2
Renk	: RAL 7031 (Gri) RAL 9005 (Siyah)
Çalışma sıcaklığı	: -40 °C + 120 °C
Kullanım alanları	: Mekanik ve ekipman cihaz bağlantılarında makine, matbaa, otomotiv, lokomotif, tramvay, gemi otomatik makinaları, endüstriyel tesis montajlarında, aydınlatma ve elektrik pano montajlarında kullanılmaktadır.


**PA6 SPIRAL CONDUITS**

Nominal Diameter	Gray Code	Black Code	d	d1	Roll Length mt.
	■ RAL 7031	■ RAL 9005	Ø mm.	Ø mm.	
7	OGPA 7	OSPA 7	6,5	10	100
8,5	OGPA 8,5	OSPA 8,5	8,5	12	100
9	OGPA 9	OSPA 9	10	13	100
11	OGPA 11	OSPA 11	12	15,8	50
13,5	OGPA 13,5	OSPA 13,5	14,2	18,4	50
16	OGPA 16	OSPA 16	16,5	21,2	50
21	OGPA 21	OSPA 21	23,5	28,4	50
29	OGPA 29	OSPA 29	29	34,5	25
36	OGPA 36	OSPA 36	36	42,5	25
48	OGPA 48	OSPA 48	48	54,5	25

PRODUCT RANGE OVERVIEW

Halogen free

**TACFLEX POLYAMIDE -V0- SPIRAL CONDUITS**



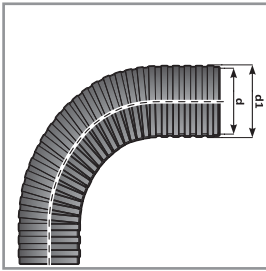
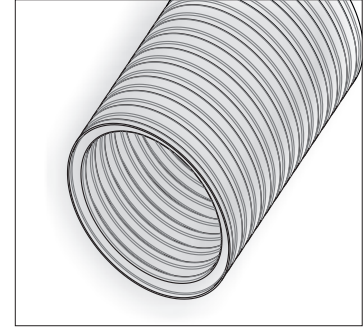
**TECHNICAL DETAILS**

Material : Polyamide PA6 V0  
 Color : Grey (RAL7031) Black (Ral9005)  
 \* Orange or any other color available on request  
 Temperature range : -40 °C +120 °C  
 Flammability class : UL94 V0

**Properties**

High fatigue life  
 High impact strength  
 Halogen free  
 Self extinguishing  
 High abrasion resistance  
 High UV resistance (black)  
 Full-shrink packing

PLASTIC  
 SPIRAL CONDUITS  
 PA 6 V0



**POLYAMİD V0 SİRİAL BORU**

Hammaddesi : Polyamid 6 V0  
 Renk : RAL 7031 (Gri)  
 RAL 9005 (Siyah)  
 Çalışma sıcaklığı : -40 °C + 120 °C  
 Kullanım alanları : Mekanik ve ekipman cihaz bağlantılarında makine, matbaa, otomotiv, lokomotif, tramvay, gemi otomatik makinaları, endüstriyel tesis montajlarında, aydınlatma ve elektrik pano montajlarında kullanılmaktadır.



PA6 V0 SPIRAL CONDUITS

PRODUCT RANGE OVERVIEW

Nominal Diameter	Gray Code ■ RAL 7031	Black Code ■ RAL 9005	d Ø mm.	d1 Ø mm.	Roll Length mt.
7	OGPAV0 7	OSPAV0 7	6,5	10	100
8,5	OGPAV0 8,5	OSPAV0 8,5	8,5	12	100
9	OGPAV0 9	OSPAV0 9	10	13	100
11	OGPAV0 11	OSPAV0 11	12	15,8	50
13,5	OGPAV0 13,5	OSPAV0 13,5	14,2	18,4	50
16	OGPAV0 16	OSPAV0 16	16,5	21,2	50
21	OGPAV0 21	OSPAV0 21	23,5	28,4	50
29	OGPAV0 29	OSPAV0 29	29	34,5	25
36	OGPAV0 36	OSPAV0 36	36	42,5	25
48	OGPAV0 48	OSPAV0 48	48	54,5	25

Halogen free

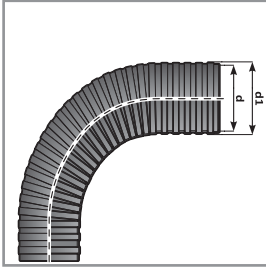
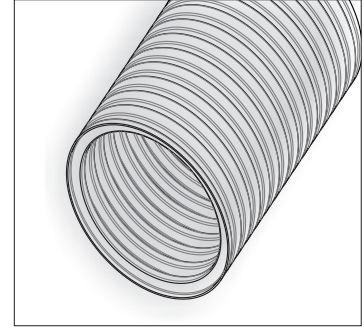
**TACFLEX POLYAMIDE SPIRAL CONDUITS - SPLIT TYPE**
**TECHNICAL DETAILS**

Material	: Polyamide PA6
Color	: Grey (RAL7031) Black (Ral9005) * Orange or any other color available on request
Temperature range	: -40 °C + 120 °C
Flammability class	: UL94 V2 & V0

**Properties**

Slit version  
High fatigue life  
High impact strength  
Halogen free  
Self extinguishing  
High abrasion resistance  
High UV resistance (black)  
Full-shrink packing

## PLASTIC SPIRAL CONDUITS PA 6/SPLIT TYPE


**PA6 YARIKLI TİP SPİRAL BORU**

Hammaddesi	: Polyamid 6
Renk	: RAL 7031 (Gri) RAL 9005 (Siyah)
Çalışma sıcaklığı	: -40 °C + 120 °C
Kullanım alanları	: Mekanik ve ekipman cihaz bağlantılarında makine, matbaa, otomotiv, lokomotif, tramvay, gemi otomatik makinaları, endüstriyel tesis montajlarında, aydınlatma ve elektrik pano montajlarında kullanılmaktadır.


**SPLIT TYPE PA6 SPIRAL CONDUITS**

Nominal Diameter	Gray Code	Black Code	d	d1	Roll Length mt.
	■ RAL 7031	■ RAL 9005	Ø mm.	Ø mm.	
7	OGPAY 7	OSPAY 7	6,5	10	100
8,5	OGPAY 8,5	OSPAY 8,5	8,5	12	100
9	OGPAY 9	OSPAY 9	10	13	100
11	OGPAY 11	OSPAY 11	12	15,8	50
13,5	OGPAY 13,5	OSPAY 13,5	14,2	18,4	50
16	OGPAY 16	OSPAY 16	16,5	21,2	50
21	OGPAY 21	OSPAY 21	23,5	28,4	50
22	OGPAY 22	OSPAY 22	22	27,5	50
29	OGPAY 29	OSPAY 29	29	34,5	25
36	OGPAY 36	OSPAY 36	36	42,5	25
48	OGPAY 48	OSPAY 48	48	54,5	25

PRODUCT RANGE OVERVIEW

Halogen free

TACFLEX POLYPROPYLENE SPIRAL CONDUITS



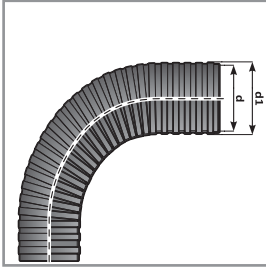
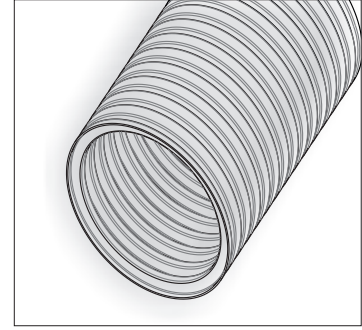
TECHNICAL DETAILS

Material : Polypropylene  
Color : Grey (RAL7031) Black (Ral9005)  
\* Orange or any other color available on request  
Temperature range : -20 °C +90 °C

Properties

Self extinguishing  
Full-shrink packing  
Acid resistance

PLASTIC  
SPIRAL CONDUITS  
POLYPROPYLENE



PP SPİRAL BORU

Hammaddesi : Polipropilen  
Renk : RAL 7031 (Gri)  
RAL 9005 (Siyah)  
Çalışma sıcaklığı : -20 °C + 90 °C  
Kullanım alanları : Mekanik ve ekipman cihaz bağlantılarında makine, matbaa, otomotiv, lokomotif, tramvay, gemi otomatik makinaları, endüstriyel tesis montajlarında, aydınlatma ve elektrik pano montajlarında kullanılmaktadır.



PP SPIRAL CONDUITS

PRODUCT RANGE OVERVIEW

Nominal Diameter	Gray Code ■ RAL 7031	Black Code ■ RAL 9005	d Ø mm.	d1 Ø mm.	Roll Length mt.
7	OGPP 7	OSPP 7	6,5	10	100
8,5	OGPP 8,5	OSPP 8,5	8,5	12	100
9	OGPP 9	OSPP 9	10	13	100
11	OGPP 11	OSPP 11	12	15,8	50
13,5	OGPP 13,5	OSPP 13,5	14,2	18,4	50
16	OGPP 16	OSPP 16	16,5	21,2	50
21	OGPP 21	OSPP 21	23,5	28,4	50
29	OGPP 29	OSPP 29	29	34,5	25
36	OGPP 36	OSPP 36	36	42,5	25
48	OGPP 48	OSPP 48	48	54,5	25

Halogen free


**TACFLEX PP SPIRAL - SPLIT TYPE**

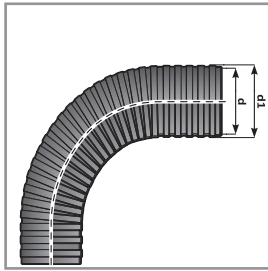
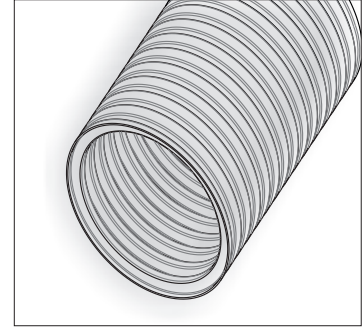
**TECHNICAL DETAILS**

Material	: Polypropylene
Color	: Grey (RAL7031) Black (Ral9005) * Orange or any other color available on request
Temperature range	: -20 °C +90 °C

**Properties**

Slit version  
Self extinguishing  
Full-shrink packing  
Acid resistance

## PLASTIC SPIRAL CONDUITS PP/SPLIT TYPE


**PP YARIKLI TİP SİRİL BORU**

Hammaddesi	: Polipropilen
Renk	: RAL 7031 (Gri) RAL 9005 (Siyah)
Çalışma sıcaklığı	: -20 °C + 90 °C
Kullanım alanları	: Mekanik ve ekipman cihaz bağlantılarında makine, matbaa, otomotiv, lokomotif, tramvay, gemi otomatik makinaları, endüstriyel tesis montajlarında, aydınlatma ve elektrik pano montajlarında kullanılmaktadır.


**SPLIT TYPE PP SPIRAL CONDUITS**

PRODUCT RANGE OVERVIEW

Nominal Diameter	Gray Code		Black Code		Roll Length mt.
	■ RAL 7031	■ RAL 9005	■ RAL 7031	■ RAL 9005	
7	OGPPY 7	OSPPY 7	6,5	10	100
8,5	OGPPY 8,5	OSPPY 8,5	8,5	12	100
9	OGPPY 9	OSPPY 9	10	13	100
11	OGPPY 11	OSPPY 11	12	15,8	50
13,5	OGPPY 13,5	OSPPY 13,5	14,2	18,4	50
16	OGPPY 16	OSPPY 16	16,5	21,2	50
21	OGPPY 21	OSPPY 21	23,5	28,4	50
22	OGPPY 22	OSPPY 22	22	27,5	50
29	OGPPY 29	OSPPY 29	29	34,5	25
36	OGPPY 36	OSPPY 36	36	42,5	25
48	OGPPY 48	OSPPY 48	48	54,5	25

Halogen free

TACFLEX PVC SPIRAL CONDUITS



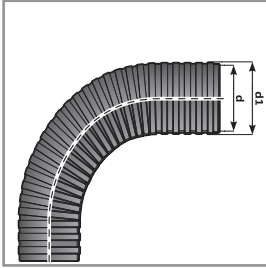
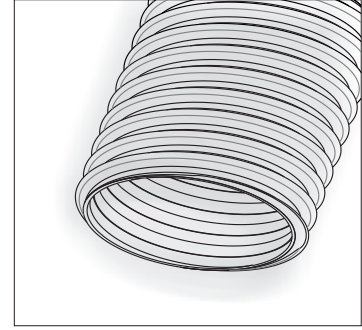
TECHNICAL DETAILS

Material : PVC  
 Color : Grey (RAL7031) / Black (RAL9005)  
 Temperature range : -5 °C +60 °C  
 Standards : EN50086-1 (CEI 23-39)  
 EN50086-2-3 (CEI 23-56)  
 EN613086-1-2-3  
 Compression resistance : 320N

Properties

Self extinguishing  
 30 mt. Roll length

PLASTIC  
 SPIRAL CONDUITS  
 PVC



PVC SPİRAL BORU

Hammaddesi : Sert PVC  
 Renk : RAL 7035 (Gri)  
 İzolasyona dayanıklılık : >100 MΩ  
 Basınca dayanıklılık : 350 N  
 Sürekli ısıya direnci : -10 °C + 65 °C  
 Referans standartları : EN 50086-1 (CEI 23 - 39)  
 EN 50086 - 2 - 3 (CEI 23 - 56)  
 IEC EN 61386 - 1 - 2 - 3

PVC SPIRAL CONDUITS

PRODUCT RANGE OVERVIEW

Gray Code ■ RAL 7035	d Ø mm.	d1 Ø mm.	Roll Length mt.
GGX 8	8	12	30
GGX 10	10	14,5	30
GGX 12	12	16,3	30
GGX 14	14	18,6	30
GGX 16	16	20,5	30
GGX 20	20	24,7	30
GGX 22	22	27	30
GGX 25	25	30,3	30
GGX 28	28	33,2	30
GGX 30	30	36	30
GGX 32	32	37,5	30
GGX 35	35	40,5	30
GGX 38	38	44,1	30
GGX 40	40	46,2	30
GGX 45	45	51,8	30
GGX 50	50	57	30

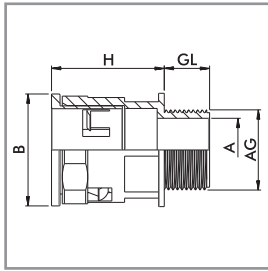
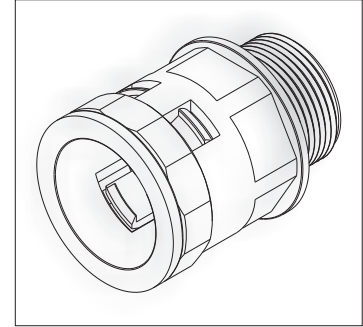

**TACFLEX POLYAMIDE CONDUIT GLANDS**
**TECHNICAL DETAILS**

Material	: Polyamide PA6 V2
Connection thread	: Metric (EN 60423)
Color	: Grey (RAL7031) Black (Ral9005)
Temperature range	: -30 °C +80 °C

**Properties**


UV resistance (black)  
 Easy to assemble  
 Halogen free  
 Apply with either PA or PP conduits

## POLYAMIDE CONDUIT GLANDS METRIC THREAD


**GEÇMELİ TİP SİRİL BORU RAKORU**

Hammaddesi	: Polyamid
Renk	: RAL 7031 (Gri) RAL 9005 (Siyah)
Bağlantı Dişi M	: EN 60423
Çalışma sıcaklığı	: -30 °C + 80 °C


**METRIC CONDUIT GLANDS**

AG mm.	Gray Code ■ RAL 7031	Black Code ■ RAL 9005	Spiral Diameter mm.	H mm.	GL mm.	A mm.	B mm.	 mm
M 12 x 1,5	ODG10-M12	ODB10-M12	6,5 x 10	26	11	6,9	18,7	15
M 12 x 1,5	ODG12-M12	ODB12-M12	8,5 x 12	26	11	8,2	20,7	17
M 16 x 1,5	ODG13-M16	ODB13-M16	10 x 13	26	11	10,8	21,7	18
M 16 x 1,5	ODG15-M16	ODB15-M16	12 x 15,8	26,5	11	10,9	26	20
M 20 x 1,5	ODG18-M20	ODB18-M20	14,2 x 18,4	31	11	14,7	28	23
M 20 x 1,5	ODG21-M20	ODB21-M20	16,5 x 21,2	33	13	15,2	32	27
M 25 x 1,5	ODG28-M25	ODB28-M25	23 x 28,4	39	16	18,7	39,5	34
M 32 x 1,5	ODG34-M32	ODB34-M32	29 x 34,5	43	16	25,7	46,5	40
M 40 x 1,5	ODG42-M40	ODB42-M40	36 x 42,5	45,5	16	32,7	55,5	50
M 63 x 1,5	ODG54-M63	ODB54-M63	48 x 54,5	47,5	16	51,4	67,5	62

**SPECIAL SIZE METRIC**

M 12 x 1,5	ODG13-M12	ODB13-M12	10 x 13	26	11	8	21,7	18
M 20 x 1,5	ODG13-M20	ODB13-M20	10 x 13	26	11	10,5	21,7	18
M 20 x 1,5	ODG15-M20	ODB15-M20	12 x 15,8	26,5	11	13	26	20
M 16 x 1,5	ODG18-M16	ODB18-M16	14,2 x 18,4	31	11	10,3	28	23
M 25 x 1,5	ODG21-M25	ODB21-M25	16,5 x 21,2	33	13	18,6	32	27
M 32 x 1,5	ODG28-M32	ODB28-M32	23 x 28,4	39	16	26,8	39,5	34
M 40 x 1,5	ODG34-M40	ODB34-M40	29 x 34,5	43	16	32,6	46,5	40
M 50 x 1,5	ODG42-M50	ODB42-M50	36 x 42,5	45,5	16	40,2	55,5	50
M 50 x 1,5	ODG54-M50	ODB54-M50	48 x 54,5	47,5	16	43,1	67,5	62

**PRODUCT RANGE OVERVIEW**

Halogen free

TACFLEX POLYAMIDE CONDUIT GLANDS

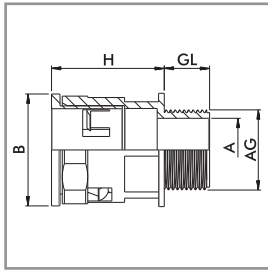
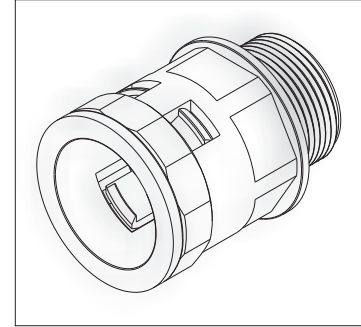
TECHNICAL DETAILS

Material : Polyamide PA6 V2  
 Connection thread : PG (DIN 40430)  
 Color : Grey (RAL7031) Black (Ral9005)  
 Temperature range : -30 °C +80 °C

Properties

UV resistance (black)  
 Easy to assemble  
 Halogen free  
 Apply with either PA or PP conduits

POLYAMIDE  
 CONDUIT GLANDS  
 PG THREAD



GEÇMELİ TİP SİRAL BORU RAKORU

Hammaddesi : Polyamid  
 Renk : RAL 7031 (Gri)  
 RAL 9005 (Siyah)  
 Bağlantı Dişi PG : DIN 40430  
 Çalışma sıcaklığı : -30 °C + 80 °C



PG CONDUIT GLANDS

PRODUCT RANGE OVERVIEW

AG mm.	Gray Code ■ RAL 7031	Black Code ■ RAL 9005	Spiral Diameter mm.	H mm.	GL mm.	A mm.	B mm.	mm
PG 7	ODG10-PG7	ODB10-PG7	6,5 x 10	26	11	6,9	18,7	15
PG 7	ODG12-PG7	ODB12-PG7	8,5 x 12	26	11	8,2	20,7	17
PG 9	ODG13-PG9	ODB13-PG9	10 x 13	26	11	10,3	21,7	18
PG 11	ODG15-PG11	ODB15-PG11	12 x 15,8	26,5	11	13,3	26	20
PG 13,5	ODG18-PG13,5	ODB18-PG13,5	14,2 x 18,4	31	11	15,3	28	23
PG 16	ODG21-PG16	ODB21-PG16	16,5 x 21,2	33	13	16,6	32	27
PG 21	ODG28-PG21	ODB28-PG21	23 x 28,4	39	16	22,3	39,5	34
PG 29	ODG34-PG29	ODB34-PG29	29 x 34,5	43	16	31,7	46,5	40
PG 36	ODG42-PG36	ODB42-PG36	36 x 42,5	45,5	16	40,5	55,5	50
PG 48	ODG54-PG48	ODB54-PG48	48 x 54,5	47,5	16	51,7	67,5	62
SPECIAL SIZE PG								
PG 7	ODG13-PG7	ODB13-PG7	10 x 13	26	11	8	21,7	18
PG 11	ODG13-PG11	ODB13-PG11	10 x 13	26	11	10,6	21,7	18
PG 13,5	ODG13-PG13,5	ODB13-PG13,5	10 x 13	26	11	10,6	21,7	18
PG 9	ODG15-PG9	ODB15-PG9	12 x 15,8	26,5	11	11,8	26	20
PG 13,5	ODG15-PG13,5	ODB15-PG13,5	12 x 15,8	26,5	11	13	26	20
PG 9	ODG18-PG9	ODB18-PG9	14,2 x 18,4	31	11	11,8	28	23
PG 11	ODG18-PG11	ODB18-PG11	14,2 x 18,4	31	11	13,8	28	23
PG 13,5	ODG21-PG13,5	ODB21-PG13,5	16,5 x 21,2	33	13	15,9	32	27

Halogen free



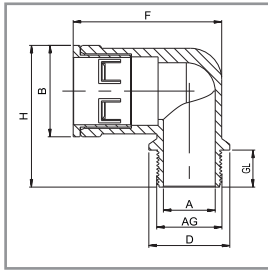
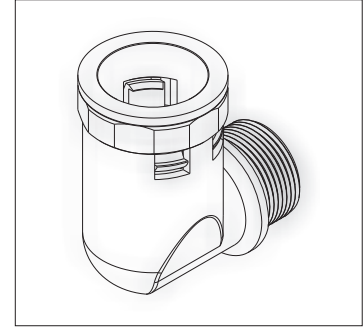

**TACFLEX POLYAMIDE CONDUIT GLANDS - 90° ELBOW**
**TECHNICAL DETAILS**

Material	: Polyamide PA6 V2
Connection thread	: Metric (EN 60423)/PG (DIN 40430)
Color	: Grey (RAL7031) Black (Ral9005)
Temperature range	: -30 °C +80 °C

**Properties**

UV resistance (black)  
 Easy to assemble  
 Halogen free  
 Apply with either PA or PP conduits

## POLYAMIDE CONDUIT GLANDS 90° ELBOW TYPE


**90° DİRSEK SİRAL BORU RAKORU**

Hammaddesi	: Polyamid
Renk	: RAL 7031 (Gri) RAL 9005 (Siyah)
Bağlantı Dişi M	: EN 60423
Bağlantı Dişi PG	: DIN 40430
Çalışma sıcaklığı	: -30 °C + 80 °C

**METRIC/PG CONDUIT GLANDS**
**PRODUCT RANGE OVERVIEW**

AG mm.	Gray Code ■ RAL 7031	Black Code ■ RAL 9005	Spiral Diameter mm.	H mm.	GL mm.	A mm.	B mm.	D mm.	F mm.
M 12 x 1,5	ODDG10-M12	ODDB10-M12	6,5 x 10	36,3	11	8,2	18,7	17	35,7
M 12 x 1,5	ODDG12-M12	ODDB12-M12	8,5 x 12	37,3	11	8,2	20,7	17	35,7
M 16 x 1,5	ODDG13-M16	ODDB13-M16	10 x 13	37,3	11	10,8	21,7	20	38,5
M 16 x 1,5	ODDG15-M16	ODDB15-M16	12 x 15,8	41	11	10,9	26	23	43,8
M 20 x 1,5	ODDG18-M20	ODDB18-M20	14,2 x 18,4	44	11	14,7	28	26	46
M 20 x 1,5	ODDG21-M20	ODDB21-M20	16,5 x 21,2	51,5	13	15,2	32	29	51
M 25 x 1,5	ODDG28-M25	ODDB28-M25	23 x 28,4	61,2	16	18,7	39,5	35	64,3
M 32 x 1,5	ODDG34-M32	ODDB34-M32	29 x 34,5	69,2	16	25,6	46,5	43	70,9
M 40 x 1,5	ODDG42-M40	ODDB42-M40	36 x 42,5	78,2	16	32,7	55,5	54	88,6
M 63 x 1,5	ODDG54-M63	ODDB54-M63	48 x 54,5	91,2	16	55,2	67,5	69	95
PG 7	ODDG10-PG7	ODDB10-PG7	6,5 x 10	36,3	11	8,2	18,7	17	35,7
PG 7	ODDG12-PG7	ODDB12-PG7	8,5 x 12	37,3	11	8,2	20,7	17	35,7
PG 9	ODDG13-PG9	ODDB13-PG9	10 x 13	37,3	11	10,3	21,7	20	38,5
PG 11	ODDG15-PG11	ODDB15-PG11	12 x 15,8	41	11	13,3	26	23	43,8
PG 13,5	ODDG18-PG13,5	ODDB18-PG13,5	14,2 x 18,4	44	11	15,3	28	26	46
PG 16	ODDG21-PG16	ODDB21-PG16	16,5 x 21,2	51,5	13	16,6	32	29	51
PG 21	ODDG28-PG21	ODDB28-PG21	23 x 28,4	61,2	16	22,4	39,5	35	64,3
PG 29	ODDG34-PG29	ODDB34-PG29	29 x 34,5	69,2	16	31,7	46,5	43	70,9
PG 36	ODDG42-PG36	ODDB42-PG36	36 x 42,5	78,2	16	40,5	55,5	54	88,6
PG 48	ODDG54-PG48	ODDB54-PG48	48 x 54,5	91,2	16	51,7	67,5	69	95

Halogen free

TACFLEX PA6 CONDUIT GLANDS WITH CABLE HOLDER

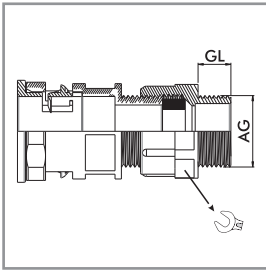
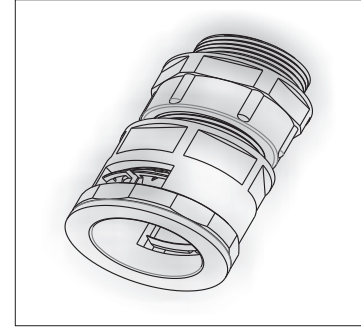
TECHNICAL DETAILS

Material	: Polyamide PA6 V2
Connection thread	: Metric (EN 60423)/ PG (DIN 40430)
Color	: Grey (RAL7031) Black (Ral9005)
Temperature range	: -30 °C +80 °C
Protection class	: IP54

Properties

- UV resistance (black)
- Easy to assemble
- Halogen free
- Apply with either PA or PP conduits

POLYAMIDE  
CONDUIT GLANDS  
WITH CABLE HOLDER



KABLO TUTUCULU GEÇMELİ TİP  
SİRAL BORU RAKORU

Hammaddesi	: Polyamid
Renk	: RAL 7031 (Gri) RAL 9005 (Siyah)
Bağlantı Dişi M	: EN 60423
Bağlantı Dişi PG	: DIN 40430
Çalışma sıcaklığı	: -30 °C + 80 °C

PG/METRIC CONDUIT GLANDS

PRODUCT RANGE OVERVIEW

AG Thread	Gray Code RAL 7031	Black Code RAL 9005	Spiral Diameter mm.	GL mm.	mm	mm
M12 x 1,5	ODGR10-M12	OBGR10-M12	6,5 x 10	8	15	3,5 - 6
M12 x 1,5	ODGR12-M12	OBGR12-M12	8,5 x 12	8	15	3,5 - 6
M16K x 1,5	ODGR13-M16K	OBGR13-M16K	10 x 13	8	19	4,5 - 7
M16K x 1,5	ODGR15-M16K	OBGR15-M16K	12 x 15,8	8	19	4,5 - 7
M16K x 1,5	ODGR18-M16K	OBGR18-M16K	14, 2 x 18,4	8	19	4,5 - 7
M16 x 1,5	ODGR13-M16	OBGR13-M16	10 x 13	8	22	6 - 9
M16 x 1,5	ODGR15-M16	OBGR15-M16	12 x 15,8	8	22	6 - 9
M16 x 1,5	ODGR18-M16	OBGR18-M16	14, 2 x 18,4	8	22	6 - 9
M20K x 1,5	ODGR13-M20K	OBGR13-M20K	10 x 13	9	24	9 - 12
M20K x 1,5	ODGR15-M20K	OBGR15-M20K	12 x 15,8	9	24	9 - 12
M20K x 1,5	ODGR18-M20K	OBGR18-M20K	14, 2 x 18,4	9	24	9 - 12
M20K x 1,5	ODGR21-M20K	OBGR21-M20K	16,5 x 21,2	9	24	9 - 12
M20 x 1,5	ODGR21-M20	OBGR21-M20	16,5 x 21,2	10	27	11 - 14
M25 x 1,5	ODGR28-M25	OBGR28-M25	23 x 28,4	11	33	14 - 18
PG7	ODGR10-PG7	OBGR10-PG7	6,5 x 10	8	15	3,5 - 6
PG7	ODGR12-PG7	OBGR12-PG7	8,5 x 12	8	15	3,5 - 6
PG9	ODGR13-PG9	OBGR13-PG9	10 x 13	8	19	4,5 - 7
PG9	ODGR15-PG9	OBGR15-PG9	12 x 15,8	8	19	4,5 - 7
PG9	ODGR18-PG9	OBGR18-PG9	14, 2 x 18,4	8	19	4,5 - 7
PG11	ODGR13-PG11	OBGR13-PG11	10 x 13	8	22	6 - 9
PG11	ODGR15-PG11	OBGR15-PG11	12 x 15,8	8	22	6 - 9
PG11	ODGR18-PG11	OBGR18-PG11	14, 2 x 18,4	8	22	6 - 9
PG13,5	ODGR13-PG13,5	OBGR13-PG13,5	10 x 13	9	24	9 - 12
PG13,5	ODGR15-PG13,5	OBGR15-PG13,5	12 x 15,8	9	24	9 - 12
PG13,5	ODGR18-PG13,5	OBGR18-PG13,5	14, 2 x 18,4	9	24	9 - 12
PG13,5	ODGR21-PG13,5	OBGR21-PG13,5	16,5 x 21,2	9	24	9 - 12
PG16	ODGR21-PG16	OBGR21-PG16	16,5 x 21,2	10	27	11 - 14
PG21	ODGR28-PG21	OBGR28-PG21	23 x 28,4	11	33	14 - 18
PG29	ODGR34-PG29	OBGR34-PG29	29 x 34,5	11	42	18 - 25
PG36	ODGR42-PG36	OBGR42-PG36	36 x 42,5	13	53	25 - 32

Halogen free



## TACFLEX POLYAMIDE CLIPS

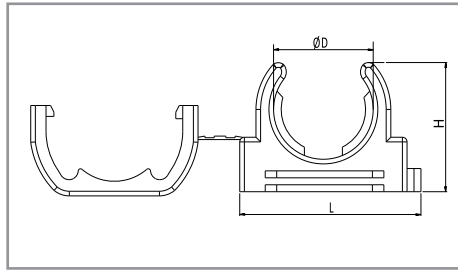
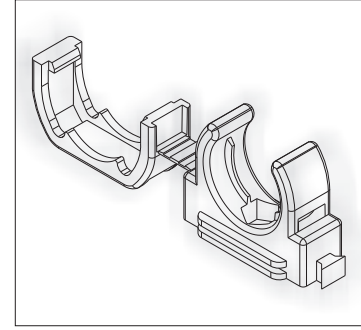
### TECHNICAL DETAILS

Material : Polyamide PA6 V2  
 Color : Grey (RAL7031) Black (Ral9005)  
 Temperature range : -30 °C +80 °C

### Properties

UV resistance (black)  
 Easy to assemble  
 Halogen free  
 Apply with either PA or PP conduits

## POLYAMIDE CLIPS FOR SPIRAL CONDUITS



### POLYAMİD KAPAKLI KLİPS

Hammaddesi : Polyamid 6  
 Renk : RAL 7031 (Gri)  
 RAL 9005 (Siyah)  
 Çalışma sıcaklığı : -30 °C + 80 °C  
 Özellikler : Kapak atmama özelliği  
 Yan yana takılabilme özelliği  
 Alt - Üst'ten spiral tutma özelliği



## POLYAMIDE CLIPS

Gray Code ■ RAL 7031	Black Code ■ RAL 9005	Spiral Code	L mm.	H mm.	Ø D mm.
ODGK 10	ODBK 10	OGPA 7	24,5	15	10
ODGK 13	ODBK 13	OGPA 9	24,5	15	11,6
ODGK 15	ODBK 15	OGPA 11	30	21	16
ODGK 18	ODBK 18	OGPA 13,5	34	24	18,5
ODGK 21	ODBK 21	OGPA 16	39	28	21,5
ODGK 28	ODBK 28	OGPA 21	51	37	28,5
ODGK 34	ODBK 34	OGPA 29	62	45,5	35
ODGK 42	ODBK 42	OGPA 36	74,5	55,5	42,5
ODGK 54	ODBK 54	OGPA 48	95,5	71	55

PRODUCT RANGE OVERVIEW

Halogen free

TACFLEX CONDUIT GLANDS FOR PVC SPIRAL

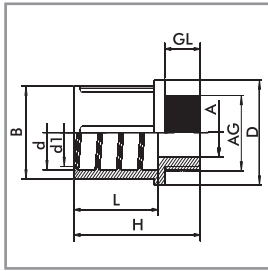
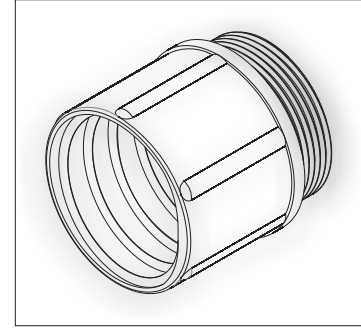
TECHNICAL DETAILS

Material : Polyamide PA6 V2  
Connection thread : Metric (EN 60423)/ PG (DIN 40430)  
Color : Grey (RAL7031) Black (Ral9005)  
Temperature range : -30 °C +80 °C

Properties

UV resistance (black)  
Easy to assemble  
Halogen free  
Apply with either plastic or metal conduits

POLYAMIDE  
CONDUIT GLANDS  
FOR PVC SPIRALS



PVC SPİRAL BORU RAKORLARI

Hammaddesi : Polyamid  
Renk : RAL 7001 (Gri)  
RAL 7035 (A. Gri)  
RAL 9005 (Siyah)  
Bağlantı Dişi M : EN 60423  
Bağlantı Dişi PG : DIN 40430  
Koruma sınıfı : IP 40  
Çalışma sıcaklığı : -30 °C + 80 °C  
Kısa süreli ısıya direnci : +150 °C



METRIC/PG CONDUIT GLANDS

AG Thread	Gray Code ■ RAL 7001	L. Gray Code ■ RAL 7035	Black Code ■ RAL 9005	A mm.	B mm.	D mm.	GL mm.	H mm.	L mm.	d mm.	d1 mm.
M 12 x 1,5	MHG 01	MHL 01	MHB 01	7	16	17,5	8	29	20	13,3	11,6
M 16 x 1,5	MHG 02	MHL 02	MHB 02	10	19	20	8	29	20	15,8	13,6
M 16 x 1,5	MHG 03	MHL 03	MHB 03	11	22,5	24	8	32	23	20	17,7
M 20 x 1,5	MHG 04	MHL 04	MHB 04	13	24,5	26	9	34	24	21,8	18,8
M 20 x 1,5	MHG 05	MHL 05	MHB 05	15	26	27,5	10	35	24	23,5	20,7
M 25 x 1,5	MHG 06	MHL 06	MHB 06	19	32	33,5	11	38	25,5	29,2	26,5
M 40 x 1,5	MHG 07	MHL 07	MHB 07	31,5	41	42	11	43	30,5	38	34,7
M 50 x 1,5	MHG 08	MHL 08	MHB 08	40,8	51,8	53	14	54	33	47,6	42,9
M 63 x 1,5	MHG 09	MHL 09	MHB 09	50	62	64	14	57	37	57,7	53,3
SPECIAL SIZE											
M 20 x 1,5	MHG 10	MHL 10	MHB 10	14,5	22,5	24	8	32	23	20	17,7
M 25 x 1,5	MHG 11	MHL 11	MHB 11	17,5	26	27,5	10	35	24	23,5	20,7
M 32 x 1,5	MHG 12	MHL 12	MHB 12	26,7	32	33,5	11	38	25,5	29,2	26,5
PG 7	OHG 01	OHL 01	OHB 01	7	16	17,5	8	29	20	13,3	11,6
PG 9	OHG 02	OHL 02	OHB 02	10	19	20	8	29	20	15,8	13,6
PG 11	OHG 03	OHL 03	OHB 03	13,5	22,5	24	8	32	23	20	17,7
PG 13,5	OHG 04	OHL 04	OHB 04	14	24,5	26	9	34	24	21,8	18,8
PG 16	OHG 05	OHL 05	OHB 05	16	26	27,5	10	35	24	23,5	20,7
PG 21	OHG 06	OHL 06	OHB 06	19	32	33,5	11	38	25,5	29,2	26,5
PG 29	OHG 07	OHL 07	OHB 07	31,6	41	42	11	43	30,5	38	34,7
PG 36	OHG 08	OHL 08	OHB 08	40,8	51,8	53	14	54	33	47,6	42,9
PG 48	OHG 09	OHL 09	OHB 09	51	62	64	14	57	37	57,7	53,3

PRODUCT RANGE OVERVIEW

IP 40

Halogen free


**TACFLEX METAL FLEXIBLE CONDUITS**

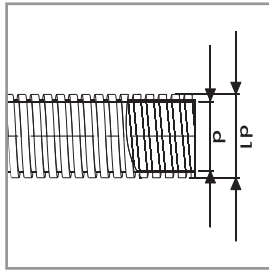
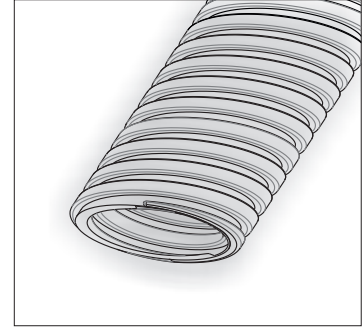
**TECHNICAL DETAILS**

Material	: Galvanised steel
Protection class	: IP40
Temperature range	: -100 °C +300 °C

**Properties**

High impact strength  
 Halogen free  
 Self extinguishing  
 High abrasion resistance  
 Full-shrink packing

# FLEXIBLE SPIRAL CONDUITS METAL


**METAL SİRİAL BORULAR**

Hammaddesi	: Galvaniz & Kalay kaplı sac
Sürekli ısıya direnci	: -100 +300 °C


**PRODUCT RANGE OVERVIEW**

Code	d mm.	d1 mm.	Roll Length mt.
OCS 7	7,5	10,5	50
OCS 9	9	12	50
OCS 11	11	14	50
OCS 13	13	15,5	50
OCS 14	14	17	50
OCS 16	16	19	50
OCS 18	18	21	50
OCS 21	21	24	50
OCS 26	26	30	25
OCS 29	29	33	25
OCS 32	32	36	25
OCS 35	35	39	25
OCS 37	37	41	25
OCS 40	40	44	25
OCS 42	42	46	25
OCS 45	45	49	25
OCS 51	51	55	25
OCS 55	55	59	25
OCS 60	60	64	25
OCS 63	63	67	25
OCS 75	75	80	25

**TACFLEX PVC COATED METAL FLEXIBLE CONDUITS** >>>>>>

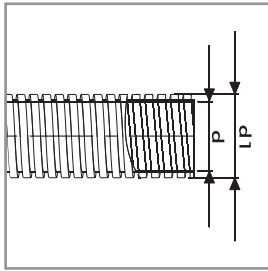
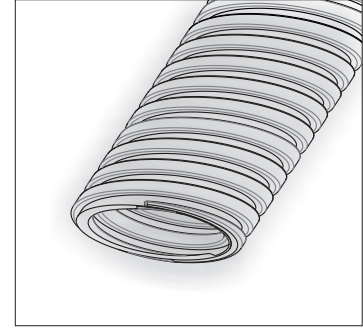
**TECHNICAL DETAILS**

Material : Galvanised steel PVC coated  
 Color : Black (RAL9005)  
 other colors available on request with  
 reasonable qty.  
 Protection class : IP65  
 Temperature range : -15 °C +70 °C

**Properties**

High fatigue life  
 High impact strength  
 Self extinguishing  
 High UV resistance (black)  
 Full-shrink packing

**FLEXIBLE  
 SPIRAL CONDUITS  
 PVC COATED METAL**



**PVC KAPLI METAL SİRİRAL BORULAR**

Hammaddesi : Galvaniz & Kalay kaplı sac  
 Renk : Gri / Siyah  
 Kaplama : PVC  
 Sürekli ısıya direnci : -15 °C +70 °C  
 Özellik : Alev iletmez  
 UV dayanımlı



**PRODUCT RANGE OVERVIEW**

Code	d mm.	d1 mm.	Roll Length mt.
OPCS 7	7,5	11,5	50
OPCS 9	9	13	50
OPCS 11	11	15	50
OPCS 13	13	16,5	50
OPCS 14	14	18	50
OPCS 16	16	20	50
OPCS 18	18	22	50
OPCS 21	21	25	50
OPCS 26	26	31	25
OPCS 29	29	34	25
OPCS 32	32	37	25
OPCS 35	35	40	25
OPCS 37	37	42	25
OPCS 40	40	45	25
OPCS 42	42	47	25
OPCS 45	45	50	25
OPCS 51	51	56	25
OPCS 55	55	60	25
OPCS 60	60	65	25
OPCS 63	63	68	25
OPCS 75	75	83	25


**TACFLEX LIQUID TIGHT FLEXIBLE CONDUITS**

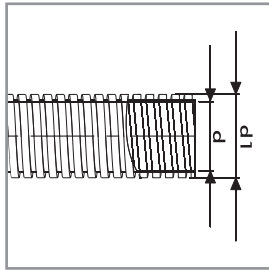
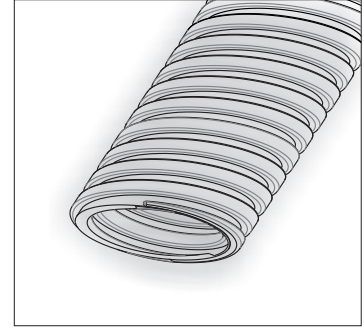
**TECHNICAL DETAILS**

Material	: Galvanised steel PVC coated liquid tight
Color	: Black (RAL9005) other colors available on request with reasonable qty.
Protection class	: IP66
Temperature range	: -20 °C +105 °C

**Properties**

High impact strength  
Self extinguishing  
High UV resistance (black)

## FLEXIBLE SPIRAL CONDUITS LIQUID TIGHT


**AĞIR HİZMET PVC KAPLI METAL SİRİRAL BORULAR**

Hammaddesi	: Galvaniz & Kalay kaplı sac
Kaplama	: PVC
Sürekli ısıya direnci	: -20 °C +105 °C
Özellik	: Alev iletmez UV dayanımlı Ağır hizmet tipi Kırılmayı önleyici mühür ipli
Renk	: Siyah - Gri


**PRODUCT RANGE OVERVIEW**

Code	Size	d mm.		d1 mm.		Roll Length mt.
LGT 10	1/4"	10,3	10,5	15,5	16	30
LGT 12	3/8"	12,3	12,7	17,5	18	30
LGT 16	1/2"	15,5	16,3	20,8	21,4	30
LGT 21	3/4"	20,9	21,3	26,2	26,5	30
LGT 27	1"	26,5	27	32,7	33,3	30
LGT 35	1 1/4"	35	35,5	41,5	42	15
LGT 40	1 1/2"	40	40,5	47,3	48,2	15
LGT 51	2"	51,5	51,9	59,5	60	15
LGT 63	2 1/2"	63	63,5	72,2	73	7,5
LGT 78	3"	78	78,5	88	88,5	7,5
LGT 91	3 1/2"	88,9	89,9	100,6	101,6	7,5
LGT 102	4"	101,6	102,6	113,3	114,3	7,5

**TACFLEX TPV COATED METAL FLEXIBLE CONDUITS** >>>>>>

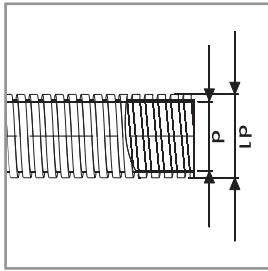
**TECHNICAL DETAILS**

Material : Galvanised steel TPV coated  
Protection class : IP66  
Temperature range : -45 °C +135 °C

**Properties**

High impact strength  
Halogen free  
Self extinguishing  
High UV resistance (black)  
Full-shrink packing

**FLEXIBLE  
SPIRAL CONDUITS  
TPV COATED**



**TPV KAPLI METAL SİRİRAL BORULAR**

Hammaddesi : Galvaniz & Kalay kaplı sac  
Renk : Turuncu  
Kaplama : Thermoplastic vulcanizate  
Sürekli ısıya direnci : -45 °C +135 °C  
Özellik : Halogen free  
Alev iletmez  
UV dayanımlı



**PRODUCT RANGE OVERVIEW**

Code	d mm.	d1 mm.	Roll Length mt.
OPCHF 7	7,5	11,5	50
OPCHF 9	9	13	50
OPCHF 11	11	15	50
OPCHF 13	13	16,5	50
OPCHF 14	14	18	50
OPCHF 16	16	20	50
OPCHF 18	18	22	50
OPCHF 21	21	25	50
OPCHF 26	26	31	25
OPCHF 29	29	34	25
OPCHF 32	32	37	25
OPCHF 35	35	40	25
OPCHF 37	37	42	25
OPCHF 40	40	45	25
OPCHF 42	42	47	25
OPCHF 45	45	50	25
OPCHF 51	51	56	25
OPCHF 55	55	60	25
OPCHF 60	60	65	25
OPCHF 63	63	68	25
OPCHF 75	75	83	25

Halogen free



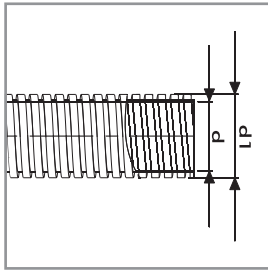
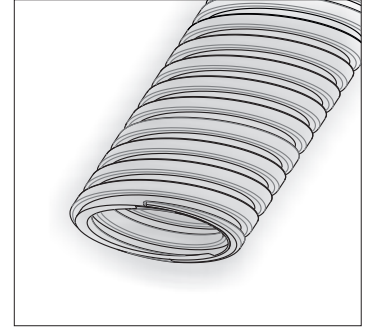

**TACFLEX FLEXIBLE CONDUITS - Steel wire over braiding**
**TECHNICAL DETAILS**

Material	: Galvanised steel galv. steel overbraid * SS overbraid available on request
Protection class	: IP40
Temperature range	: -100 °C +300 °C

**Properties**

High impact strength  
Halogen free  
Self extinguishing  
High abrasion resistance  
Full-shrink packing

## FLEXIBLE SPIRAL CONDUITS STEEL WIRE OVER BRAIDING


**ÇELİK TEL ÖRGÜLÜ METAL SİRAL BORULAR**

Hammaddesi	: Galvaniz & Kalay kaplı sac
Örgü kaplaması	: Galvaniz / Paslanmaz çelik
Sürekli ısıya direnci	: -100 +300 °C
	Emc screen özelliği


**PRODUCT RANGE OVERVIEW**

Code	d mm.	d1 mm.	Roll Length mt.
CTS 9	9	14	50
CTS 11	11	16	50
CTS 13	13	17,5	50
CTS 16	16	21	50
CTS 21	21	26	50
CTS 26	26	32	25
CTS 35	35	41	25
CTS 40	40	46	25
CTS 51	51	57	25

TACFLEX FLEXIBLE CONDUITS - Steel wire over braiding >>>>>>

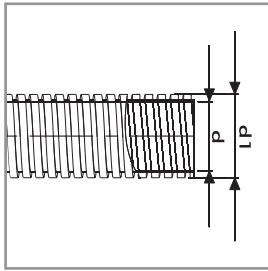
TECHNICAL DETAILS

Material : Galvanised steel PVC coated galv. steel overbraid - stainless steel overbraid available on request  
Protection class : IP65  
Temperature range : -15 °C +70 °C

Properties

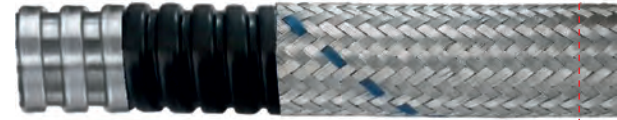
High impact strength  
Self extinguishing  
High abrasion resistance  
Full-shrink packing

FLEXIBLE  
SPIRAL CONDUITS  
STEEL WIRE OVER BRAIDING  
PVC COATED



ÇELİK TEL ÖRGÜLÜ & PVC KAPLI  
METAL SİRAL BORULAR

Hammaddesi : Galvaniz & Kalay kaplı sac  
1. kaplama : PVC  
2. kaplama : Galvaniz / Paslanmaz çelik  
PVC Rengi : Siyah  
Sürekli ısıya direnci : -100 +300 °C  
Emc screen özelliği



PRODUCT RANGE OVERVIEW

Code	d mm.	d1 mm.	Roll Length mt.
CTPS 9	9	15	50
CTPS 11	11	17	50
CTPS 13	13	18,5	50
CTPS 16	16	22	50
CTPS 21	21	27	50
CTPS 26	26	33	25
CTPS 35	35	42	25
CTPS 40	40	47	25
CTPS 51	51	58	25


**TACFLEX FLEXIBLE CONDUITS - Steel wire over braiding**
**TECHNICAL DETAILS**

Material : Galvanised steel wire overbraiding polyamide conduits  
 \* Stainless steel overbraiding available on request

Protection class : IP66

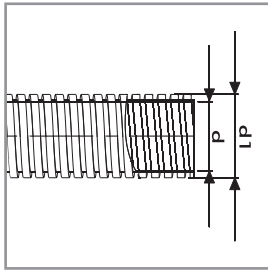
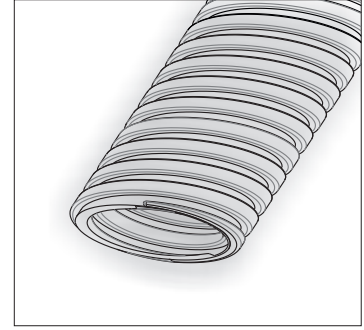
Temperature range : -40 +120 °C

**Properties**

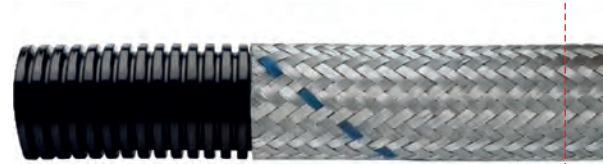
High impact strength  
 High abrasion resistance  
 Apply with either ctpas fixed or swivel  
 Full-shrink packing  
 Halogen free  
 Self extinguishing

## FLEXIBLE SPIRAL CONDUITS

STEEL WIRE OVER BRAIDING  
 POLYAMIDE CONDUIT


**ÇELİK TEL ÖRGÜLÜ POLYAMİD  
 SİRİRAL BORULAR**

Hammaddesi : Polyamide PA6 V2  
 1. kaplama : Galvaniz Çelik  
 Spiral Rengi : Gri - Siyah  
 Sürekli ısıya direnci : -40 °C +120 °C


**PRODUCT RANGE OVERVIEW**

Code	d mm.	d1 mm.	Roll Length mt.
CTPAS 7	6,5	12	100
CTPAS 8,5	8,5	14	100
CTPAS 9	10	15	100
CTPAS 11	12	17,8	50
CTPAS 13,5	14,2	20,4	50
CTPAS 16	16,5	23,2	50
CTPAS 21	23	30,4	50
CTPAS 29	29	36,5	25
CTPAS 36	36	44,5	25
CTPAS 48	48	56,5	25

TACFLEX FLEXIBLE CONDUIT GLANDS

TECHNICAL DETAILS

Material

Cap nut	: Brass with nickel plated
Ring	: PA6
Ferrule	: Aluminium / brass
Gland body	: Brass with nickel plated
O-ring	: NBR
Connection thread	: Metric (EN 60423)/PG (DIN 40430)
Protection class	: IP67
Temperature range	: -20 °C +80 °C

Properties

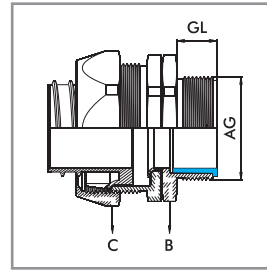
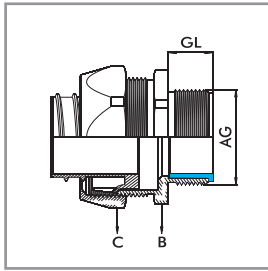
Easy to assemble  
Fixed or swivel body versions  
Apply with either LGT or CTS, CTPS conduits

FLEXIBLE SPIRAL  
CONDUIT GLANDS

LIQUID TIGHT  
FIXED & SWIVEL

AĞIR HİZMET SİRAL BORU RAKORU  
SABİT & DÖNER DİŞ

Hammaddesi	: Pirinç, nikel kaplı
Bağlantı dişi M	: EN 60423
Bağlantı dişi PG	: DIN 40430
Koruma sınıfı	: IP67
O-ring	: Nitril kauçuk
Uygun sipiral	: LGT-CTS-CTPS



FIXED/SWIVEL BODY

PRODUCT RANGE OVERVIEW

Code		AG Thread		Spiral Measure	GL mm.	B mm.	C mm.
PG	Metric	PG	Metric				
LSRP 00	LSRM 00	PG 7	M 12 x 1,5	10 - 1/4"	10	20	22
LSRP 1A	LSRM 1A	PG 9	M 16 x 1,5	10 - 1/4"	10	20	22
LSRP 01	LSRM 01	PG 11	M 16 x 1,5	13 - 3/8"	11,5	24	26
LSRP 2A	LSRM 2A	PG 13,5	M 20 x 1,5	16 - 1/2"	13	27	29
LSRP 02	LSRM 02	PG 16	M 20 x 1,5	16 - 1/2"	13	27	29
LSRP 03	LSRM 03	PG 21	M 25 x 1,5	21 - 3/4"	15	33	35
LSRP 04	LSRM 04	PG 29	M 32 x 1,5	26 - 1"	15	43	45
LSRP 05	LSRM 05	PG 36	M 40 x 1,5	35 - 1 1/4"	16	52	54
LSRP 06	LSRM 06	PG 42	M 50 x 1,5	40 - 1 1/2"	18	60	63
LSRP 07	LSRM 07	PG 48	M 63 x 1,5	51 - 2"	20	74	77
SWIVEL BODY							
LSRDP 00	LSRDM 00	PG 7	M 12 x 1,5	10 - 1/4"	10	20	22
LSRDP 1A	LSRDM 1A	PG 9	M 16 x 1,5	10 - 1/4"	10	20	22
LSRDP 01	LSRDM 01	PG 11	M 16 x 1,5	13 - 3/8"	11,5	24	26
LSRDP 2A	LSRDM 2A	PG 13,5	M 20 x 1,5	16 - 1/2"	13	27	29
LSRDP 02	LSRDM 02	PG 16	M 20 x 1,5	16 - 1/2"	13	27	29
LSRDP 03	LSRDM 03	PG 21	M 25 x 1,5	21 - 3/4"	15	33	35
LSRDP 04	LSRDM 04	PG 29	M 32 x 1,5	26 - 1"	15	43	45
LSRDP 05	LSRDM 05	PG 36	M 40 x 1,5	35 - 1 1/4"	16	52	54
LSRDP 06	LSRDM 06	PG 42	M 50 x 1,5	40 - 1 1/2"	18	60	63
LSRDP 07	LSRDM 07	PG 48	M 63 x 1,5	51 - 2"	20	74	77

IP 67


**TACFLEX FLEXIBLE CONDUIT GLANDS**

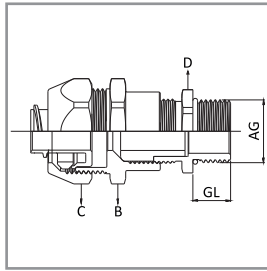
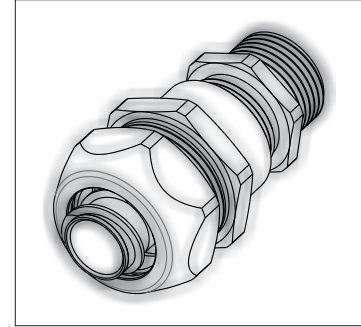
**TECHNICAL DETAILS**
**Material**

Cap nut	: Brass with nickel plated
Clamping insert	: PA6
Sealing ring	: TPV
Ring	: Polyethylene
Ferrule	: Aluminium / brass
Gland body	: Brass with nickel plated
O-ring	: NBR
Connection thread	: Metric (EN 60423)/PG (DIN 40430)
Protection class	: IP67
Temperature range	: -20 °C +80 °C

**Properties**

Easy to assemble  
 Fixed or swivel body version  
 Apply with either LGT or CTS, CTPS conduits

## FLEXIBLE SPIRAL CONDUIT GLANDS LIQUID TIGHT WITH CABLE HOLDER


**AĞIR HİZMET KABLO TUTUCULU  
 SİRAL BORU RAKORU**

Hammaddesi	: Pirinç, nikel kaplı
Bağlantı dişi M	: EN 60423
Bağlantı dişi PG	: DIN 40430
Koruma sınıfı	: IP67
O-ring	: Nitril kauçuk
Uygun sipiral	: LGT-CTS-CTPS


**PG FIXED/SWIVEL BODY**

Code	AG Thread	Spiral Measure	GL mm.	B mm.	C mm.	D mm.	Cables mm.
MLSRP 00	PG 7	10-1/4"	6	20	22	14	3-6,5
MLSRP 1A	PG 9	10-1/4"	6	20	22	17	4-8
MLSRP 01	PG 11	13-3/8"	6	24	26	20	5-10
MLSRP 2A	PG 13,5	16-1/2"	6,5	27	29	22	6-12
MLSRP 02	PG 16	16-1/2"	6,5	27	29	24	10-14
MLSRP 03	PG 21	21-3/4"	7	33	35	30	13-18
MLSRP 04	PG 29	26-1"	8	43	45	40	18-25
MLSRP 05	PG 36	35-1 1/4"	10	52	54	50	22-32
MLSRP 06	PG 42	40-1 1/2"	12	60	63	57	30-38
MLSRP 07	PG 48	51-2"	14	74	77	64	34-44

**METRIC FIXED/SWIVEL BODY**

Code	Metric Thread	Spiral Measure	GL mm.	B mm.	C mm.	D mm.	Cables mm.
MLSRM 00	M 12 x 1,5	10-1/4"	6	20	22	14	3-6,5
MLSRM 1A	M 16 x 1,5	10-1/4"	7	20	22	18	4-8
MLSRM 01	M 16 x 1,5	13-3/8"	7	24	26	18	4-8
MLSRM 02	M 20 x 1,5	16-1/2"	8	27	29	22	6-12
MLSRM 03	M 25 x 1,5	21-3/4"	8	33	35	27	10-14
MLSRM 04	M 32 x 1,5	26-1"	9	43	45	34	13-18
MLSRM 05	M 40 x 1,5	35-1 1/4"	9	52	54	43	18-25
MLSRM 06	M 50 x 1,5	40-1 1/2"	9	60	63	55	22-32
MLSRM 07	M 63 x 1,5	51-2"	14	74	77	68	34-44

**PRODUCT RANGE OVERVIEW**

IP 67

TACFLEX FLEXIBLE CONDUIT GLANDS

TECHNICAL DETAILS

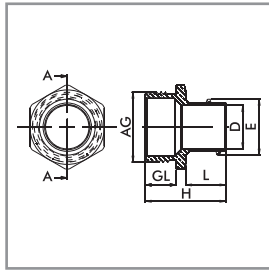
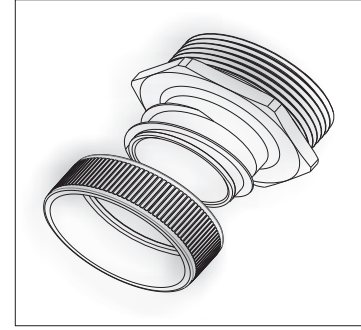
Material

Ring	: Brass with nickel plated
Fixed gland body	: Brass with nickel plated
O-ring	: NBR
Connection thread	: Metric (EN 60423)/PG (DIN 40430)
Protection class	: IP54
Temperature range	: -20 °C +80 °C

Properties

Easy to assemble  
Fixed or swivel body versions  
Apply with either OCS or OPCS conduit series

FLEXIBLE SPIRAL  
CONDUIT GLANDS  
FIXED BODY



SABİT DİŞ SİRİL BORU RAKORU

Hammaddesi	: Piriç, nikel kaplı
Bağlantı dişi M	: EN 60423
Bağlantı dişi PG	: DIN 40430
Koruma sınıfı	: IP54
O-ring	: Nitril kauçuk
Uygun spiral	: OCS-OPCS



METRIC/PG THREAD CABLE GLANDS

PRODUCT RANGE OVERVIEW

AG Thread	Code	H mm.	GL mm.	L mm.	D mm.	mm.	E mm.
M 12 x 1,5	MMR 12	24	8	13	6	15	7,5 x 11,5
M 16 x 1,5	MMR 16	24	8	13	7	20	9 x 13
M 16 x 1,5	MMR 116	26	10	13	9	20	11 x 15
M 20 x 1,5	MMR 20	26	10	13	12	22	14 x 18
M 20 x 1,5	MMR 120	26	10	13	14	22	16 x 20
M 25 x 1,5	MMR 25	27	10	13	18	28	21 x 25
M 32 x 1,5	MMR 32	31	12	15	23	35	26 x 31
M 40 x 1,5	MMR 40	36	14	17	33,5	45	37 x 42
M 50 x 1,5	MMR 50	36	14	17	37	55	40 x 45
M 63 x 1,5	MMR 63	36	14	17	46	65	51 x 56
PG 7	MPR 7	24	8	13	6	15	7,5 x 11,5
PG 9	MPR 9	24	8	13	7	17	9 x 13
PG 11	MPR 11	26	10	13	9	20	11 x 15
PG 13,5	MPR 13,5	26	10	13	12	22	14 x 18
PG 16	MPR 16	26	10	13	14	24	16 x 20
PG 21	MPR 21	27	10	13	18	30	21 x 25
PG 29	MPR 29	31	12	15	23	40	26 x 31
PG 36	MPR 36	36	14	17	33,5	50	37 x 42
PG 42	MPR 42	36	14	17	37	60	40 x 45
PG 48	MPR 48	36	14	17	46	65	51 x 56

IP 54


**TACFLEX FLEXIBLE CONDUIT GLANDS**

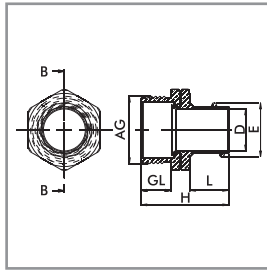
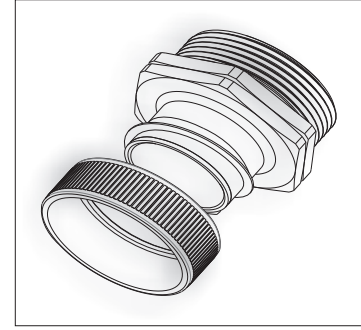
**TECHNICAL DETAILS**
**Material**

Ring	: Brass with nickel plated
Swivel gland body	: Brass with nickel plated
O-ring	: NBR
Connection thread	: Metric (EN 60423)/PG (DIN 40430)
Protection class	: IP54
Temperature range	: -20 °C +80 °C

**Properties**


Easy to assemble  
 Fixed or swivel body versions  
 Apply with either OCS or OPCS conduit series

## FLEXIBLE SPIRAL CONDUIT GLANDS SWIVEL BODY


**DÖNER DIŞ SPIRAL BORU RAKORU**

Hammaddesi	: Pirinç, nikel kaplı
Bağlantı dişi M	: EN 60423
Bağlantı dişi PG	: DIN 40430
Koruma sınıfı	: IP54
O-ring	: Nitril kauçuk
Uygun spiral	: OCS-OPCS


**METRIC/PG THREAD CABLE GLANDS**
**PRODUCT RANGE OVERVIEW**

AG Thread	Code	H mm.	GL mm.	L mm.	D mm.	 mm.	E mm.
M 12 x 1,5	MDM 12	27	8	13	6	15	7,5 x 11,5
M 16 x 1,5	MDM 16	27	8	13	7	20	9 x 13
M 16 x 1,5	MDM 116	29	10	13	9	20	11 x 15
M 20 x 1,5	MDM 20	29	10	13	12	22	14 x 18
M 20 x 1,5	MDM 120	29	10	13	14	22	16 x 20
M 25 x 1,5	MDM 25	31	10	13	18	28	21 x 25
M 32 x 1,5	MDM 32	35	12	15	23	35	26 x 31
M 40 x 1,5	MDM 40	41	14	17	33,5	45	37 x 42
M 50 x 1,5	MDM 50	41	14	17	37	55	40 x 45
M 63 x 1,5	MDM 63	41	14	17	46	65	51 x 56
PG 7	MDP 7	27	8	13	6	15	7,5 x 11,5
PG 9	MDP 9	27	8	13	7	17	9 x 13
PG 11	MDP 11	29	10	13	9	20	11 x 15
PG 13,5	MDP 13,5	29	10	13	12	22	14 x 18
PG 16	MDP 16	29	10	13	14	24	16 x 20
PG 21	MDP 21	31	10	13	18	30	21 x 25
PG 29	MDP 29	35	12	15	23	40	26 x 31
PG 36	MDP 36	41	14	17	33,5	50	37 x 42
PG 42	MDP 42	41	14	17	37	60	40 x 45
PG 48	MDP 48	41	14	17	46	65	51 x 56

IP 54



**CUSTOMIZED SOLUTIONS**



## ORTAC WATERPROOF & SUPERSEAL CONNECTORS

### ORTAC CUSTOMIZED CONNECTORS



#### LED WATERPROOF CONNECTORS

##### TECHNICAL DETAILS

Contact	: Brass nickel plated
Current Rating	: 2pin:5A - 4pin:3A
Voltage Rating	: 220V AC
Contact Resistance	: <10M $\Omega$
Insulation Resistance	: 1000M $\Omega$ at DC 500 V.
Breakdown Voltage	: 1,5KV / 1 min.
Temperature Rate	: -30~85°C
Durability (Plug/Unplug)	: 3000 times
Waterproof Rating	: IP67
Cable Max. Dia.	: 2pin/4pin: $\varnothing$ 6mm.
Pins Range	: 2,4 pin
Certificate	: CE; RoHS



#### Waterproof Connector

**Available Cable Sizes:** 2x0,75, 4x0,50

**Available pin Sizes:** 2,4

**Application Area:** LED technologies, Superior industrial machines and equipments, power&signal control components.

### ORTAC CUSTOMIZED CONNECTORS



#### SUPERSEAL CONNECTORS

##### TECHNICAL DETAILS

Material	: Housing and secondary lock: polyamide 6.6 glass filled,
Resistant to	: Ozone, salts (CACl <sub>2</sub> -NACl), gasoline, diesel fuel, brake fluid detergents, anti-freeze coolant, transmission gear lubricant, motor oil.
Waterproof Rating	: IP67
Temperature Rate	: -40°C + 125°C
Insulation Resistance	: min. 200 M $\Omega$
Dielectric with standing Voltage	: 1500 Vrms
Temperature Rise	: see fig. 1 diagram
TAB	:
Material	: Brass tin plated laceless contact
Wire size range	: 20-16 AWG
Current Rating	: 14 Amp maximum
Insertion force	: max. 8 N
Contact resistance	: max. 3 m $\Omega$ (test current 10 mA)



#### Superseal Connectors

**Available Cable Sizes:** 2x0,50,2x0,75, 2x1 / 3x0,50,3x0,75,3x1 / 4x0,50,4x0,75,4x1

**Available pin Sizes:** 2,3,4

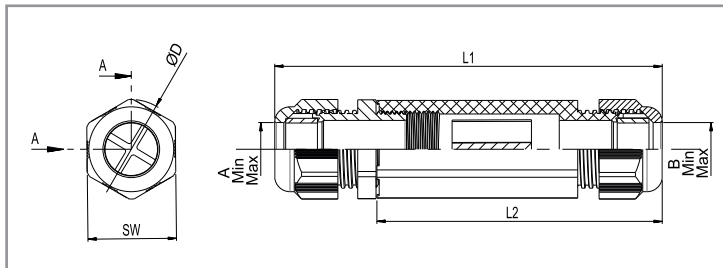
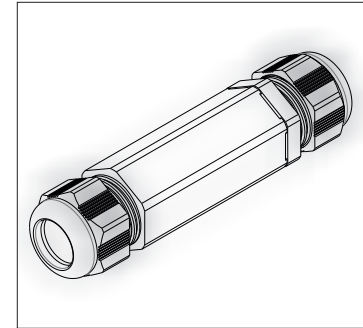
**Application Area:** Automotive & Lighting Industries to connect cables with safety way.

## ORTAC SPECIAL CABLE CONNECTION PARTS

### TECHNICAL DETAILS

<b>Material</b>	
Cap nut	: Polyamide PA6 V2
Sealing ring	: TPV
Gland Body	: Polyamide PA6 V2
Body	: Polyamide PA6 V2
Seperator	: Polyamide PA6 V2
Inner terminal	: Polyamide PA6 V2 + 0% GF
O-ring	: NBR
<b>Connection Thread</b>	: Metric (EN 60423)
<b>Protection Class</b>	: IP68 5 bar
<b>Temperature</b>	: -30 °C / +80 °C +150 °C (short term)
<b>Benefits</b>	
UV resistance	
Various application & combinations	
Wide cable range	
Easy to assemble	
Halogen free	

## TUBEGLAND



### PRODUCT RANGE OVERVIEW

AG Thread	Code With Seperator	Code With Terminal	L1 mm.	L2 mm.	D mm.	mm.	A mm	B mm
M25x1,5	OTG 01	OTGT 01	127	93,5	32,6	29	11-17	11-17
M25x1,5	OTG 02	OTGT 02	127	93,5	32,6	29	11-17	13-18
M25x1,5	OTG 03	OTGT 03	127	93,5	32,6	29	11-17	9-14
M25x1,5	OTG 04	OTGT 04	127	93,5	32,6	29	11-17	9-16
M25x1,5	OTG 05	OTGT 05	127	93,5	32,6	29	11-17	6-12
M25x1,5	OTG 06	OTGT 06	127	93,5	32,6	29	9-14	9-14
M25x1,5	OTG 07	OTGT 07	127	93,5	32,6	29	11-17	4-10
M25x1,5	OTG 08	OTGT 08	127	93,5	32,6	29	9-14	4-10
M25x1,5	OTG 09	OTGT 09	127	93,5	32,6	29	9-14	6-12
M25x1,5	OTG 10	OTGT 10	127	93,5	32,6	29	9-14	9-16
M25x1,5	OTG 11	OTGT 11	127	93,5	32,6	29	9-14	13-18
M25x1,5	OTG 12	OTGT 12	127	93,5	32,6	29	9-14	11-17

### TUB-TERM / TUBEGLAND TERMINALS

Product code	: TBT
Material	: Polyamide 6
Inside material	: Stainless Steel
Temperature rating	: -40+120
Available cable sizes	: 0,5 / 0,75 / 1 / 1,5 / 2
Available cable pin size	: 4 pin
Application area	: Automotive, lighting industries, led technologies



**ORTAC RJ-45 CABLE GLANDS**



**RJ-45 CABLE GLANDS  
BRASS-POLYAMIDE**

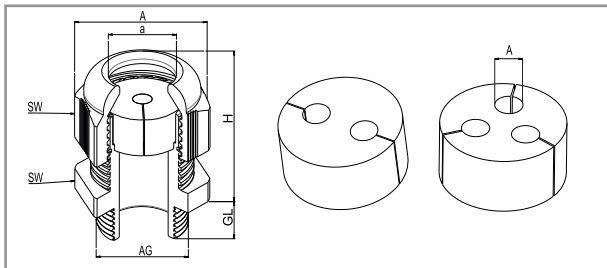
**TECHNICAL DETAILS**

**Material**

- Cap nut : Polyamide PA6 V2 / V0 (optional)
- Sealing ring : TPV (special seal for RJ-45 cables)
- Gland Body : Polyamide PA6 V2 / V0 (optional)
- O-ring : NBR (optional)
- Connection Thread : Metric (EN 60423) / PG (DIN 40430)
- Protection Class : IP68 5 bar
- Temperature : -30 °C / +80 °C  
+150 °C (short term)

**Benefits**

- Designed and produced to use with RJ-45 cables
- Various seal options (multiholes)
- Wide cable range
- Easy to assemble
- Halogen free



PRODUCT RANGE OVERVIEW

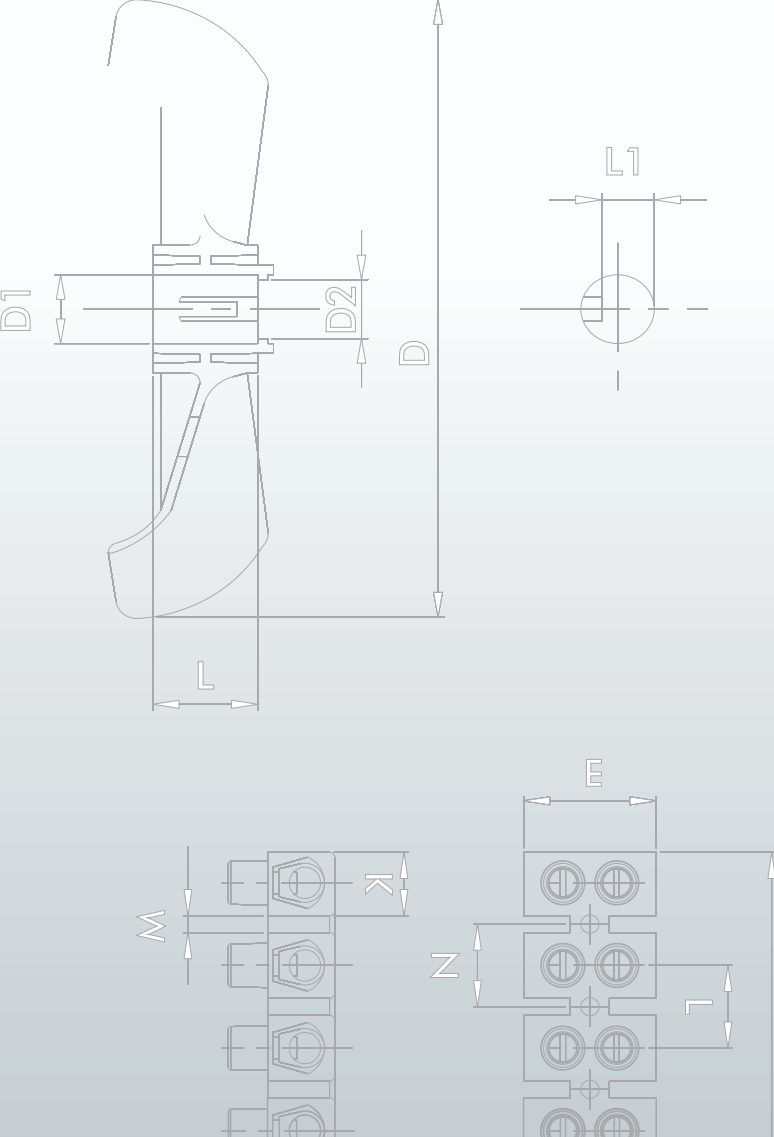
AG Thread	Gray Code	L. Gray Code	Black Code	H mm.	GL mm.	mm.	A mm.
PG21	ORG06-SR05	ORL06-SR05	ORB06-SR05	38	11	33	5
PG21	ORG06A5-SR	ORL06A5-SR	ORB06A5-SR	38	11	33	2x5
PG21	ORG06B5-SR	ORL06B5-SR	ORB06B5-SR	38	11	33	3X5
PG29	ORG07-SR05	ORL07-SR05	ORB07-SR05	41	11	42	5
M25	OMRG06-SR05	OMRL06-SR05	OMRB06-SR05	38	10	33	5
M25	OMRG06A5-SR	OMRL06A5-SR	OMRB06A5-SR	38	10	33	2x5
M25	OMRG06B5-SR	OMRL06B5-SR	OMRB06B5-SR	38	10	33	3X5
M32	OMRG07-SR05	OMRL07-SR05	OMRB07-SR05	41	10	42	5

**BRASS CABLE GLANDS**

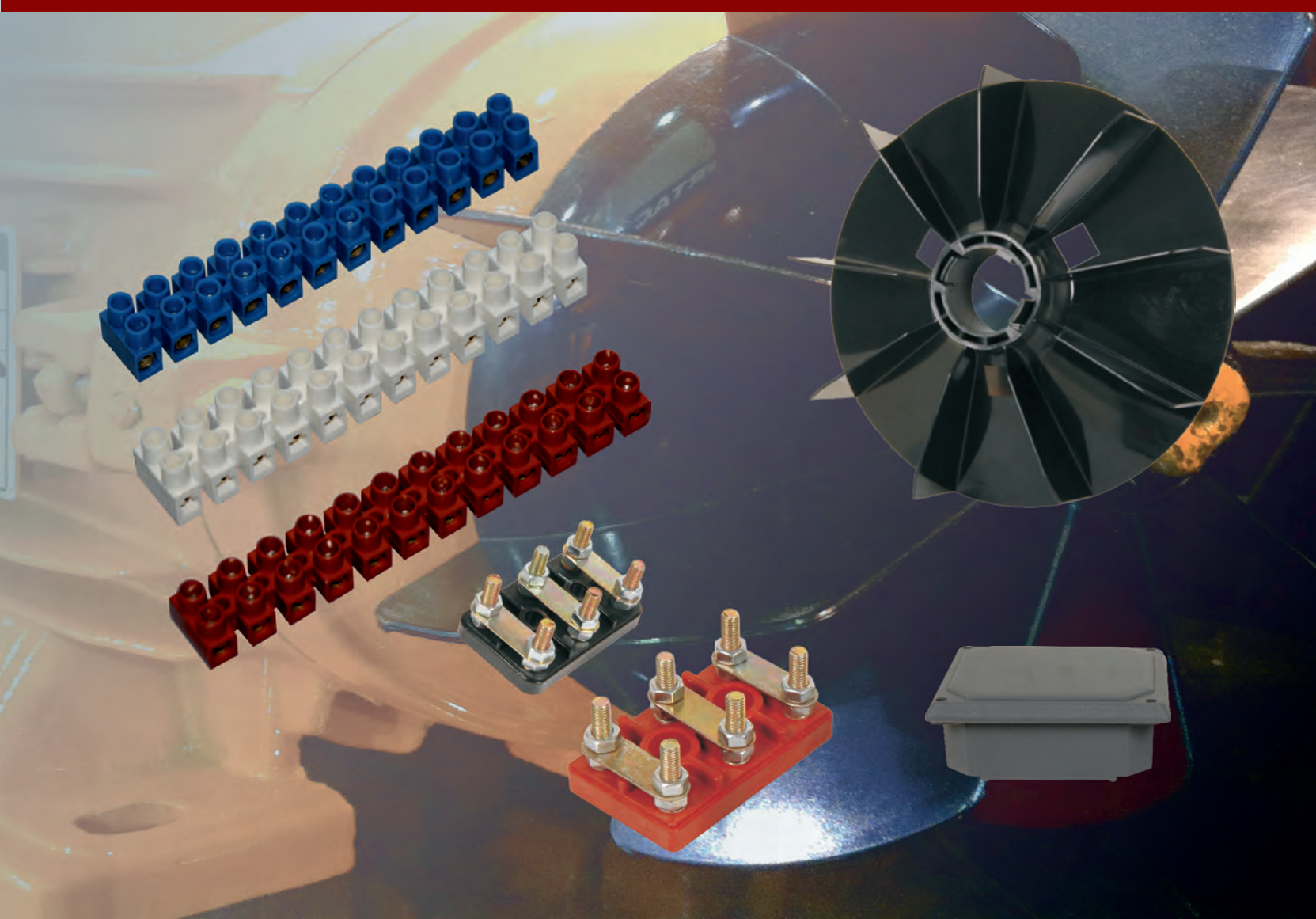
PG21	OPBG06-SR05			31,5	7	30	5
PG21	OPBG06A5-SR			31,5	7	30	2x5
PG21	OPBG06B5-SR			31,5	7	30	3X5
PG29	OPBG07-SR05			38	8	40	5
M32	OMBG06-SR05			31,5	9	34	5
M32	OMBG06A5-SR			31,5	9	34	2x5
M32	OMBG06B5-SR			31,5	9	34	3X5
M40	OMBG07-SR05			38	9	43	5

IP 68





## OTHER PRODUCTS



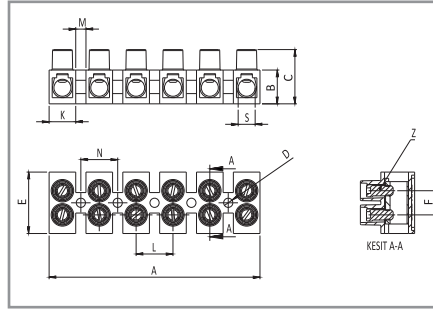
## TERMINALS

### ORTAC PLASTIC SCREW TERMINALS



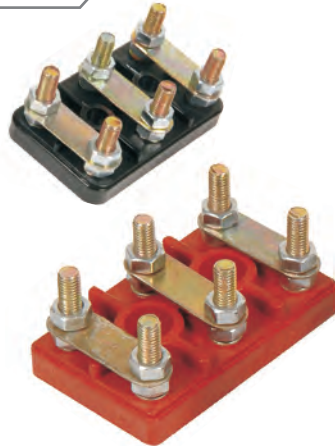
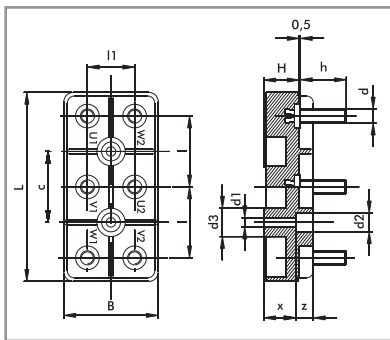
### SIRA KLEMENSLER

EN	TR
<b>Material</b> : Polyamide Polycarbonate Polyethylene	<b>Hammaddesi</b> : Polyamid Polikarbonat Polietilen
<b>Insert</b> : Brass, nickel plated	<b>İç bara</b> : Piriç, nikel kaplı
<b>Temperature</b> : -20 +100 °C	<b>Çalışma Sıcaklığı</b> : -20 +100 °C
<b>Current rating</b> : EN 60998-2-1 24 Amp	<b>Akım kapasitesi</b> : EN 60998-2-1 : 24 Amp
<b>Voltage rating</b> : 400 V	<b>Gerilim</b> : 400 V



Type	Size	Number of ways	A mm.	B mm.	C mm.	D mm.	E mm.	F mm.	K mm.	L mm.	M mm.	N mm.	S mm.	Z mm.
2,5 - 4 mm	01	12	117,5	10	17,5	3,5	19,5	7,6	6,5	10	3,5	10	4,5	M 3
4 - 6 mm	02	12	135	10,5	18,7	4	21,3	8,6	7,7	11,6	4	11,6	5,5	M 3,5
6 - 10 mm	03	10	142	12,5	21,5	4	22	10,2	10	14,5	4,5	14,7	7	M 4
10 - 16 mm	04	6	97,5	15,2	25	5	30	11,5	11,85	16,85	5	14,85	9	M 5
16 - 25 mm	05	6	103,5	16,7	26,7	5	30	11,8	13	18	5	18	10	M 5

### MOTOR KLEMENSLERİ



### ORTAC WIRE CONNECTORS

EN	TR
<b>Material</b> : Polyamide V0 V0 (optional) + Glass fibre reinforced	<b>Hammaddesi</b> : Polyamid V2 V0 (opsiyonel) + Cam elyaf katkılı
<b>Colour</b> : Brown Black	<b>Renk</b> : Kahverengi Siyah
<b>Permanent operational temp.</b> : -40 + 100 °C	<b>Sürekli ısıya direnci</b> : -40 + 100 °C
<b>Short term max. operational temp.</b> : +150 °C	<b>Kısa süreli ısıya direnci</b> : +150 °C

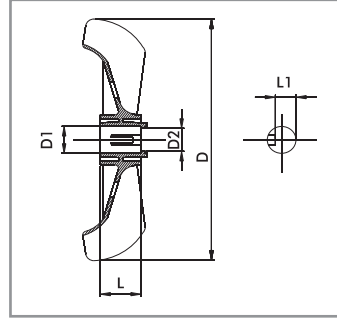
Type	Brown Code	Black Code	L mm.	B mm.	H mm.	l mm.	l1 mm.	c mm.	d mm.	h mm.	x mm.	z mm.	d1 mm.	d2 mm.	d3 mm.
56 - 63	MKE 01	MK 01	40	25	8,5	15	15	15	M 4	15	4	6	4,5	8	11
71 - 80	MKE 02	MK 02	50	30	8,5	20	20	20	M 4	15	4	7,5	6,3	10,5	14,8
132	MKE 03	MK 03	60	37	10	23	23	23	M 5	19	6,5	7,5	6,3	10,5	14,8
160 - 180	MKE 04	MK 04	72	44	12	28	28	28	M 6	24	8,5	7,5	6,5	10,5	15,8
225 - 250	MKE 05	MK 05	91	56	12,5	35	35	35	M 8	28	10	7,5	6,5	10,5	15,8
280	MKE 06	MK 06	115	70	15,5	45	45	45	M 10	34	10,5	11	9,5	15,5	21,8

# MOTOR ACCESSORIES

## MOTOR PERVANELERİ

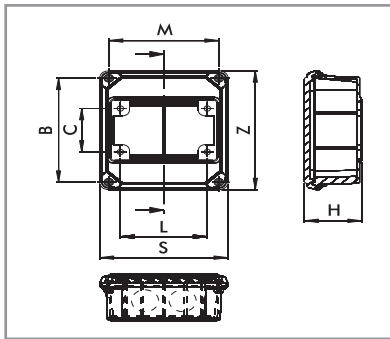
### ORTAC ELECTRICAL MOTOR PROPELLERS

EN	TR
<b>Material</b> : Polyamide	<b>Hammaddesi</b> : Polyamid
<b>Colour</b> : Black	<b>Renk</b> : Siyah
<b>Permanent operational temp.</b> : -40 + 100 °C	<b>Sürekli ısıya direnci</b> : -40 + 100 °C
<b>Short term max. operational temp.</b> : +150 °C	<b>Kısa süreli ısıya direnci</b> : +150 °C



Type	Code	D mm.	D1 mm.	D2 mm.	L mm.	L1 mm.
63	ORT 02	95	11	9,4	18,5	8,7
71	ORT 03	129	14	12	20	11,2
80	ORT 04	146	19	17	22	15,7
90	ORT 05	140	24	22	24	20,7
100 - 112	ORT 06	165	28	25,6	24	24,7
132	ORT 07	200	38	35,6	32	34,3
160	ORT 08	250	42	39,2	34	38,3
180	ORT 09	270	48	44,5	36	43,6
200 - 225	ORT 10	300	57	53,8	44	52,8
200 - 225	ORT 11	300	62	58,8	44	57,8

## MOTOR KLEMENS KUTULARI



### ORTAC MOTOR TERMINAL BOXES

EN	TR
<b>Material</b> : Polyamide	<b>Hammaddesi</b> : Polyamid
<b>Colour</b> : Gray Black	<b>Renk</b> : Gri Siyah
<b>Permanent operational temp.</b> : -40 + 100 °C	<b>Sürekli ısıya direnci</b> : -40 + 100 °C
<b>Short term max. operational temp.</b> : +150 °C	<b>Kısa süreli ısıya direnci</b> : +150 °C

Type	Gray Code	Black Code	Z mm.	S mm.	H mm.	L mm.	C mm.	M mm.	B mm.	Cable Gland Size
56 - 63	PMK 01	PMKS 01	95,5	82,5	44	50	50	69	82	PG11
71 - 80 - 90	PMK 02	PMKS 02	103,5	93	49	55	55	77,5	88	PG16
100 - 112	PMK 03	PMKS 03	125,5	109	49	74	46	93,5	110	PG16
132	PMK 04	PMKS 04	143,5	127,5	56	92	46	112	128	PG21

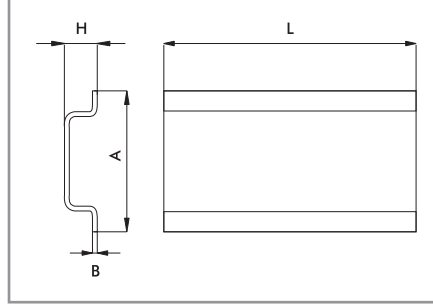
## DIN RAILS

### ORTAC DIN RAIL



EN	TR
Material : Hot galvanised	Hammaddesi : Soğuk haddelenmiş sac (DKP)
Plating : Chrome +3 White	Kaplama : Krom +3 Beyaz

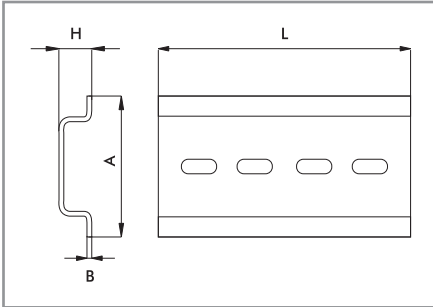
### KAPALI TİP MONTAJ RAYI



Code	A mm.	H mm.	B mm.	L cm.
ODSR02	35	7,5	1,0	100
ODSR03	35	7,5	1,0	200
ODSR04	35	7,5	1,0	300

### DELİKLİ TİP MONTAJ RAYI

### ORTAC PERFORATED DIN RAIL / DELİKLİ TİP



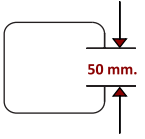

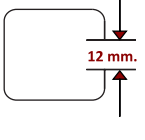

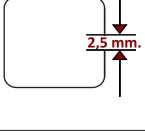
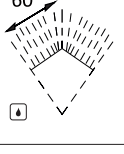
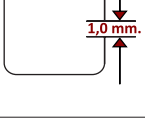
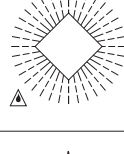
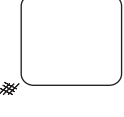
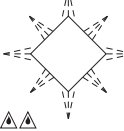
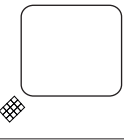

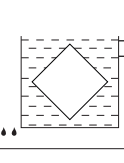
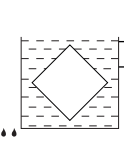
EN	TR
Material : Hot galvanised	Hammaddesi : Soğuk haddelenmiş sac (DKP)
Plating : Chrome +3 White	Kaplama : Krom +3 Beyaz

Code	A mm.	H mm.	B mm.	L cm.
ODSR06	35	7,5	1,0	100
ODSR07	35	7,5	1,0	200
ODSR08	35	7,5	1,0	300



## KORUMA SINIFLARI / PROTECTION CLASS (IP)

IP 68 = IP Letter Code ..... IP  
 1. Hane/Digit ..... 6  
 2. Hane/Digit ..... 8

1. HANE DIGIT	Katkı Cisimlere Karşı Koruma Değerleri <i>Protection From Solid Objects</i>	2. HANE DIGIT	Sıvı Maddeleere Karşı Koruma Değerleri <i>Protection From Liquid Objects</i>
<b>0</b>	Korumasız/ <i>No protection</i>	<b>0</b>	Korumasız/ <i>No protection</i>
<b>1</b>	 <p>50 mm'den büyük katı cisimlere karşı korumalı  <i>Protection against solid objects greater than 50mm in diameter</i></p>	<b>1</b>	 <p>Damlayan suya karşı korumalı  <i>Protection from dripping water</i></p>
<b>2</b>	 <p>12 mm'den büyük katı cisimlere karşı korumalı  <i>Protection against solid objects greater than 12mm in diameter</i></p>	<b>2</b>	 <p>15 dereceye kadar damlayan su  <i>Protection from vertically dripping water tilted up to 15°</i></p>
<b>3</b>	 <p>2,5 mm'den büyük katı cisimlere karşı korumalı  <i>Protection against solid objects greater than 2,5mm in diameter</i></p>	<b>3</b>	 <p>60 dereceye kadar damlayan su  <i>Protection from vertically dripping water 60°degree angle</i></p>
<b>4</b>	 <p>1,0 mm'den büyük katı cisimlere karşı korumalı  <i>Protection against solid objects greater than 1,0mm in diameter</i></p>	<b>4</b>	 <p>Sıçrayan suya karşı korumalı  <i>Protection from splashed water</i></p>
<b>5</b>	 <p>Toza karşı korumalı  <i>Protection from amount of dust that would interfere with the operation of the equipment</i></p>	<b>5</b>	 <p>Su püskürtmesi  <i>Protected against low-pressure jets from all directions - limited ingress permitted</i></p>
<b>6</b>	 <p>Toz geçirmez  <i>Dust - tight</i></p>	<b>6</b>	 <p>Şiddetli deniz dalgası  <i>Protection against heavy seas, or powerful jets of water</i></p>
		<b>7</b>	 <p>Suya daldırma  <i>Protection against effects of immersion from 15cm. to 1m.</i></p>
		<b>8</b>	 <p>Su altında bırakma  <i>Protection against the ingress of water form all directions even under greatly high pressure on the housing</i></p>

# Notes

A large rectangular area with a red dashed border and horizontal dotted lines, intended for writing notes. The lines are evenly spaced and cover the majority of the page below the 'Notes' header.

# Notes

A large rectangular area with a red dashed border and horizontal dotted lines, intended for writing notes. The area is mostly empty, with the word "Notes" written in the top left corner.





# ORTAC<sup>®</sup>

**Ortaclar Elektrik San. Tic. Ltd. Sti.**  
Karaagac Mah. Hadimkoy-Istanbul Cad.  
No:10/1A 34500 B.cekmece/ISTANBUL  
Tel: +90 212 858 19 00  
Fax: +90 212 858 19 59  
e-mail: sales@ortacler.com.tr  
Web: www.ortacler.com

[www.poltechnik.pl](http://www.poltechnik.pl)

**POLTECHNIK**

ELEKTROTECHNIKA PRZEMYSŁOWA