



Switching
Management Solutions

*Industrial
switching
with wide range*



Defining an **interface relay** in simple terms

An interface relay is an electromagnetic switch operated by a relatively small electric current that can turn on or off a much larger electric current.

Which actions are executed?

Switching
Protection
Controlling
Filtering **Isolation**

An interface relay is an electrically operated **switch** that is used where it is necessary to **control** a circuit by a low-power signal.

It provides complete electrical **protective isolation** between control and controlled circuits.

Filtering AC power input signals in order to prevent leakage current.

Saving money and increasing efficiency for PLC outputs.

Reduced PLC outputs to meet energy consumption goals.

Benefits and Advantages

- A widely range of power input from 6V to 230V
- DC and AC supply voltage options
- Integrated RCZ filter option
- Saving wiring time with plug-in bridges
- High quality, long useful life
- Saving space with 6.2mm design
- LED status indicator in order to see actual movement of the contacts
- Labeling with terminal block marking materials
- Highly compact and light weight
- High level of Electromagnetic compatibility (EMC) i.e. maximum immunity to interferences.
- Self-Extinguishing plastic housing
- UL certificate

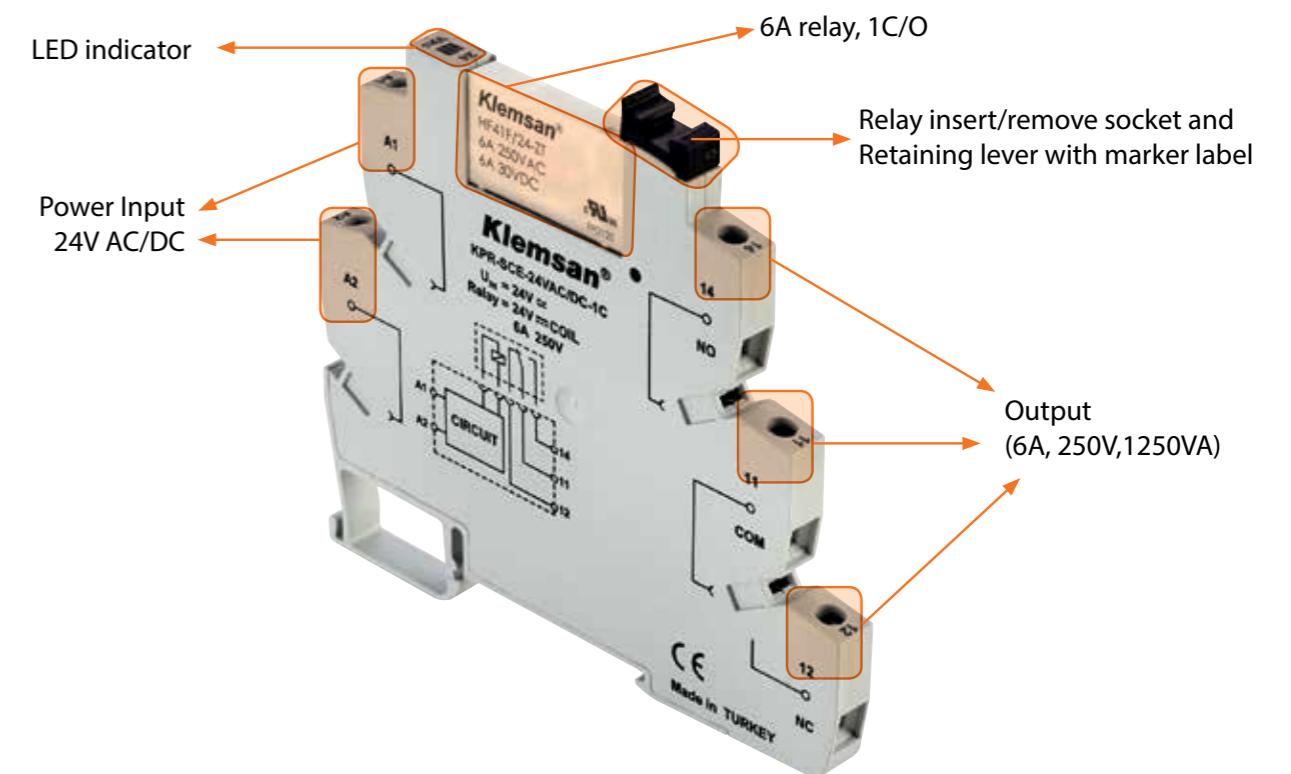
Mounting

Klemsan interface relays are suitable for snap mounting onto 35 mm standards DIN rails.

Which markets are they used frequently?

- PLC automation systems
- Electrical power plants
- Energy management systems
- Medium Voltage Panels
- Industrial Machines

Layout



KPR-SCE-24VAC/DC-1C



Automation System



Reduced PLC outputs to meet energy consumption goals



I/O CONTROL
All models

Chemical Industry



Safe isolation between inputs and outputs for pumps, compressors and air conditioning applications.



CONTROLLING
All models

Machine Control and Safety

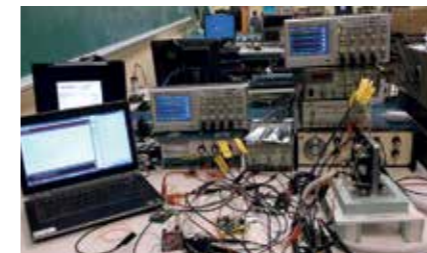


Provides isolation between control and controlled circuits.



ISOLATION
All models

Electrical Test Systems



The interface between test equipment and system/I/O devices with a high switching capacity.



CONTROLLING
All models

Scada System



Lengthen PLC outputs lives by using interface relay to turn many devices on and off simultaneously.



I/O CONTROL
All models

Pneumatic Control



Switching currents or voltage too high for PLC outputs to handle.



SWITCHING
All models

Narrow Cabinets



Only 6.2 mm wide, thus saving considerable space in your enclosures.



SPACE SAVING
All models

Control Panels



It allows to control more than one load with extrarnal pluggable bridges.



I/O CONTROL
All models

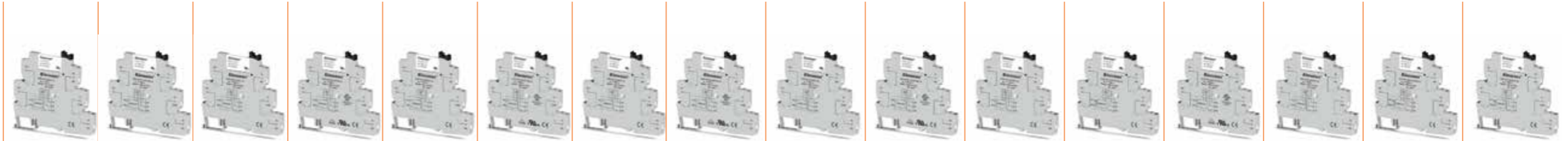
Leakage Current Applications



Preventing to stuck in "ON" state while the relay is switched as "OFF" which is caused by leakage current.







SWITCHING
KPR-SCF series

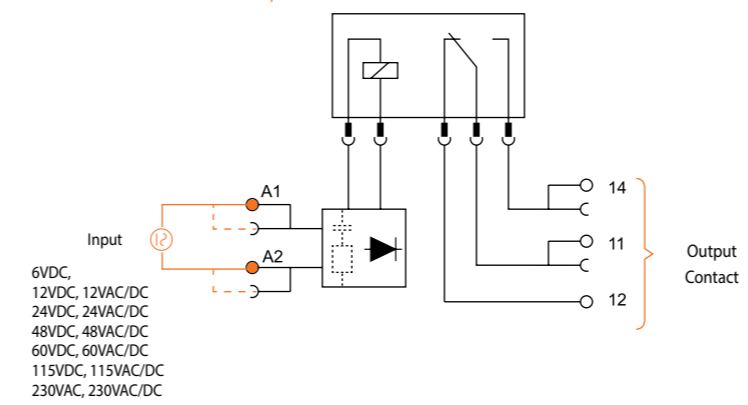


Pre-assembled module (relay + socket)	Type	KPR-SCE-6VDC-1C	KPR-SCE-12VAC/DC-1C	KPR-SCE-12VDC-1C	KPR-SCE-24VAC/DC-1C	KPR-SCE-24VDC-1C	KPR-SCE-48VAC/DC-1C	KPR-SCE-48VDC-1C	KPR-SCE-60VAC/DC-1C	KPR-SCE-60VDC-1C	KPR-SCE-115VAC/DC-1C	KPR-SCE-115VDC-1C	KPR-SCF-115VAC/DC-1C	KPR-SCE-230VAC/DC-1C	KPR-SCE-230VAC-1C	KPR-SCF-230VAC/DC-1C	KPR-SCF-230VAC-1C	
	Definiton	Interface relay module	Interface relay module	Interface relay module	Interface relay module	Interface relay module	Interface relay module	Interface relay module	Interface relay module	Interface relay module	Interface relay module	Interface relay module	Interface relay module with filter	Interface relay module	Interface relay module	Interface relay module with filter	Interface relay module with filter	
	Order Number	270794	270800	270804	270810	270814	270820	270824	270830	270834	270840	270844	270846	270850	270852	270856	270858	
Casing Width(mm)		6,2	6,2	6,2	6,2	6,2	6,2	6,2	6,2	6,2	6,2	6,2	6,2	6,2	6,2	6,2	6,2	
Connection		Screw terminal	Screw terminal	Screw terminal	Screw terminal	Screw terminal	Screw terminal	Screw terminal	Screw terminal	Screw terminal	Screw terminal	Screw terminal	Screw terminal	Screw terminal	Screw terminal	Screw terminal	Screw terminal	
Packaging unit		10 pcs.	10 pcs.	10 pcs.	10 pcs.	10 pcs.	10 pcs.	10 pcs.	10 pcs.	10 pcs.	10 pcs.	10 pcs.	10 pcs.	10 pcs.	10 pcs.	10 pcs.	10 pcs.	
Input	Nominal Voltage(Un)	6VDC	12VAC/DC	12VDC	24VAC/DC	24VDC	48VAC/DC	48VDC	60VAC/DC	60VDC	115VAC/DC	115VDC	115VAC/DC	230VAC/DC	230VAC	230VAC/DC	230VAC	
	Operating voltage range	(0,8 - 1,15) x Un	(0,8 - 1,15) x Un	(0,8 - 1,15) x Un	(0,8 - 1,15) x Un	(0,8 - 1,15) x Un	(0,8 - 1,15) x Un	(0,8 - 1,15) x Un	(0,8 - 1,15) x Un	(0,8 - 1,15) x Un	(0,8 - 1,15) x Un	(0,8 - 1,15) x Un	(0,8 - 1,15) x Un	(0,8 - 1,15) x Un	(0,8 - 1,15) x Un	(0,8 - 1,15) x Un	(0,8 - 1,15) x Un	
	Release voltage	0,2 x Un	0,2 x Un	0,2 x Un	0,2 x Un	0,2 x Un	0,2 x Un	0,2 x Un	0,2 x Un	0,2 x Un	0,2 x Un	0,2 x Un	0,2 x Un	0,2 x Un	0,2 x Un	0,2 x Un	0,2 x Un	
	Integrated RCZ filter	-	-	-	-	-	-	-	-	-	-	-	OK	-	-	OK	OK	
	Power Consumption	AC	-	<0.35VA	-	<0.2VA	-	<0.6VA	-	<0.4VA	-	<0.7VA	-	<1.1VA	<1.3VA	-	<2.3VA	-
	DC	<0.35W	<0.35W	<0.35W	<0.2W	<0.2W	<0.6W	<0.6W	<0.3W	<0.3W	<0.6W	<0.6W	<0.6W	<1.2W	-	<1.2W	-	
Contact Characteristic	Type	1 C/O (SPDT)	1 C/O (SPDT)	1 C/O (SPDT)	1 C/O (SPDT)	1 C/O (SPDT)	1 C/O (SPDT)	1 C/O (SPDT)	1 C/O (SPDT)	1 C/O (SPDT)	1 C/O (SPDT)	1 C/O (SPDT)	1 C/O (SPDT)	1 C/O (SPDT)	1 C/O (SPDT)	1 C/O (SPDT)	1 C/O (SPDT)	
	Material	AgSnO2	AgSnO2	AgSnO2	AgSnO2	AgSnO2	AgSnO2	AgSnO2	AgSnO2	AgSnO2	AgSnO2	AgSnO2	AgSnO2	AgSnO2	AgSnO2	AgSnO2	AgSnO2	
	Coil voltage	5VDC	12VDC	12VDC	24VDC	24VDC	24VDC	24VDC	24VDC	60VDC	60VDC	60VDC	60VDC	60VDC	60VDC	24VDC	60VDC	24VDC
	Coil impedance	147x(1±10%) Ω	212x(1±10%) Ω	212x(1±10%) Ω	3390x(1±15%) Ω	3390x(1±15%) Ω	3390x(1±15%) Ω	3390x(1±15%) Ω	3390x(1±15%) Ω	16600x(1±15%) Ω	16600x(1±15%) Ω	16600x(1±15%) Ω	16600x(1±15%) Ω	16600x(1±15%) Ω	16600x(1±15%) Ω	3390x(1±15%) Ω	16600x(1±15%) Ω	3390x(1±15%) Ω
	Coil consumption	170mW	170mW	170mW	170mW	170mW	170mW	170mW	170mW	210mW	210mW	210mW	210mW	210mW	210mW	170mW	210mW	170mW
	Operate time	10 ms max.	10 ms max.	10 ms max.	10 ms max.	10 ms max.	10 ms max.	10 ms max.	10 ms max.	10 ms max.	10 ms max.	10 ms max.	10 ms max.	10 ms max.	10 ms max.	10 ms max.	10 ms max.	10 ms max.
	Release time	5 ms max.	5 ms max.	5 ms max.	5 ms max.	5 ms max.	5 ms max.	5 ms max.	5 ms max.	5 ms max.	5 ms max.	5 ms max.	5 ms max.	5 ms max.	5 ms max.	5 ms max.	5 ms max.	5 ms max.
	Max. ratings (AC)	6A/250VAC; 1500VA	6A/250VAC; 1500VA	6A/250VAC; 1500VA	6A/250VAC; 1500VA	6A/250VAC; 1500VA	6A/250VAC; 1500VA	6A/250VAC; 1500VA	6A/250VAC; 1500VA	6A/250VAC; 1500VA	6A/250VAC; 1500VA	6A/250VAC; 1500VA	6A/250VAC; 1500VA	6A/250VAC; 1500VA	6A/250VAC; 1500VA	6A/250VAC; 1500VA	6A/250VAC; 1500VA	6A/250VAC; 1500VA
	Max. ratings (DC)	6A/30VDC; 180W	6A/30VDC; 180W	6A/30VDC; 180W	6A/30VDC; 180W	6A/30VDC; 180W	6A/30VDC; 180W	6A/30VDC; 180W	6A/30VDC; 180W	6A/30VDC; 180W	6A/30VDC; 180W	6A/30VDC; 180W	6A/30VDC; 180W	6A/30VDC; 180W	6A/30VDC; 180W	6A/30VDC; 180W	6A/30VDC; 180W	6A/30VDC; 180W
	Mechanical life time	10 ⁷ operations	10 ⁷ operations	10 ⁷ operations	10 ⁷ operations	10 ⁷ operations	10 ⁷ operations	10 ⁷ operations	10 ⁷ operations	10 ⁷ operations	10 ⁷ operations	10 ⁷ operations	10 ⁷ operations	10 ⁷ operations	10 ⁷ operations	10 ⁷ operations	10 ⁷ operations	10 ⁷ operations
	Electrical life time operations (UL approval, 85°C)	NO	3 x 10 ⁴ operations	3 x 10 ⁴ operations	3 x 10 ⁴ operations	3 x 10 ⁴ operations	3 x 10 ⁴ operations	3 x 10 ⁴ operations	3 x 10 ⁴ operations	3 x 10 ⁴ operations	3 x 10 ⁴ operations	3 x 10 ⁴ operations	3 x 10 ⁴ operations	3 x 10 ⁴ operations	3 x 10 ⁴ operations	3 x 10 ⁴ operations	3 x 10 ⁴ operations	3 x 10 ⁴ operations
		NC	1 x 10 ⁴ operations	1 x 10 ⁴ operations	1 x 10 ⁴ operations	1 x 10 ⁴ operations	1 x 10 ⁴ operations	1 x 10 ⁴ operations	1 x 10 ⁴ operations	1 x 10 ⁴ operations	1 x 10 ⁴ operations	1 x 10 ⁴ operations	1 x 10 ⁴ operations	1 x 10 ⁴ operations	1 x 10 ⁴ operations	1 x 10 ⁴ operations	1 x 10 ⁴ operations	1 x 10 ⁴ operations
	Isolation resistance		1000MΩ (500VDC)	1000MΩ (500VDC)	1000MΩ (500VDC)	1000MΩ (500VDC)	1000MΩ (500VDC)	1000MΩ (500VDC)	1000MΩ (500VDC)	1000MΩ (500VDC)	1000MΩ (500VDC)	1000MΩ (500VDC)	1000MΩ (500VDC)	1000MΩ (500VDC)	1000MΩ (500VDC)	1000MΩ (500VDC)	1000MΩ (500VDC)	1000MΩ (500VDC)
	Dielectric Strength	Between relay coil and contacts	4000VAC 1 min.	4000VAC 1 min.	4000VAC 1 min.	4000VAC 1 min.	4000VAC 1 min.	4000VAC 1 min.	4000VAC 1 min.	4000VAC 1 min.	4000VAC 1 min.	4000VAC 1 min.	4000VAC 1 min.	4000VAC 1 min.	4000VAC 1 min.	4000VAC 1 min.	4000VAC 1 min.	4000VAC 1 min.
		Between contacts	1000VAC 1 min.	1000VAC 1 min.	1000VAC 1 min.	1000VAC 1 min.	1000VAC 1 min.	1000VAC 1 min.	1000VAC 1 min.	1000VAC 1 min.	1000VAC 1 min.	1000VAC 1 min.	1000VAC 1 min.	1000VAC 1 min.	1000VAC 1 min.	1000VAC 1 min.	1000VAC 1 min.	1000VAC 1 min.
Permissible ambient temperature	During operation	-40 to +85 °C	-40 to +85 °C	-40 to +85 °C	-40 to +85 °C	-40 to +85 °C	-40 to +85 °C	-40 to +85 °C	-40 to +85 °C	-40 to +85 °C	-40 to +85 °C	-40 to +85 °C	-40 to +85 °C	-40 to +85 °C	-40 to +85 °C	-40 to +85 °C	-40 to +85 °C	
	During storage	-40 to +85 °C	-40 to +85 °C	-40 to +85 °C	-40 to +85 °C	-40 to +85 °C	-40 to +85 °C	-40 to +85 °C	-40 to +85 °C	-40 to +85 °C	-40 to +85 °C	-40 to +85 °C	-40 to +85 °C	-40 to +85 °C	-40 to +85 °C	-40 to +85 °C	-40 to +85 °C	-40 to +85 °C
Relative Humidity		5% .. 85% (no condensation)	5% .. 85% (no condensation)	5% .. 85% (no condensation)	5% .. 85% (no condensation)	5% .. 85% (no condensation)	5% .. 85% (no condensation)	5% .. 85% (no condensation)	5% .. 85% (no condensation)	5% .. 85% (no condensation)	5% .. 85% (no condensation)	5% .. 85% (no condensation)	5% .. 85% (no condensation)	5% .. 85% (no condensation)	5% .. 85% (no condensation)	5% .. 85% (no condensation)	5% .. 85% (no condensation)	
Degree of protection		IP20	IP20	IP20	IP20	IP20	IP20	IP20	IP20	IP20	IP20	IP20	IP20	IP20	IP20	IP20	IP20	
Weight(gr)		32	32	32	32	32	32	32	32	32	32	32	32	32	32	32	32	
Max. cable cross-section		2.5mm ²	2.5mm ²	2.5mm ²	2.5mm ²	2.5mm ²	2.5mm ²	2.5mm ²	2.5mm ²	2.5mm ²	2.5mm ²	2.5mm ²	2.5mm ²	2.5mm ²	2.5mm ²	2.5mm ²	2.5mm ²	
Max. torque		0.4Nm	0.4Nm	0.4Nm	0.4Nm	0.4Nm	0.4Nm	0.4Nm	0.4Nm	0.4Nm	0.4Nm	0.4Nm	0.4Nm	0.4Nm	0.4Nm	0.4Nm	0.4Nm	
Permissible mounting position		any	any	any	any	any	any	any	any	any	any	any	any	any	any	any	any	
Certificates		UL508, IEC EN 61984-2011, IEC EN 61947-1:2010	-	-	OK	-	OK	-	OK	-	OK	-	-	OK	-	-	-	
Accessories and Components		Type	KPR-SCE-6VDC-1C (RELAY SOCKET)	KPR-SCE-12VAC/DC-1C (RELAY SOCKET)	KPR-SCE-12VDC-1C (RELAY SOCKET)	KPR-SCE-24VAC/DC-1C (RELAY SOCKET)	KPR-SCE-24VDC-1C (RELAY SOCKET)	KPR-SCE-48VAC/DC-1C (RELAY SOCKET)	KPR-SCE-48VDC-1C (RELAY SOCKET)	KPR-SCE-60VAC/DC-1C (RELAY SOCKET)	KPR-SCE-60VDC-1C (RELAY SOCKET)	KPR-SCE-115VAC/DC-1C (RELAY SOCKET)	KPR-SCE-115VDC-1C (RELAY SOCKET)	KPR-SCF-115VAC/DC-1C (RELAY SOCKET)	KPR-SCE-230VAC/DC-1C (RELAY SOCKET)	KPR-SCE-230VAC-1C (RELAY SOCKET)	KPR-SCF-230VAC/DC-1C (RELAY SOCKET)	
		Definiton	Interface relay socket (6VDC)	Interface relay socket (12VAC/DC)	Interface relay socket (12VDC)	Interface relay socket (24VAC/DC)	Interface relay socket (24VDC)	Interface relay socket (48VAC/DC)	Interface relay socket (48VDC)	Interface relay socket (60VAC/DC)	Interface relay socket (60VDC)	Interface relay socket (115VAC/DC)	Interface relay socket (115VDC)	Interface relay socket with RCZ filter (115VAC/DC)	Interface relay socket (230VAC/DC)	Interface relay socket (230VAC)	Interface relay socket with RCZ filter (230VAC/DC)	Interface relay socket with RCZ filter (230VAC)
		Order Number	270795	270801	270805	270811	270815	270821	270825	270831	270835	270841	270845	270847	270851	270853	270857	270859
		Packaging unit	10 pcs.	10 pcs.	10 pcs.	10 pcs.	10 pcs.	10 pcs.	10 pcs.	10 pcs.	10 pcs.	10 pcs.	10 pcs.	10 pcs.	10 pcs.	10 pcs.	10 pcs.	10 pcs.

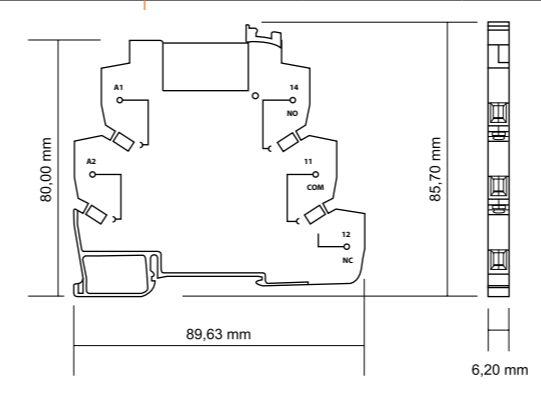


Type		KPR-SCE-6VDC-1C	KPR-SCE-12VAC/DC-1C	KPR-SCE-12VDC-1C	KPR-SCE-24VAC/DC-1C	KPR-SCE-24VDC-1C	KPR-SCE-48VAC/DC-1C	KPR-SCE-48VDC-1C	KPR-SCE-60VAC/DC-1C	KPR-SCE-60VDC-1C	KPR-SCE-115VAC/DC-1C	KPR-SCE-115VDC-1C	KPR-SCF-115VAC/DC-1C	KPR-SCE-230VAC/DC-1C	KPR-SCE-230VAC-1C	KPR-SCF-230VAC/DC-1C	KPR-SCF-230VAC-1C	
Accessories and Components	 Relay Type Definiton Order Number Packaging unit	Slim type 5VDC relay	Slim type 12VDC relay	Slim type 12VDC relay	Slim type 24VDC relay	Slim type 24VDC relay	Slim type 24VDC relay	Slim type 24VDC relay	Slim type 60VDC relay	Slim type 60VDC relay	Slim type 60VDC relay	Slim type 60VDC relay	Slim type 60VDC relay	Slim type 60VDC relay	Slim type 24VDC relay	Slim type 60VDC relay	Slim type 24VDC relay	
		Relay for 270794 and 270795	Relay for 270800 and 270801	Relay for 270804 and 270805	Relay for 270810 and 270811	Relay for 270814 and 270815	Relay for 270820 and 270821	Relay for 270824 and 270825	Relay for 270830 and 270831	Relay for 270834 and 270835	Relay for 270840 and 270841	Relay for 270844 and 270845	Relay for 270846 and 270847	Relay for 270850 and 270851	Relay for 270852 and 270853	Relay for 270856 and 270857	Relay for 270858 and 270859	
		095043	095042	095042	095041	095041	095041	095041	095041	095040	095040	095040	095040	095040	095040	095041	095040	095041
		10 pcs.	10 pcs.	10 pcs.	10 pcs.	10 pcs.	10 pcs.	10 pcs.	10 pcs.	10 pcs.	10 pcs.	10 pcs.	10 pcs.	10 pcs.	10 pcs.	10 pcs.	10 pcs.	10 pcs.
	 Plug-in bridge-16 Type Definiton Order Number Packaging unit	TK-KPR-S (KPR-SCE BRIDGE/16)																
		Plug-in bridge for 16 hole																
		476605																
		25 pcs.																
	 Plug-in bridge-8 Type Definiton Order Number Packaging unit	TK-KPR-S (KPR-SCE BRIDGE/8)																
		Plug-in bridge for 8 hole																
		476606																
		50 pcs.																
 Dekafix Type Definiton Order Number Packaging unit	DG 10/6T																	
	Terminal Labels for interface relays																	
	505390																	
	360 pcs.																	

Schematics



Dimensional Drawings



Klemsan® PLC Röle / Interface Relay

Tip / Type	Giriş tipi / Input type	Sipariş no / Order no
KPR-CIE-6VDC-1C	6V DC	271 504
KPR-CIE-12VAC/DC-1C	12V AC/DC	271 510
KPR-CIE-12VDC-1C	12V DC	271 514
KPR-CIE-24VAC/DC-1C	24V AC/DC	271 520
KPR-CIE-24VDC-1C	24V DC	271 524
KPR-CIE-48VAC/DC-1C	48V AC/DC	271 530
KPR-CIE-48VDC-1C	48V DC	271 534
KPR-CIE-60VAC/DC-1C	60V AC/DC	271 540

AKSESUARLAR / ACCESSORIES

Tip / Type	Paket / Packaging	Sip. no / Or. no
Nihayet plakası / End plate	10 adet / 10 pcs.	450 389
2'li Köprü / Plug-in bridge for 2 hole	25 adet / 25 pcs.	470 112
3'lü Köprü / Plug-in bridge for 3 hole	20 adet / 20 pcs.	470 113
4'lü Köprü / Plug-in bridge for 4 hole	15 adet / 15 pcs.	470 114
5'li Köprü / Plug-in bridge for 5 hole	10 adet / 10 pcs.	470 115

Kontakt bilgileri

Kontakt tipi	1 CO
Kontakt malzemesi	AgSnO ₂
Kontakt kapasitesi (cosφ=1)	6A 250VAC / 30VDC
Maksimum anahtarlama gerilimi	400VAC / 125VDC
Maksimum anahtarlama akımı	6A
Maksimum anahtarlama gücü	1500VA / 180W
Mekanik ömür	1 x 10 ⁷ anahtarlama
Elektriksel ömür (UL onayı)	(NO) 3 x 10 ⁴ anahtarlama (85°C) (NC) 1 x 10 ⁴ anahtarlama (85°C)

Genel

İzolasyon direnci	1000MΩ (500VDC)
Dielektrik dayanımı	röle bobini ve kontakları arası 4000VAC 1 dakika
	röle kontakları arası 1000VAC 1 dakika
Çekme süresi (nominal gerilimde)	10msn maks.
Bırakma süresi (nominal gerilimde)	5msn maks.
Bağıl nem	%5 .. %85 (Yoğuşma olmadan)
Çalışma sıcaklığı	-40°C .. +85°C

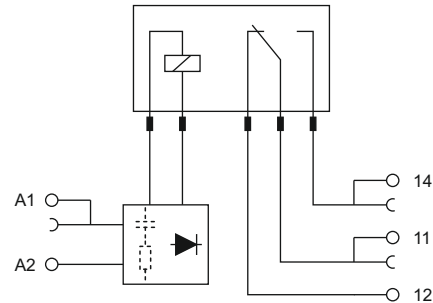
Giriş

Giriş gerilimi (U _N)	6VDC, 12V, 24V, 48V, 60V, 115V, 230V(DC, AC/DC), 230VAC
Röle çekme gerilimi	%80 x U _N
Röle bırakma gerilimi	%20 x U _N
Kullanılan röle (bobin)	6VDC 5VDC, 170mW
	12V (DC, AC/DC) 12VDC, 170mW
	24V,48V (DC, AC/DC) 24VDC, 170mW
	60V,115V, 230V (DC, AC/DC) 60VDC, 210mW
	230V AC 24VDC, 170mW

Diğer

Röle indikatörü	Yeşil LED
Bağlantı şekli	Yay baskılı
Maksimum kablo kesiti	2.5mm ²
Maksimum tork	0.4Nm
Montaj	Raya montaj
Montaj rayı	MR 35 x 7.5 / MR 35 x 15
Paketleme	10 adet

Blok Şeması / Block Diagram:



*** NOT: Ürün isminde görülen "F" harfi, ilgili üründe RCZ filtresi bulunduğunu gösterir.

*** NOTE: The letter "F" which is seen in product name, indicates related product has internal RCZ filter.

Tip / Type	Giriş tipi / Input type	Sipariş no / Order no
KPR-CIE-60VDC-1C	60V DC	271 544
KPR-CIE-115VAC/DC-1C	115V AC/DC	271 550
KPR-CIE-115VDC-1C	115V DC	271 554
KPR-CIF-115VAC/DC-1C	115V AC/DC	271 556
KPR-CIE-230VAC/DC-1C	230V AC/DC	271 560
KPR-CIE-230VAC-1C	230V AC	271 562
KPR-CIF-230VAC/DC-1C	230V AC/DC	271 566
KPR-CIF-230VAC-1C	230V AC	271 568

AKSESUARLAR / ACCESSORIES

Tip / Type	Paket / Packaging	Sip. no / Or. no
10'lu köprü / Plug-in bridge for 10 hole	5 adet / 5 pcs.	470 119
DG 6/5 - Etiket / Label	440 adet / 440 pcs.	505 330
DB 5 - Etiket / Label	500 adet / 500 pcs .	505 850
11.2 Şerit etiket / Strip label	1 adet / 1 pc.	1020100

Contact data

Contact type	1 CO
Contact material	AgSnO ₂
Contact rating (cosφ=1)	6A 250VAC / 30VDC
Max. switching voltage	400VAC / 125VDC
Max. switching current	6A
Max. switching power	1500VA / 180W
Mechanical life	1 x 10 ⁷ operations
Electrical life (UL approval)	(NO) 3 x 10 ⁴ operations (85°C) (NC) 1 x 10 ⁴ operations (85°C)

General

Isolation resistance	1000MΩ (500VDC)
Dielectric strength	between relay coil and contacts 4000VAC 1 min.
	between relay contacts 1000VAC 1 min.
Operate time (at nominal voltage)	10ms max.
Release time (at nominal voltage)	5ms max.
Humidity	%5 .. %85 (non-condensing)
Operating temperature	-40°C .. +85°C

Input

Input voltage (U _N)	6VDC, 12V, 24V, 48V, 60V, 115V, 230V(DC, AC/DC), 230VAC
Operate voltage	%80 x U _N
Release voltage	%20 x U _N
Relay type (coil)	6VDC 5VDC, 170mW
	12V (DC,AC/DC) 12VDC, 170mW
	24V,48V (DC, AC/DC) 24VDC, 170mW
	60V,115V, 230V (DC, AC/DC) 60VDC, 210mW
	230V AC 24 VDC, 170mW

Other

Relay indicator	Green LED
Connection type	Cage Clamp
Max. cable cross-section	2.5mm ²
Max. torque	0.4Nm
Mounting type	Rail mounted
Mounting rail	MR 35 x 7.5 / MR 35 x 15
Packaging unit	10 pcs.

Boyutlar / Dimensions:

